



# SK3525

RF SAW Filter

Revision 0 : January 2018

MSL 3 Device



- Features
- Specifications
- Matching Configuration
- Package Dimension
- Typical Performance
- Package
- Reflow Temperature

## Features

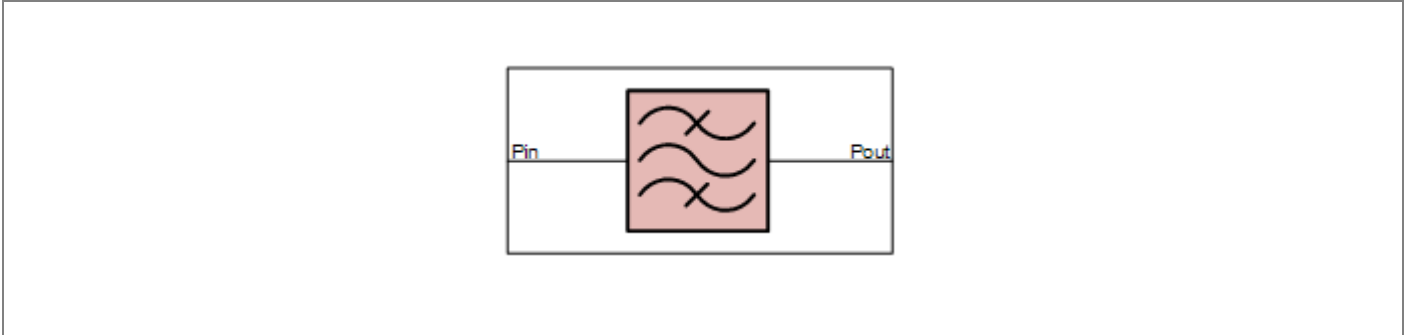
- ✧ For RF SAW filter
- ✧ Single-ended operation
- ✧ CSP Package
- ✧ RoHS compliant (2002/95/EC), Pb-free

## Specifications

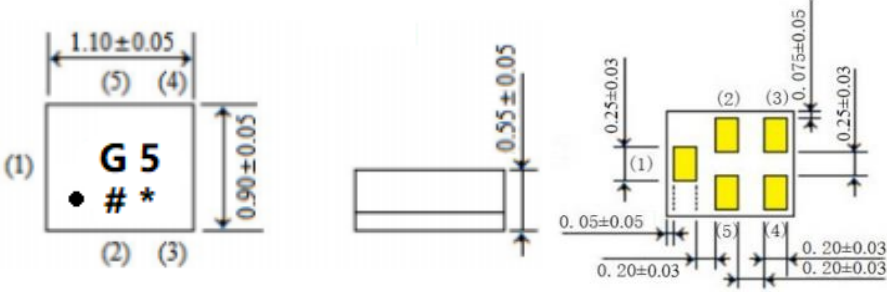
Parameter		Unit	Minimum	Typical	Maximum
Frequency range		MHz	1166.22	1176.45	1186.68
Insertion Loss(1166.22-1186.68MHz) (-30~85°C)		dB		1.0	1.6
Insertion Loss(1166.22-1186.68MHz) (25°C)		dB		1.0	1.5
VSWR	@RX port (1166.22-1186.68MHz) (-30~85°C)			1.4	2.0
	@ Ant port (1166.22-1186.68MHz) (-30~85°C)			1.4	2.0
Absolute Attenuation	699-960MHz	dB	35	43	
	1427-1511MHz	dB	30	40	
	1710-2200MHz	dB	30	36	
	2300-2690MHz	dB	30	33	
	3400-3800MHz	dB	20	29	
	5150-5950MHz	dB	20	22	
Harmonics	2nd harmonics Pin =Pmax, LTE 5MHz, 1RB, 50% DC(TDD) or CW(FDD), VSWR<=4:1,25°C	dBm			-40
	3rd harmonics Pin =Pmax, LTE 5MHz, 1RB, 50% DC(TDD) or CW(FDD), VSWR<=4:1,25°C	dBm			-40
	other high-order harmonics (<=12.75G) Pin =Pmax, LTE 5MHz, 1RB, 50% DC(TDD) or CW(FDD), VSWR<=4:1,25°C	dBm			-40
	2nd harmonics Pin =Pmax, LTE 5MHz, 1RB, 50% DC(TDD) or CW(FDD), VSWR<=4:1, 15~85°C	dBm			-36
	3rd harmonics	dBm			-36

	<i>Pin =Pmax, LTE 5MHz,1RB, 50% DC(TDD) or CW(FDD), VSWR&lt;=4:1,15~85°C</i>				
	<i>other high-order harmonics (&lt;=12.75G) Pin =Pmax, LTE 5MHz,1RB, 50% DC(TDD) or CW(FDD), VSWR&lt;=4:1,15~85°C</i>	dBm			-36
	<i>MSL</i>	-	3		
	<i>ESD</i>	V	> 100		
<i>Input RF power</i>	<i>Pin max @ Ant Port: 699-960MHz,1427-2690MHz(TX band)</i>	dBm	15dBm, CW, 3000 h, 50 °C		
	<i>Pin max @ Ant port: 1166.22-1186.68 MHz(RX band)</i>	dBm	10dBm, CW, 3000 h, 50 °C		
	<i>Ambient Temperature</i>	°C	25		
	<i>Operating Temperature Range</i>	° C	-30	-	+85
	<i>Storage Temperature Range</i>	° C	-40	-	+85
	<i>Package Size</i>	CSP1.1*0.9			

### Matching Configuration



### Package Dimension



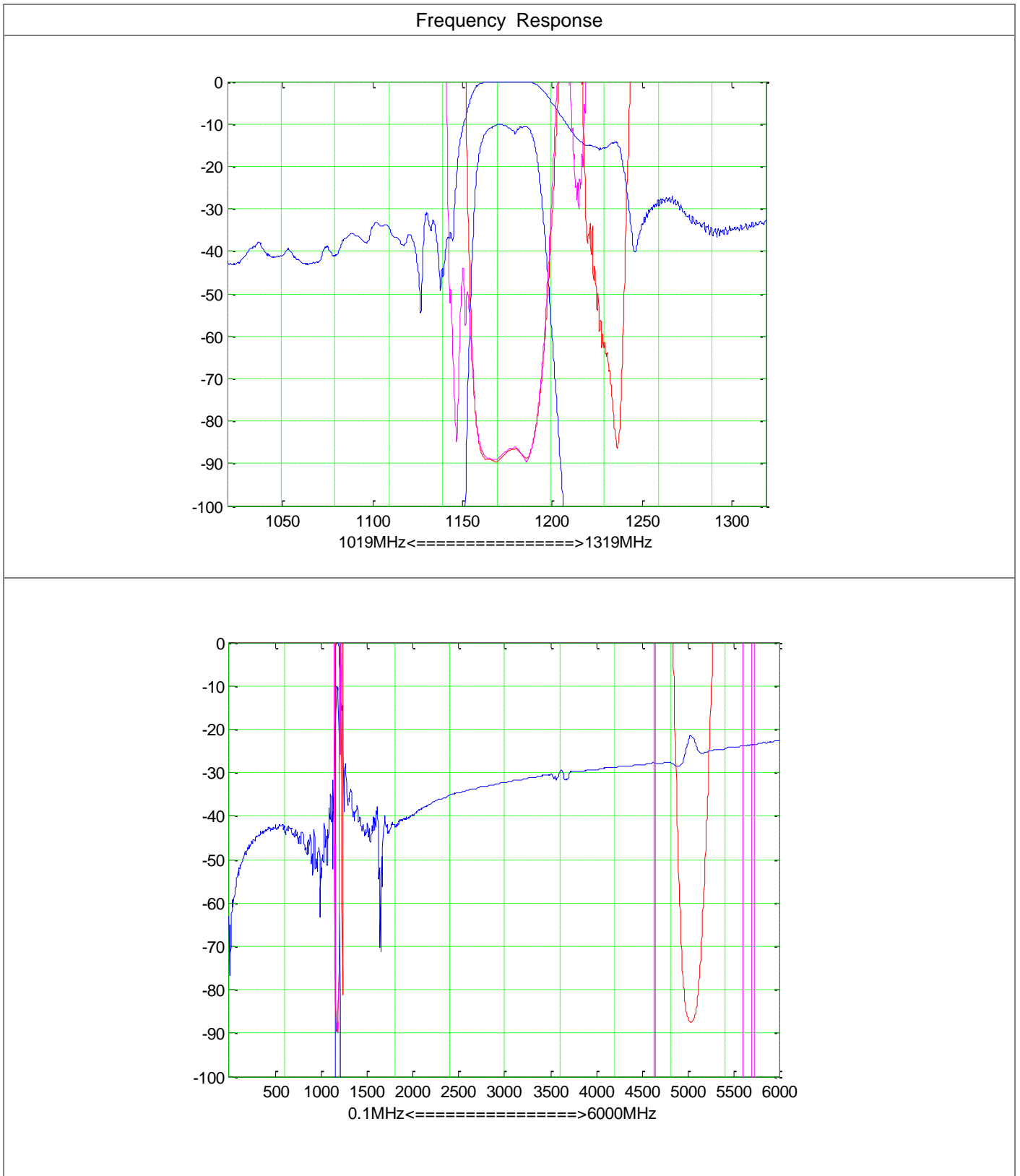
Marking Configuration:

- 1) G 5: Series Number
- 2) #: Month Code
- 3) \*: Daily Code
- 4) •: Dot Marking

PIN NO.	(1)	(2)	(3)	(4)	(5)
PIN Name	Input	GND	GND	Output	GND

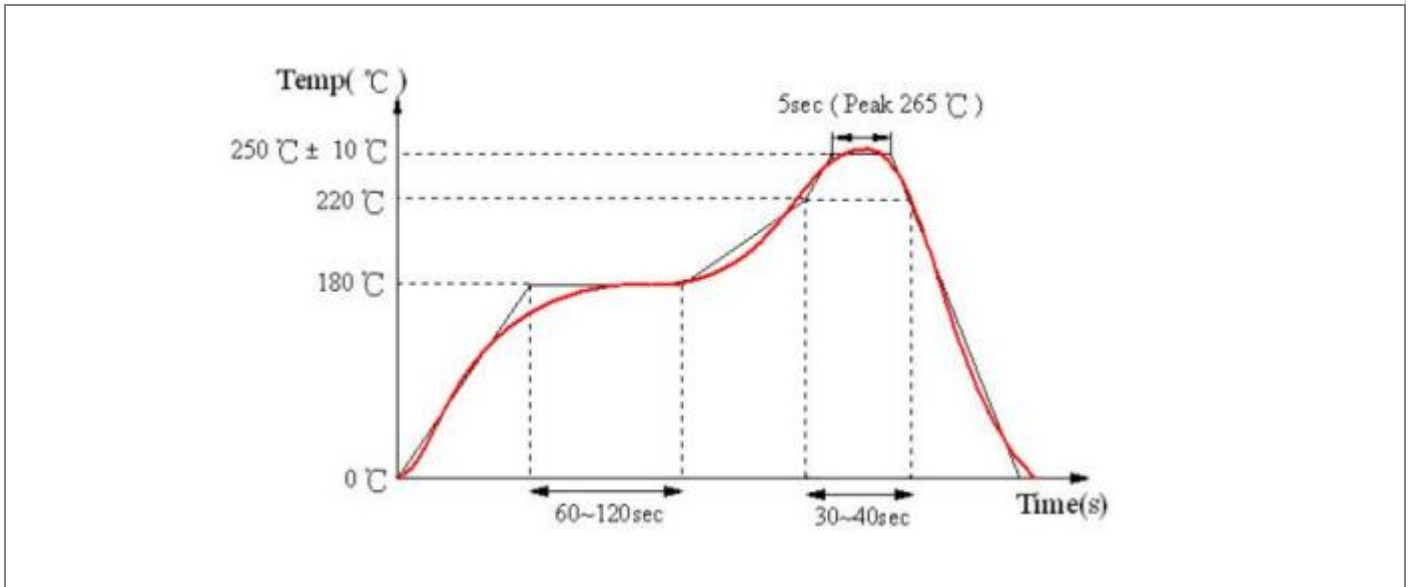
Unit: mm

Typical Performance





## Reflow Temperature



## X-ON Electronics

Largest Supplier of Electrical and Electronic Components

*Click to view similar products for [Signal Conditioning](#) category:*

*Click to view products by [Suntek](#) manufacturer:*

Other Similar products are found below :

[MAPDCC0001](#) [MAPDCC0004](#) [PD0409J5050S2HF](#) [HHS-109-PIN](#) [AFS14A35-1591.50-T3](#) [DS-323-PIN](#) [DSS-313-PIN](#) [B39321R801H210](#)  
[1A0220-3](#) [JP510S](#) [LFB212G45SG8C341](#) [LFB322G45SN1A504](#) [LFL182G45TC3B746](#) [SF2159E](#) [30057](#) [AFS1575.42S4-T](#) [FM-104-PIN](#)  
[CER0813B](#) [MAPDCC0005](#) [3A325](#) [40287](#) [41180](#) [ATB3225-75032NCT](#) [BD0810N50100AHF](#) [JHS-115-PIN](#) [DC0710J5005AHF](#)  
[DC2327J5005AHF](#) [43020](#) [LFB2H2G60BB1C106](#) [LFL15869MTC1B787](#) [X3C19F1-20S](#) [XC3500P-20S](#) [10013-20](#) [SF2194E](#)  
[CDBLB455KCAX39-B0](#) [TGL2208-SM, EVAL](#) [RF1353C](#) [051157-0000](#) [PD0922J5050D2HF](#) [1E1305-3](#) [1F1304-3S](#) [1G1304-30](#)  
[B0922J7575AHF](#) [10017-3](#) [TP-103-PIN](#) [BD1222J50200AHF](#) [BD1722J50100AHF](#) [2450DP39K5400E](#) [BD0810J50150AHF](#)  
[BD1722J50200AHF](#)