

Standard and Miniature Single Assembly 5-WAY® Binding Posts

5-WAY® Binding Posts have positive-stop captive thumbnuts that allow space to make connections yet reduce the likelihood of accidentally contacting current carrying parts. They are available in red, white, blue, yellow, black and green. BP31 fluted nut types have insulating parts of Lexan® polycarbonate resin which has a higher DC insulation resistance at all operating temperatures and significantly lower capacitance which provides greater resistance to high frequency leakage effects. All others have nylon plastic per MIL-P20693A, Type IV. Current carrying parts are gold, nickel or tin

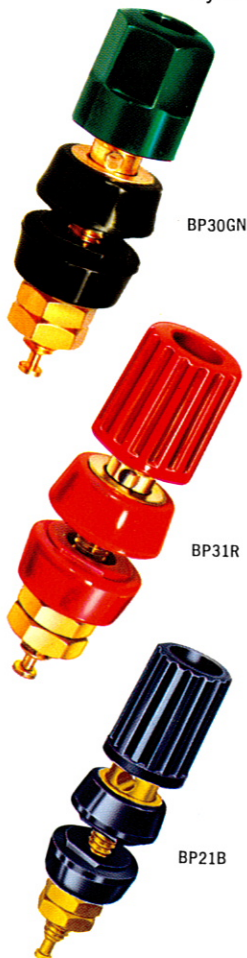
plated brass for improved conductivity and corrosion resistance. Metal parts are recessed for user and instrument protection and none touch the mounting panel. All are available in single packs or 100-quantity bulk packs. They are Underwriters Laboratories recognized components.

Standard Hex Nut and Fluted Nut Types - Rated for 30 A, 1000 V working.

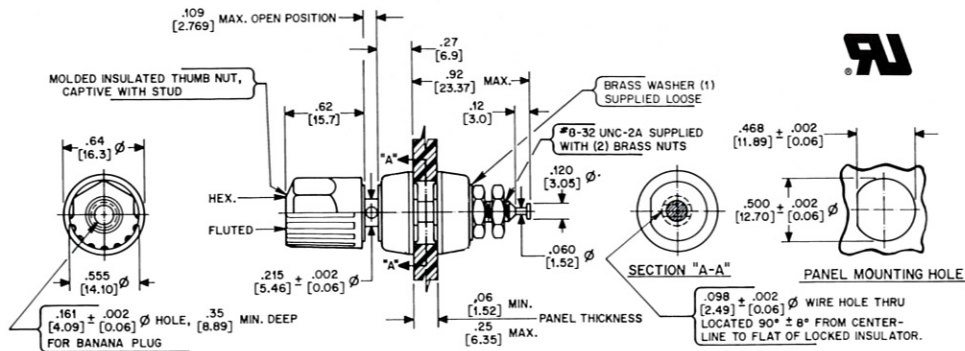
Miniature Fluted Nut Types - Rated for 15A, 1000 V working.

Standard Hex Nut Type**	Standard Fluted Nut Type**	Miniature Fluted Nut Type**	Color Plastic Parts	Plating on Brass Parts
BP30R	BP31R	BP21R	Red	Gold
BP30WT	BP31WT	BP21WT	White	Gold
BP30BL	BP31BL	BP21BL	Blue	Gold
BP30Y	BP31Y	BP21Y	Yellow	Gold
BP30B	BP31B	BP21B	Black	Gold
BP30GN	BP31DG	BP21GN	Green	Gold

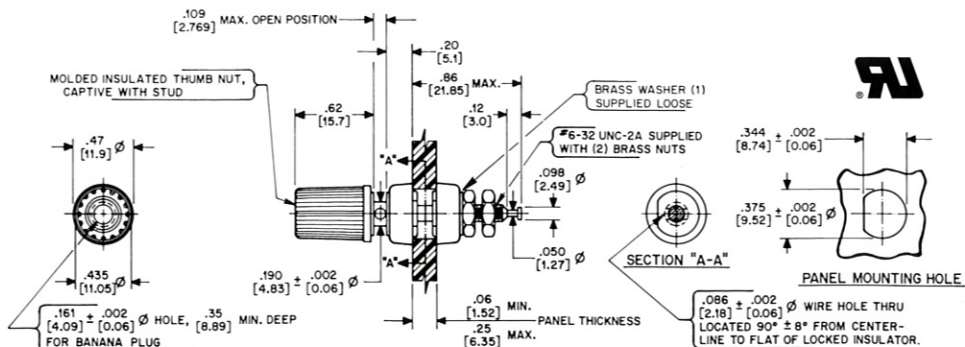
** Type numbers given are for binding posts with gold plated brass parts. For nickel plated brass parts add suffix N, for tin plated brass parts add suffix T; for example, BP30GNN (nickel) or BP30GNT (tin). Order single pack quantities by adding suffix "-1 PKG," for example BP21R- 1PKG; order bulk pack quantities by adding suffix "-B PKG", for example BP21R-B PKG.



TYPES BP30 and BP31 DIMENSIONS

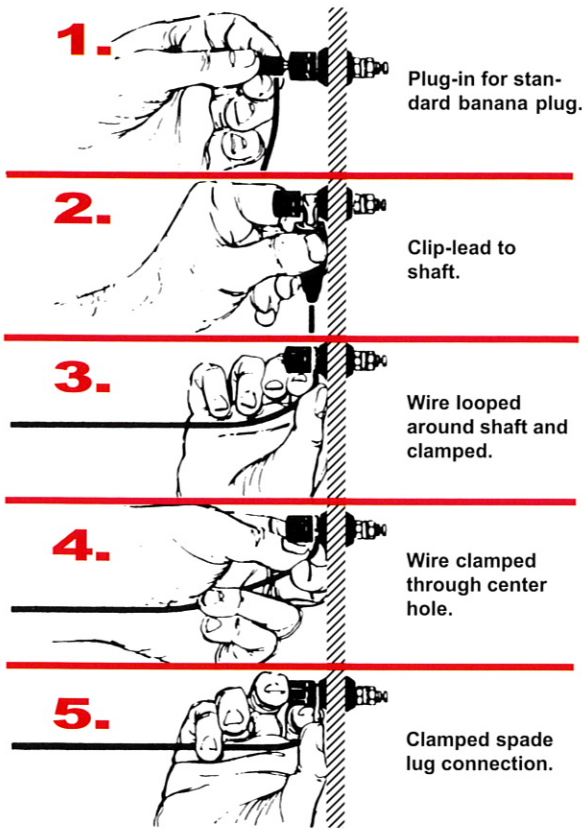


TYPE BP21 DIMENSIONS



*Lexan is a General Electric Trademark

Larger Stud Single Assembly 5-WAY® Binding Posts



Larger stud single assembly types have the same features as types described on page 2 but have a larger #10-32 stud for behind the panel connections. Grounding type is made of polished nickel plated brass.

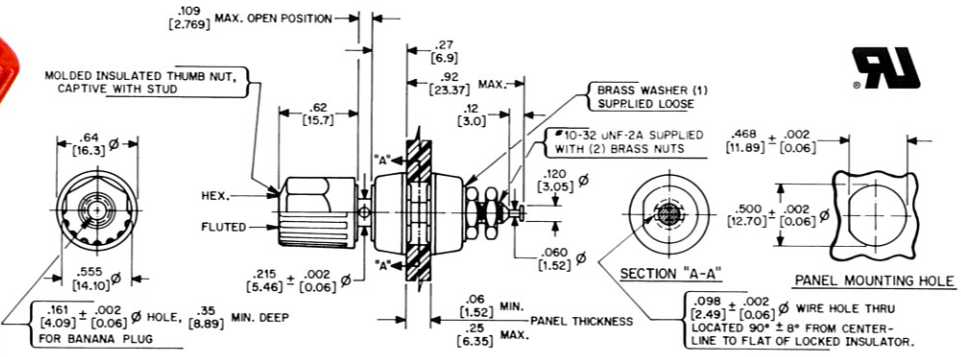
Larger Stud Hex Nut and Fluted Nut Types -
Rated for 30A, 1000 V working.

All Metal Grounding Type BP30GP10 - For making rapid connections to ground.

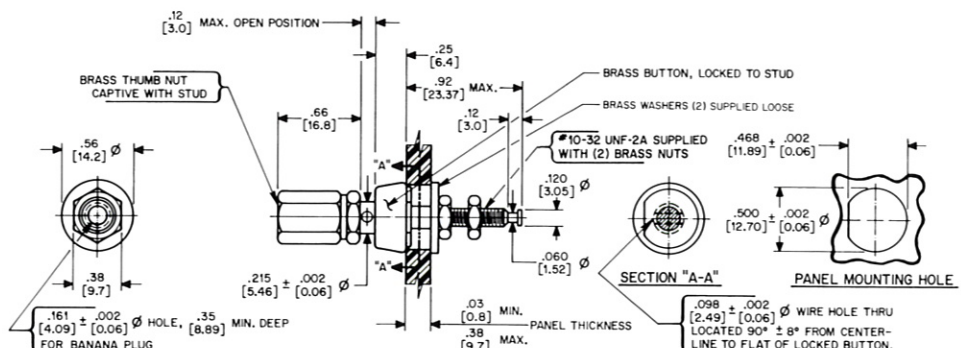
Larger Stud Hex Nut Type**	Larger Stud Fluted Nut Type**	Color of Plastic Parts	Plating On Brass Parts
BP30-10R	BP31-10R	Red	Gold
BP30-10WT	BP31-10WT	White	Gold
BP30-10BL	BP31-10BL	Blue	Gold
BP30-10Y	BP31-10Y	Yellow	Gold
BP30-10B	BP31-10B	Black	Gold
BP30-10GN	BP31-10DG	Green	Gold
BP30GP10	N/A	N/A	Nickel

** Type numbers given are for larger stud binding posts with gold plated brass parts, except BP30GP10 which is nickel plated. For nickel plated brass parts add suffix N, for tin plated brass parts add suffix T; for example, BP30-10GNN (nickel) or BP30-10GNT (tin). Order single pack quantities by adding suffix "-1 PKG", for example BP30-10B-1 PKG; order bulk pack quantities by adding suffix "-B PKG", for example BP30-10B-B PKG.

TYPES BP30-10 and BP31-10 DIMENSIONS



TYPE BP30GP10 DIMENSIONS



X-ON Electronics

Largest Supplier of Electrical and Electronic Components

Click to view similar products for Superior Electric manufacturer:

Other Similar products are found below :

[030098-001](#) [051544-001](#) [060117-001](#) [065206-001](#) [10C-2](#) [10C-3](#) [116CU](#) [117CT](#) [117CU](#) [122819-002](#) [124737-000](#) [126661-001-PA](#) [126662-001-PA](#) [126U](#) [12C](#) [151035-001](#) [176012-001](#) [176012-002](#) [203502-178-AB](#) [203510-185-AT](#) [209035-001](#) [21-40](#) [216CU](#) [216CU-2](#) [216CU-3](#) [217CU](#) [218832-001](#) [22](#) [226-2](#) [236B](#) [3PN116C](#) [3PN117C](#) [56008-001](#) [65381-001](#) [9T92A1005](#) [A201052G6](#) [A201052G7](#) [A201053-061](#) [A201053G10](#) [BP176021-001](#) [BP21-2BR-BPKG](#) [BP21-2BRN-1PKG](#) [BP21B](#) [BP21BL-1PKG](#) [BP21R](#) [BP30-10-B](#) [BP30-10B-1PKG](#) [BP30-10BL-1PKG](#) [BP30-10GN-B PKG](#) [BP30-10R-1PKG](#)