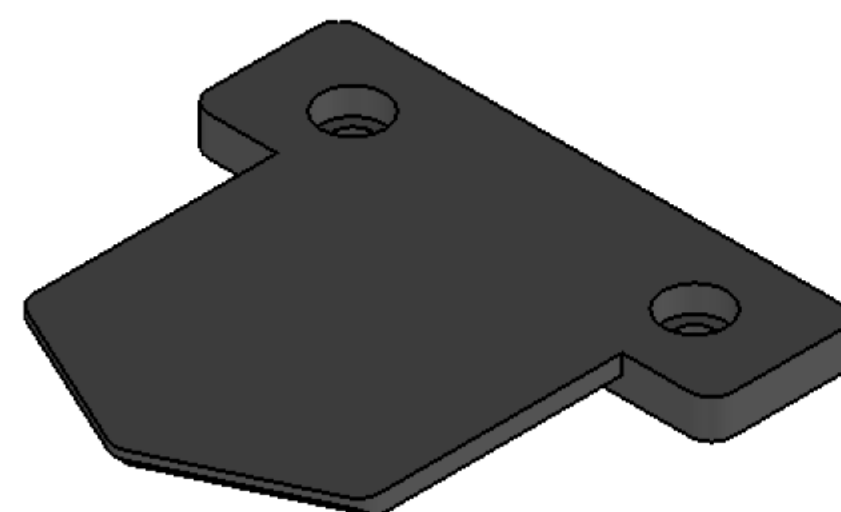
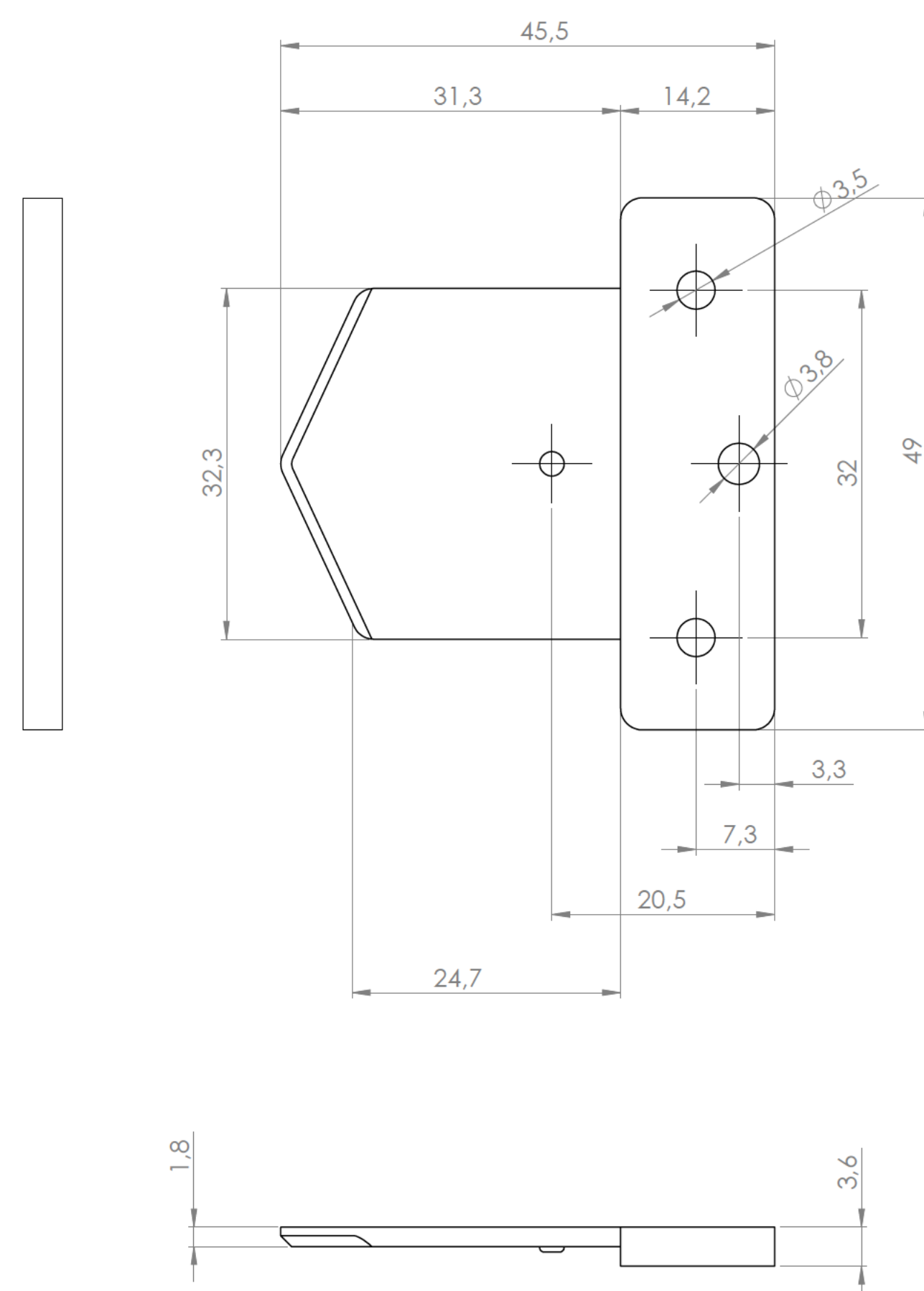
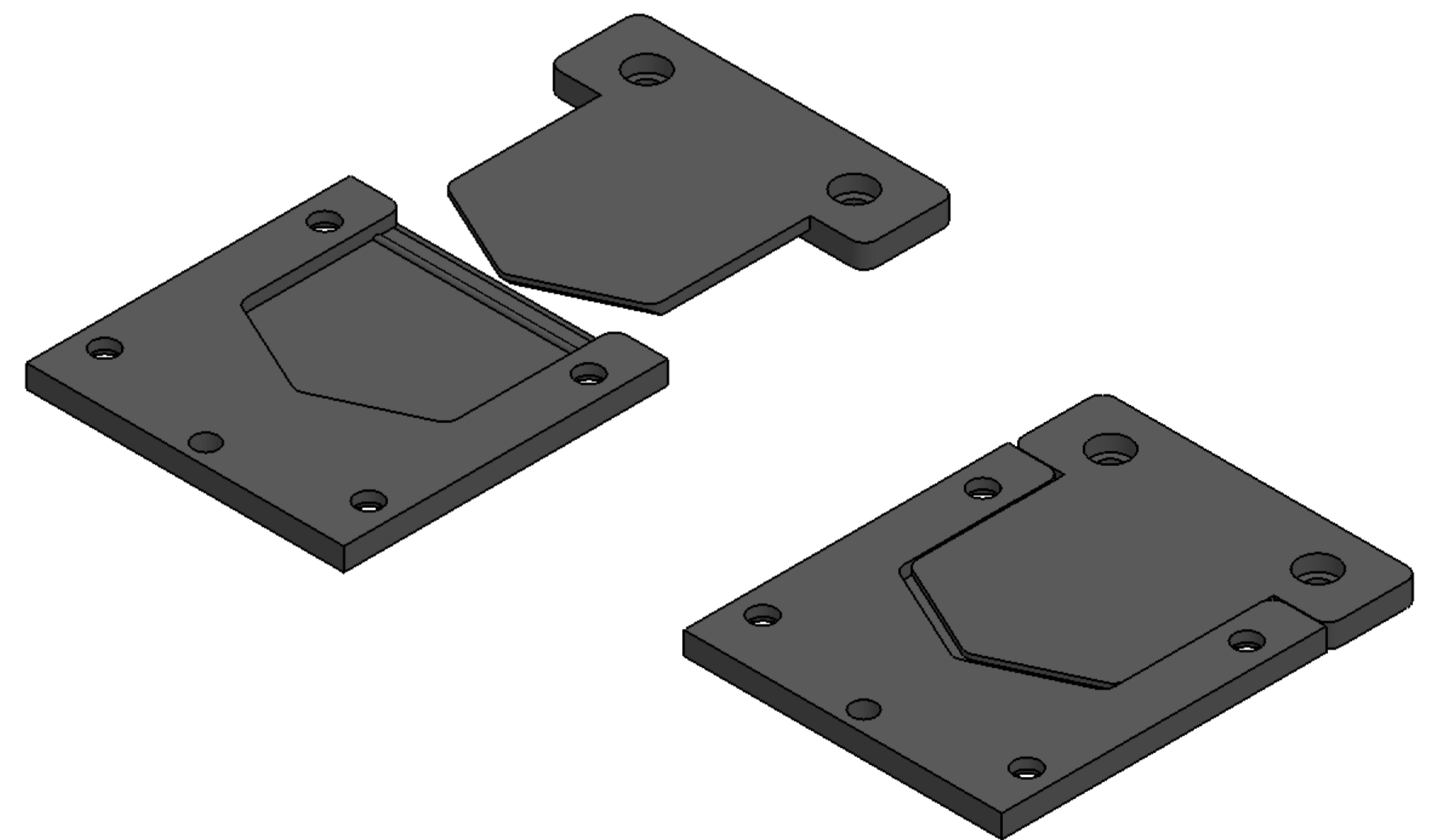
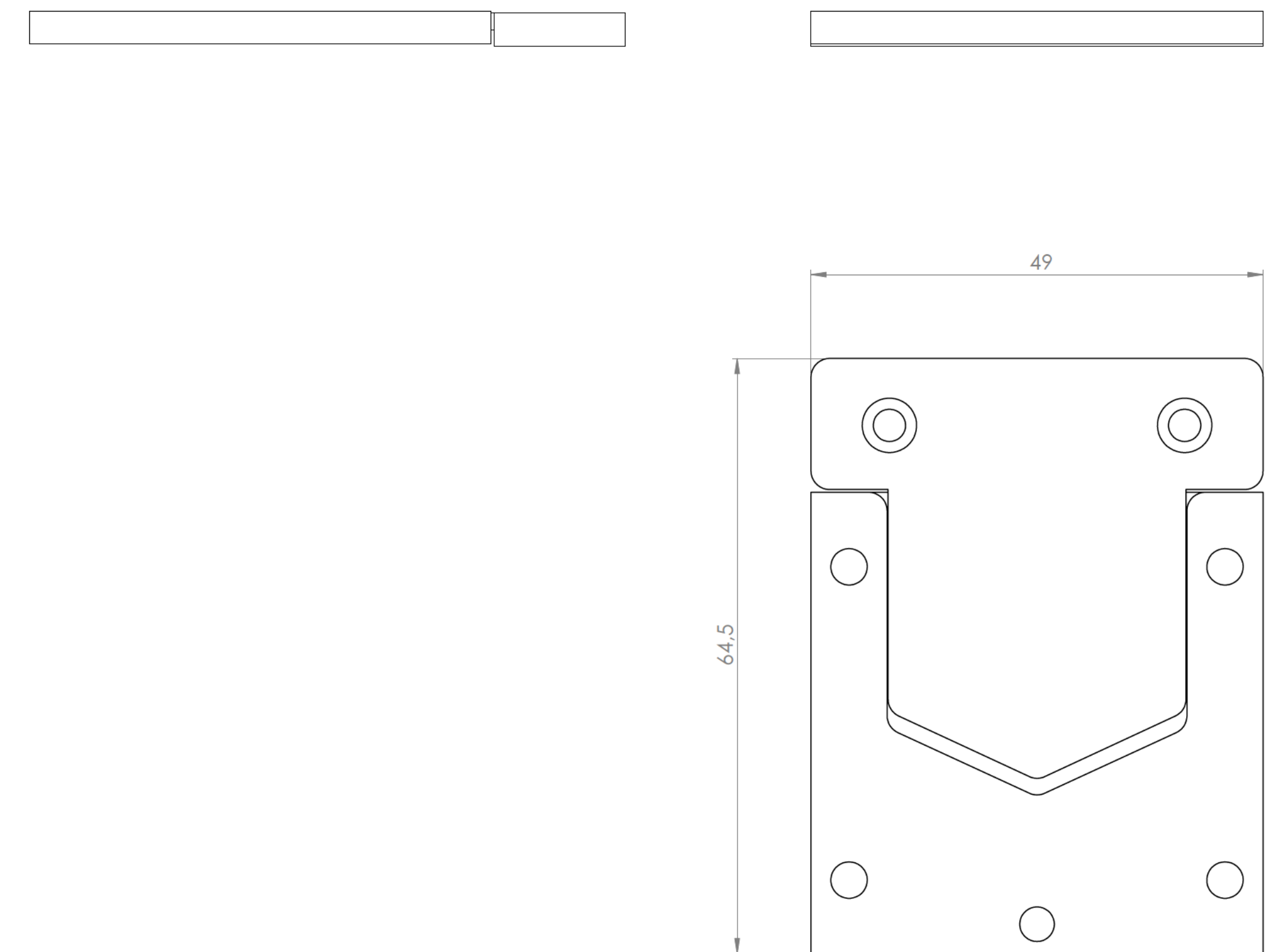



Base  
Base



Acoplamiento  
Coupling



Conjunto  
Assembly

| Posición / Position | Descripción / Description | Referencia / Reference | Peso / Weight | Unidades / Units | Peso / Weight | Dimensiones exteriores / External dimensions | Material | Acabado / Finish | Al copiar esta información no se actualizará. / Copy for information will not be updated  |  |
|---------------------|---------------------------|------------------------|---------------|------------------|---------------|--|----------|------------------|---|--|
| 1                   | Base / Base               |                        |               | 1                | 112           | 64.5x49x3.5                                  | ABS      | Mate / Mat       | Modelo / Model  |  |
| 2                   | Acoplamiento / Coupling   |                        |               | 1                |               |  |          |                  | CL3   |  |
| 3                   |                           |                        |               |                  |               |  |          |                  |    |  |
| 4                   |                           |                        |               |                  |               |  |          |                  | <small>Este documento contiene información propiedad de SUPERTRONIC, S.A. y es ofrecida en condiciones de uso informativo con la confianza que no será reproducida ni copiada y no será utilizada o incorporada en cualquier producto de otra empresa sin el consentimiento de SUPERTRONIC, S.A. and is intended subject to the conditions that the information be retained in confidence not be reproduced or copied and not be used or incorporated in any product.</small> |  |
| 5                   |                           |                        |               |                  |               |  |          |                  | <small>Subject to technical modification without prior notice. / Typographical and other errors do not justify any claim for damages. / All dimensions should be verified using an actual moulded part.</small>   |  |
| 6                   |                           |                        |               |                  |               |  |          |                  | <small>www.supertronic.com    superior@supertronic.com    +34 932 980 257</small>   |  |
| 7                   |                           |                        |               |                  |               |  |          |                  | <small>Todas las cotas son en mm. / All dimensions are in mm.</small>   |  |
| 8                   |                           |                        |               |                  |               |  |          |                  | <small>Nombre / Name: Joaop M    Fecha / Date: 9-2-2017    A1</small>   |  |
| 9                   |                           |                        |               |                  |               |  |          |                  | <small>Este documento contiene información propiedad de SUPERTRONIC, S.A. y es ofrecida en condiciones de uso informativo con la confianza que no será reproducida ni copiada y no será utilizada o incorporada en cualquier producto de otra empresa sin el consentimiento de SUPERTRONIC, S.A. and is intended subject to the conditions that the information be retained in confidence not be reproduced or copied and not be used or incorporated in any product.</small> |  |
| 10                  |                           |                        |               |                  |               |  |          |                  | <small>Subject to technical modification without prior notice. / Typographical and other errors do not justify any claim for damages. / All dimensions should be verified using an actual moulded part.</small>   |  |

## X-ON Electronics

Largest Supplier of Electrical and Electronic Components

*Click to view similar products for* [Enclosures, Boxes & Cases](#) *category:*

*Click to view products by* [Supertronic](#) *manufacturer:*

Other Similar products are found below :

[585-R-WH-PK](#) [M-10-PLATED](#) [60566-01-000](#) [HPL-9VB BATT DOOR](#) [M18-PLTD](#) [M-21-PLATED](#) [63310-01-000](#) [6711GSKT](#)  
[71884-29-028](#) [LH45-100 Black](#) [72868-510-000](#) [CNS-0000 Black](#) [72883-510-000](#) [CNS-0101 Black](#) [72906-510-000](#) [CNS-0407 Black](#) [73092-](#)  
[510-000](#) [CNM-0101 Black](#) [73105-510-000](#) [CNL-0101 Black](#) [73395-510-039](#) [CNS-0006 Bone](#) [74016-510-000](#) [CNL-0006 Black](#) [74257-510-000](#)  
[CNL-0004](#) [MDC-1183-PLAIN-ALUM](#) [MDC-1183-PTD](#) [MDC-13104-PTD](#) [MDC-321-PTD](#) [MDC-973-PTD](#) [76](#) [77153-01-028](#) [FLX6030](#)  
[83535-01-508](#) [90026-501-000](#) [PS36-200](#) [116-508](#) [120-407](#) [120-910](#) [127-908](#) [130-008](#) [1301170079](#) [1322GSKTEP](#) [1325GSKT3](#) [138-PLAIN](#)  
[1434-1210](#) [EAS-500 \(BLACK ANO\)](#) [1804RP-RB-PK](#) [190-005](#) [2202307](#) [KAB3321 BLACK](#) [KAB3421](#) [2697466](#) [S52213](#) [2901123](#) [2901699](#)  
[A0645271](#) [A20P20](#) [2106-IR](#) [PERF-850-PLN](#)