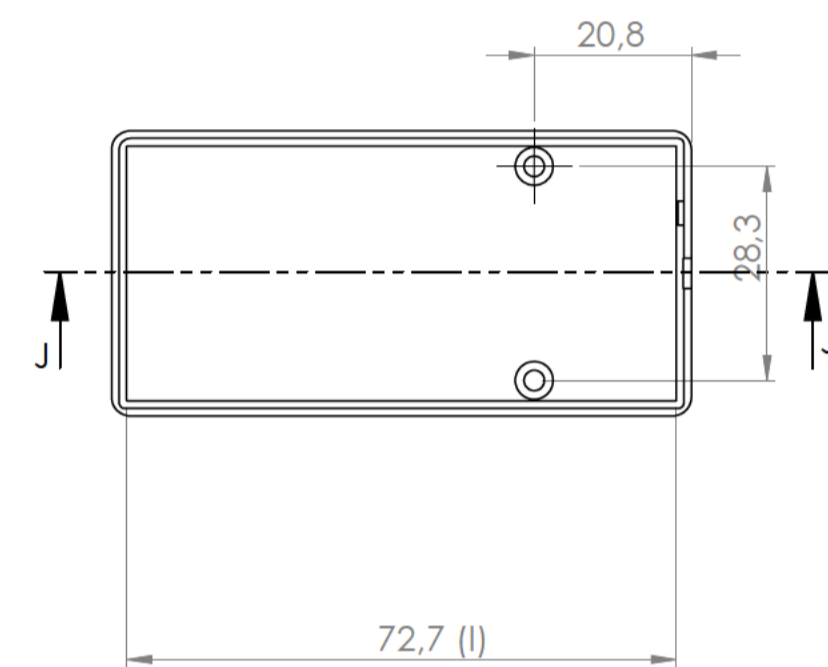
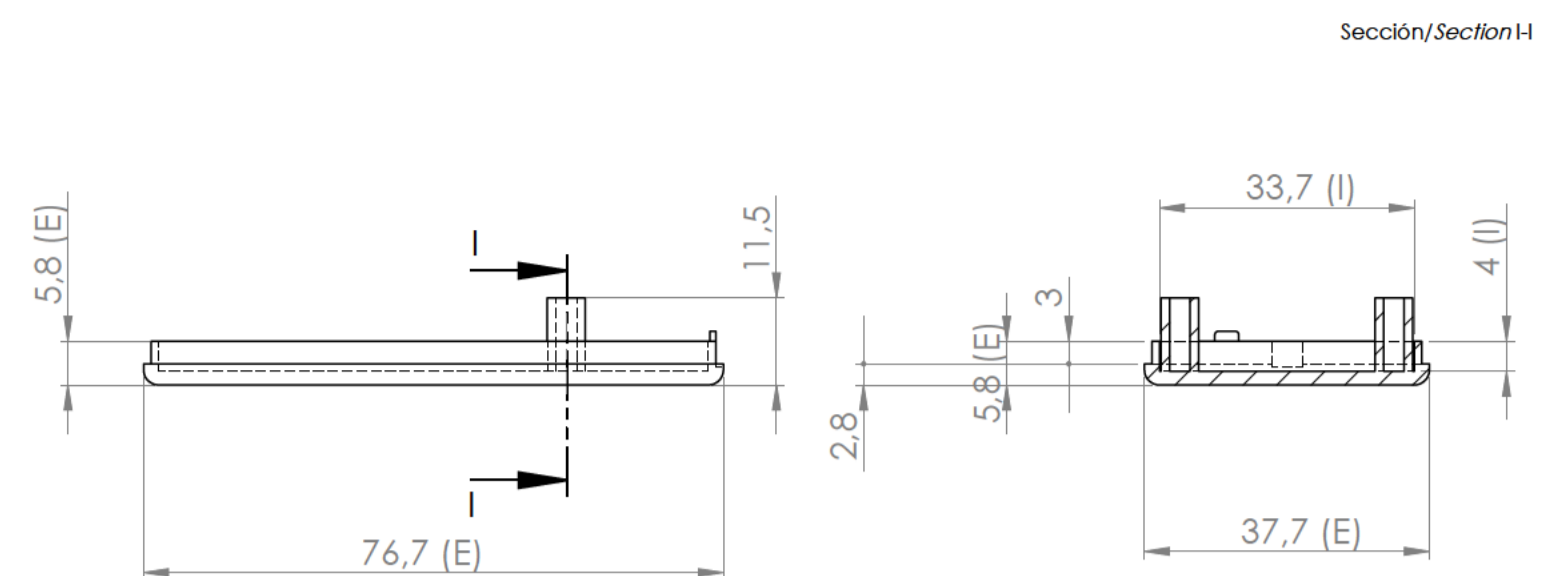
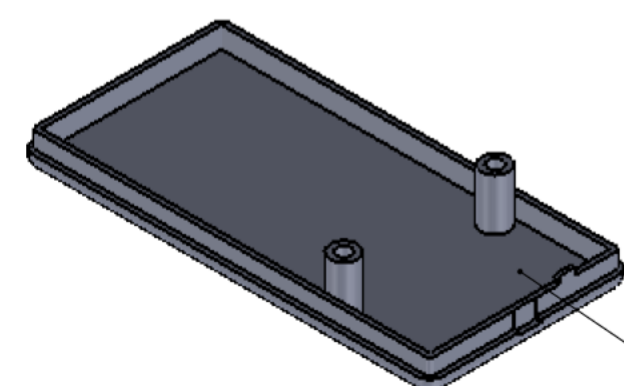


Cuerpo  
Body

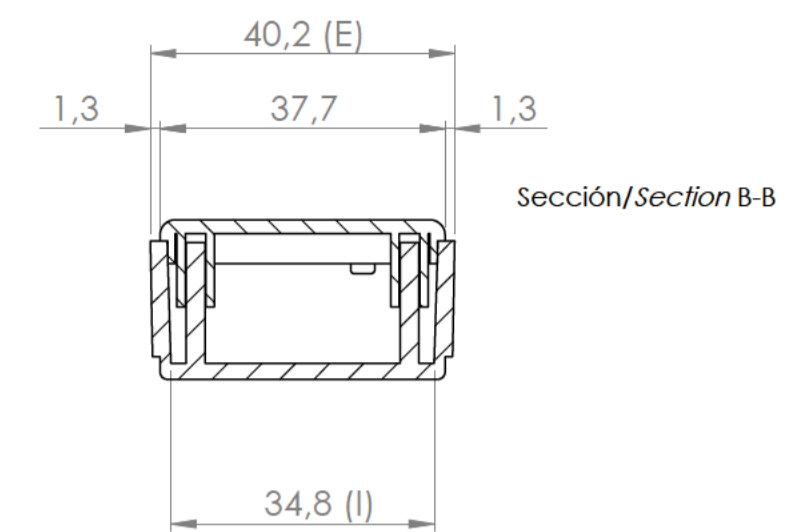
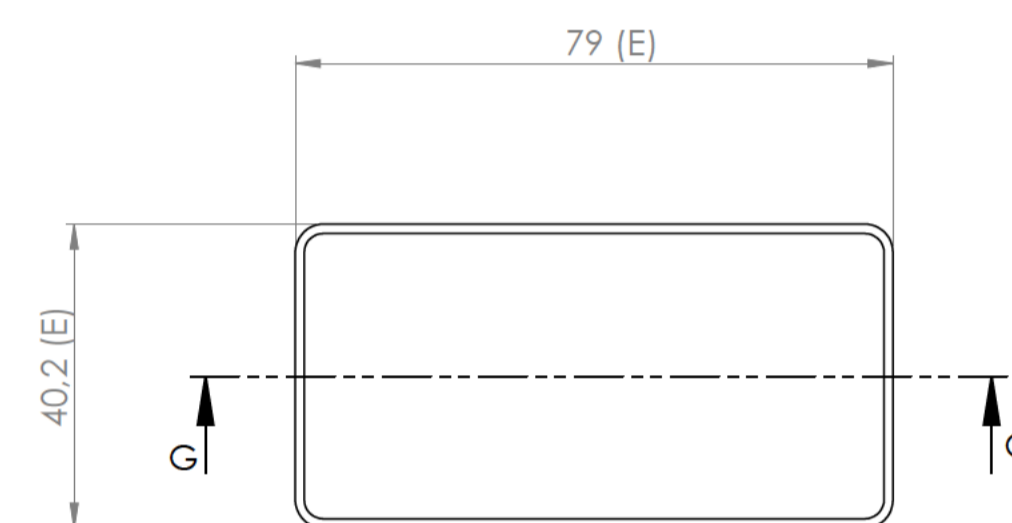
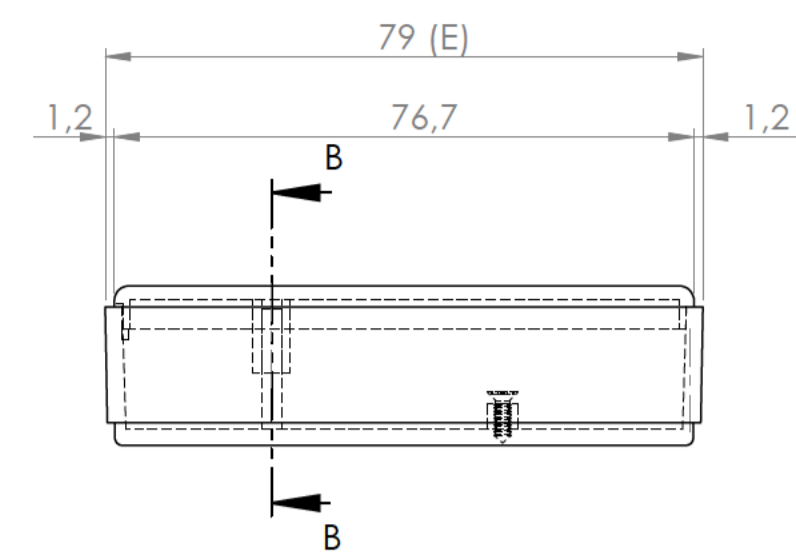


Sección/Section J-J

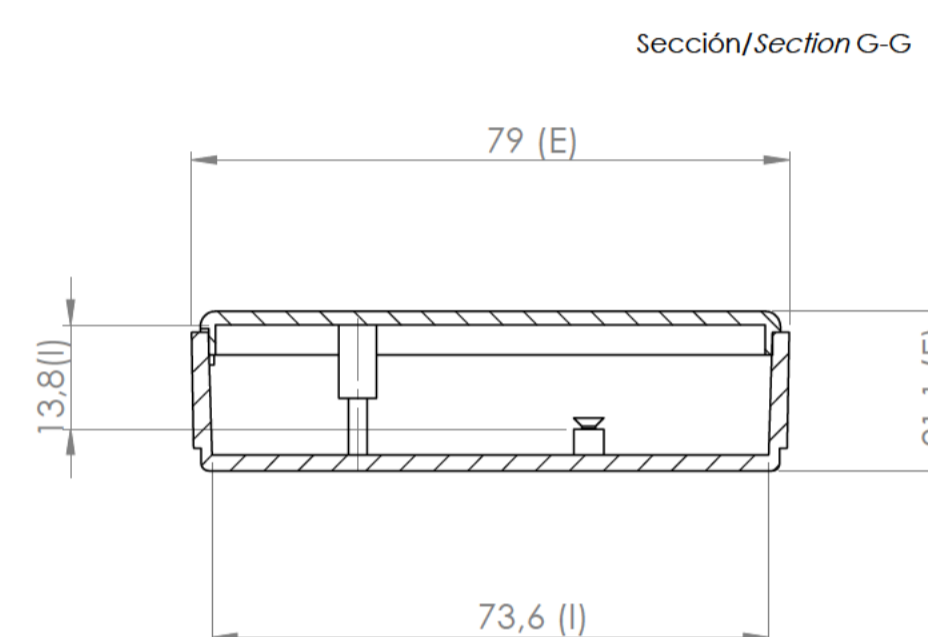


Tapa  
Cover

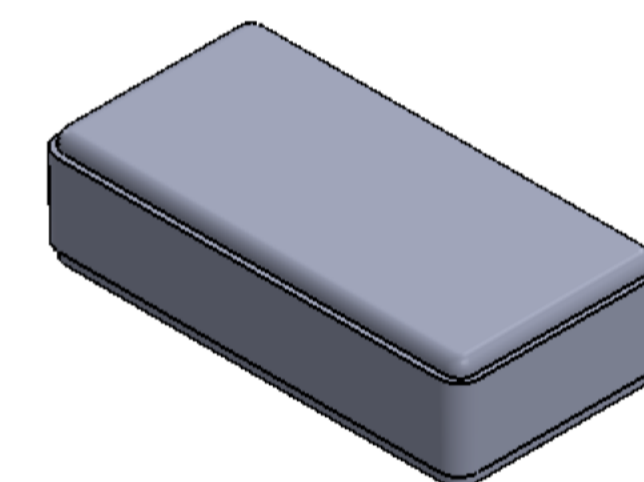
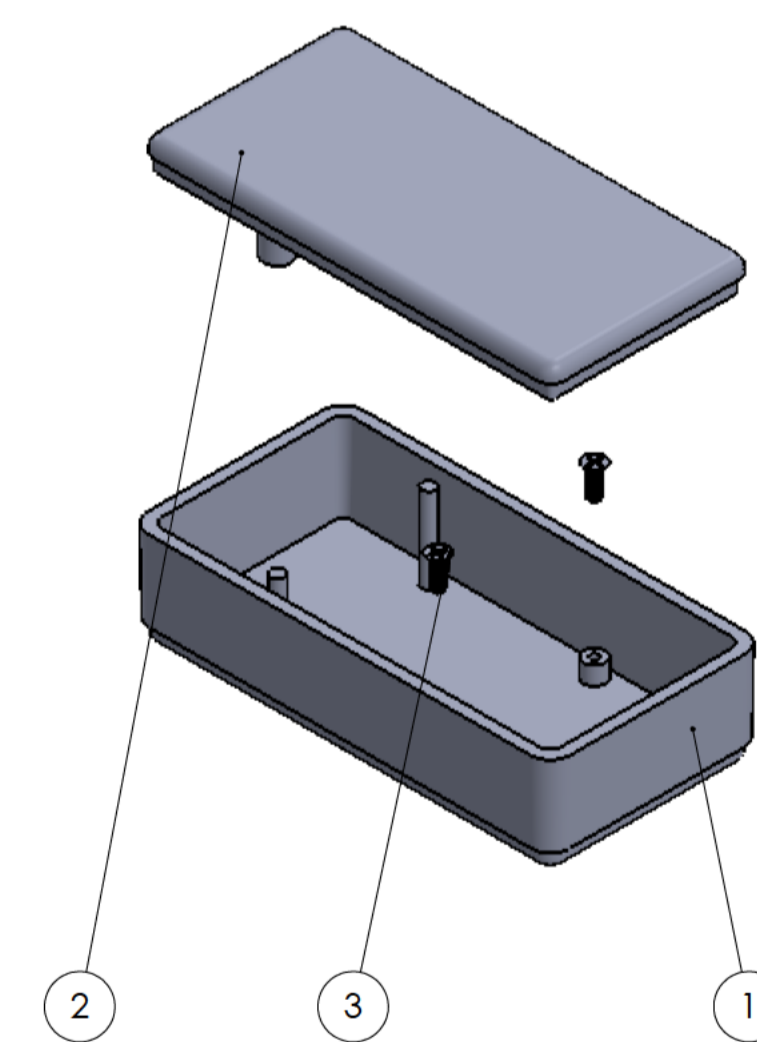
Sección/Section H




Sección/Section B-B



Sección/Section G-G



Conjunto  
Assembly

Posición / Position	Descripción / Description	Referencia / Reference	Peso / Weight	Unidades / Units	Peso / Weight	Dimensiones exteriores / External dimensions	Material / Material	Acabado / Finish	Al copiar esta información no se actualizará. / Copy for information will not be updated	
1	Cuerpo / Body	CPP12		1	19,7g	79x40,2x1,1	ABS	Mate / Mat	Modelo / Model	
2	Tapa / Cover	TPP12		1					PP12	
3	Tornillo 2.2x6,5 / Screw 2.2x6,5	DIN 7982		2						
4									<small>Este documento contiene información propiedad de SUPERTRONIC S.A. y es ofrecida en condiciones de uso informativo con la confianza que no será reproducida ni copiada en otros formatos. Todos los derechos reservados. / This document contains proprietary information of SUPERTRONIC S.A. and is intended subject to the conditions that the information be retained in confidence not be reproduced or copied and not be used or incorporated in any product.</small>	
5									<small>Subject to technical modification without prior notice. / Subject to technical modification without prior notice. / All dimensions should be verified using an actual moulded part.</small>	
6									<small>www.supertronic.com   supertronic@supertronic.com   +34 932 980 257</small>	
7									<small>Nombre / Name: Joaqp M   Fecha / Date: 27-11-2018   Todas las cotas son en mm. / All dimensions are in mm.   A1</small>	
8									<small>Este documento contiene información propiedad de SUPERTRONIC S.A. y es ofrecida en condiciones de uso informativo con la confianza que no será reproducida ni copiada en otros formatos. Todos los derechos reservados. / This document contains proprietary information of SUPERTRONIC S.A. and is intended subject to the conditions that the information be retained in confidence not be reproduced or copied and not be used or incorporated in any product.</small>	
9									<small>Subject to technical modification without prior notice. / Subject to technical modification without prior notice. / All dimensions should be verified using an actual moulded part.</small>	
10									<small>Subject to technical modification without prior notice. / Subject to technical modification without prior notice. / All dimensions should be verified using an actual moulded part.</small>	

## X-ON Electronics

Largest Supplier of Electrical and Electronic Components

*Click to view similar products for* [Enclosures, Boxes & Cases](#) *category:*

*Click to view products by* [Supertronic](#) *manufacturer:*

Other Similar products are found below :

[585-R-WH-PK](#) [M-10-PLATED](#) [60566-01-000](#) [HPL-9VB BATT DOOR](#) [M18-PLTD](#) [M-21-PLATED](#) [63310-01-000](#) [6711GSKT](#)  
[71884-29-028](#) [LH45-100 Black](#) [72868-510-000](#) [CNS-0000 Black](#) [72883-510-000](#) [CNS-0101 Black](#) [72906-510-000](#) [CNS-0407 Black](#) [73092-](#)  
[510-000](#) [CNM-0101 Black](#) [73105-510-000](#) [CNL-0101 Black](#) [73395-510-039](#) [CNS-0006 Bone](#) [74016-510-000](#) [CNL-0006 Black](#) [74257-510-000](#)  
[CNL-0004](#) [MDC-1183-PLAIN-ALUM](#) [MDC-1183-PTD](#) [MDC-13104-PTD](#) [MDC-321-PTD](#) [MDC-973-PTD](#) [76](#) [77153-01-028](#) [FLX6030](#)  
[83535-01-508](#) [90026-501-000](#) [PS36-200](#) [116-508](#) [120-407](#) [120-910](#) [127-908](#) [130-008](#) [1301170079](#) [1322GSKTEP](#) [1325GSKT3](#) [138-PLAIN](#)  
[1434-1210](#) [EAS-500 \(BLACK ANO\)](#) [1804RP-RB-PK](#) [190-005](#) [2202307](#) [KAB3321 BLACK](#) [KAB3421](#) [2697466](#) [S52213](#) [2901123](#) [2901699](#)  
[A0645271](#) [A20P20](#) [2106-IR](#) [PERF-850-PLN](#)