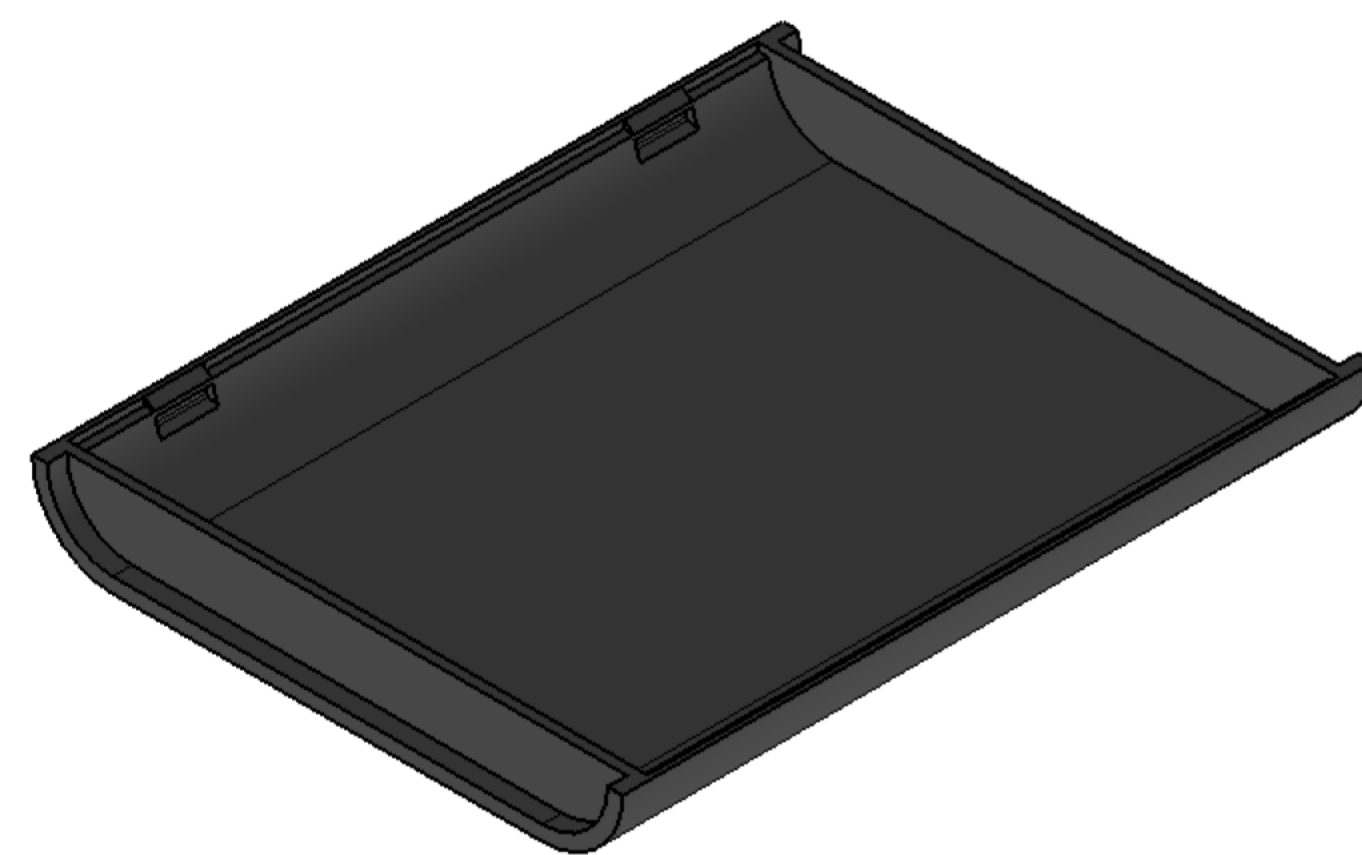
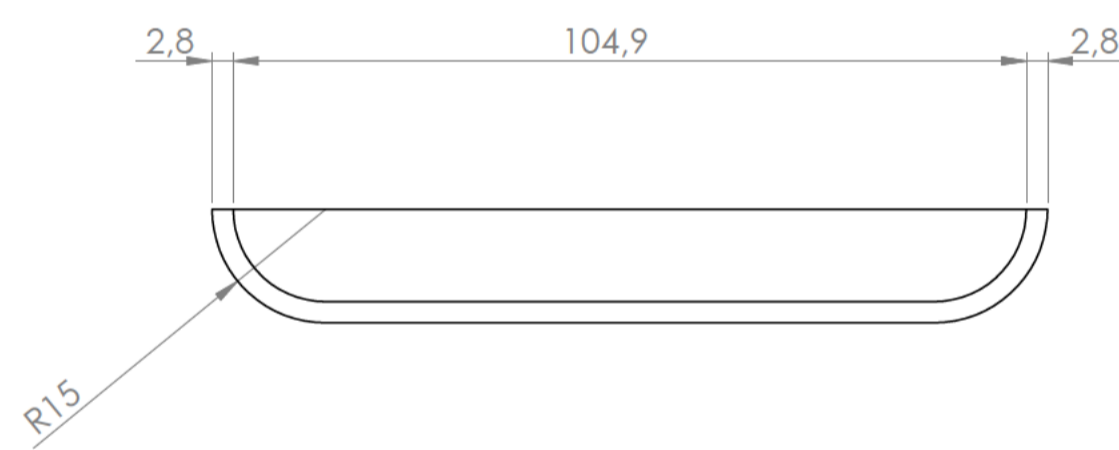
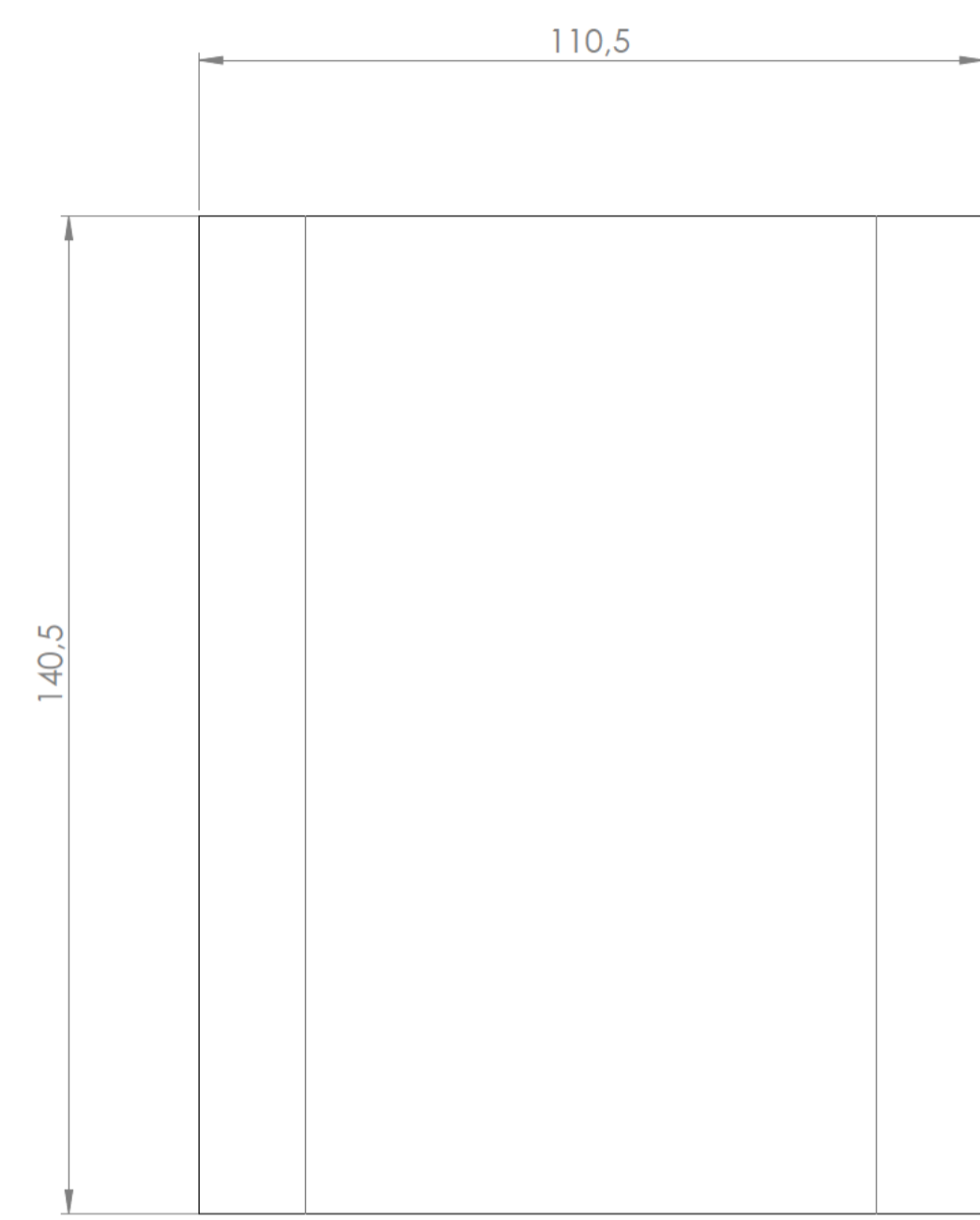
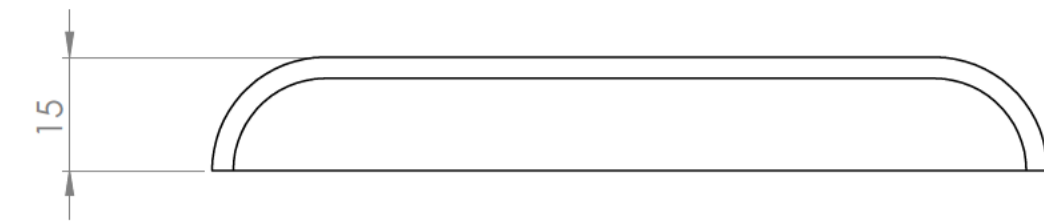
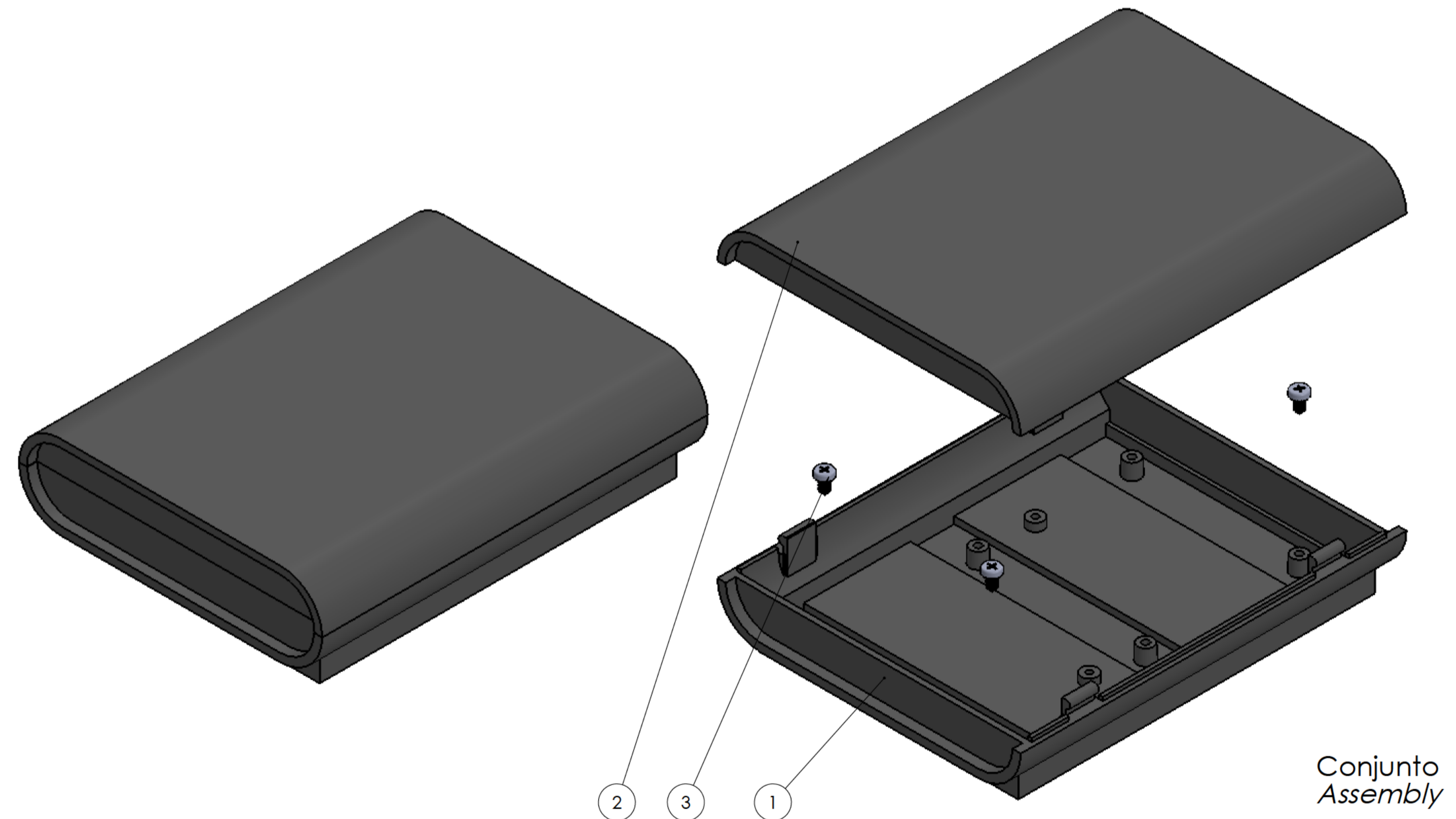
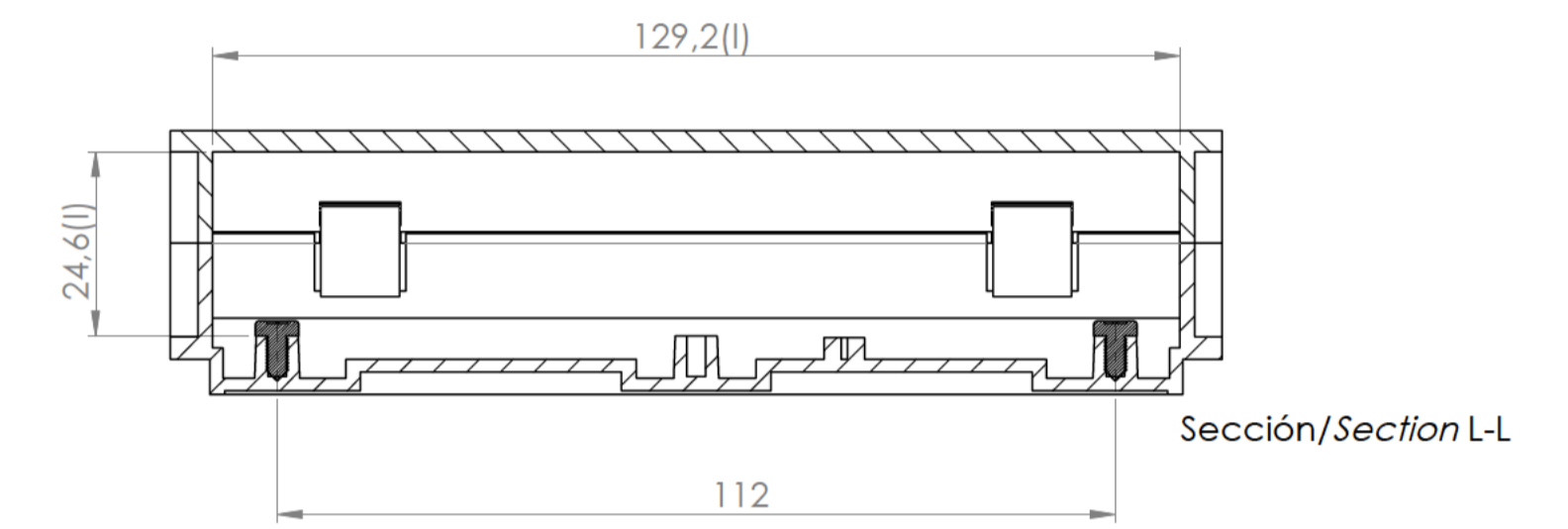
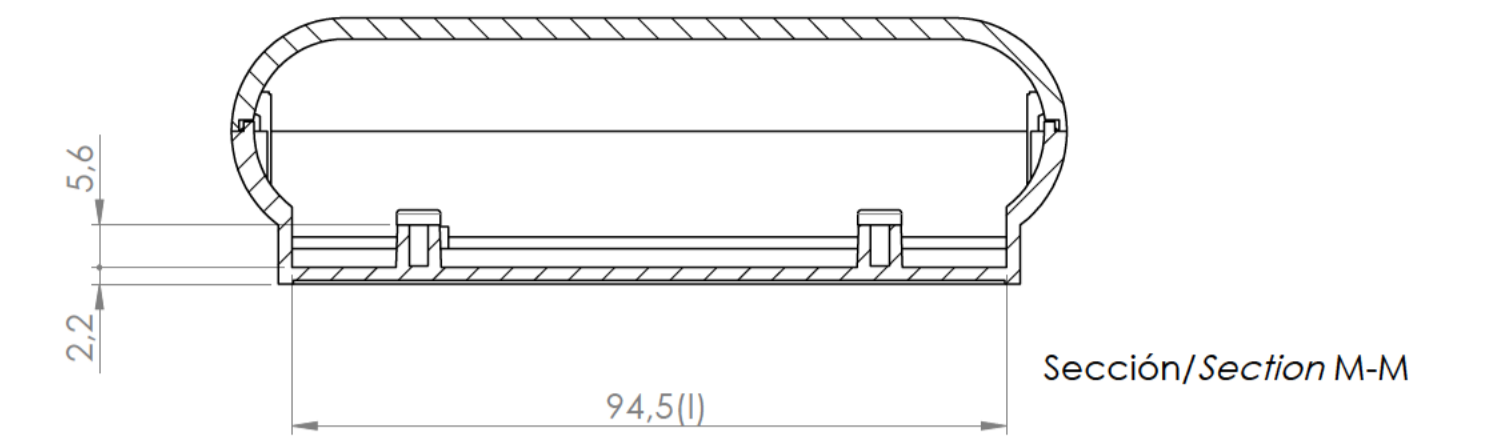
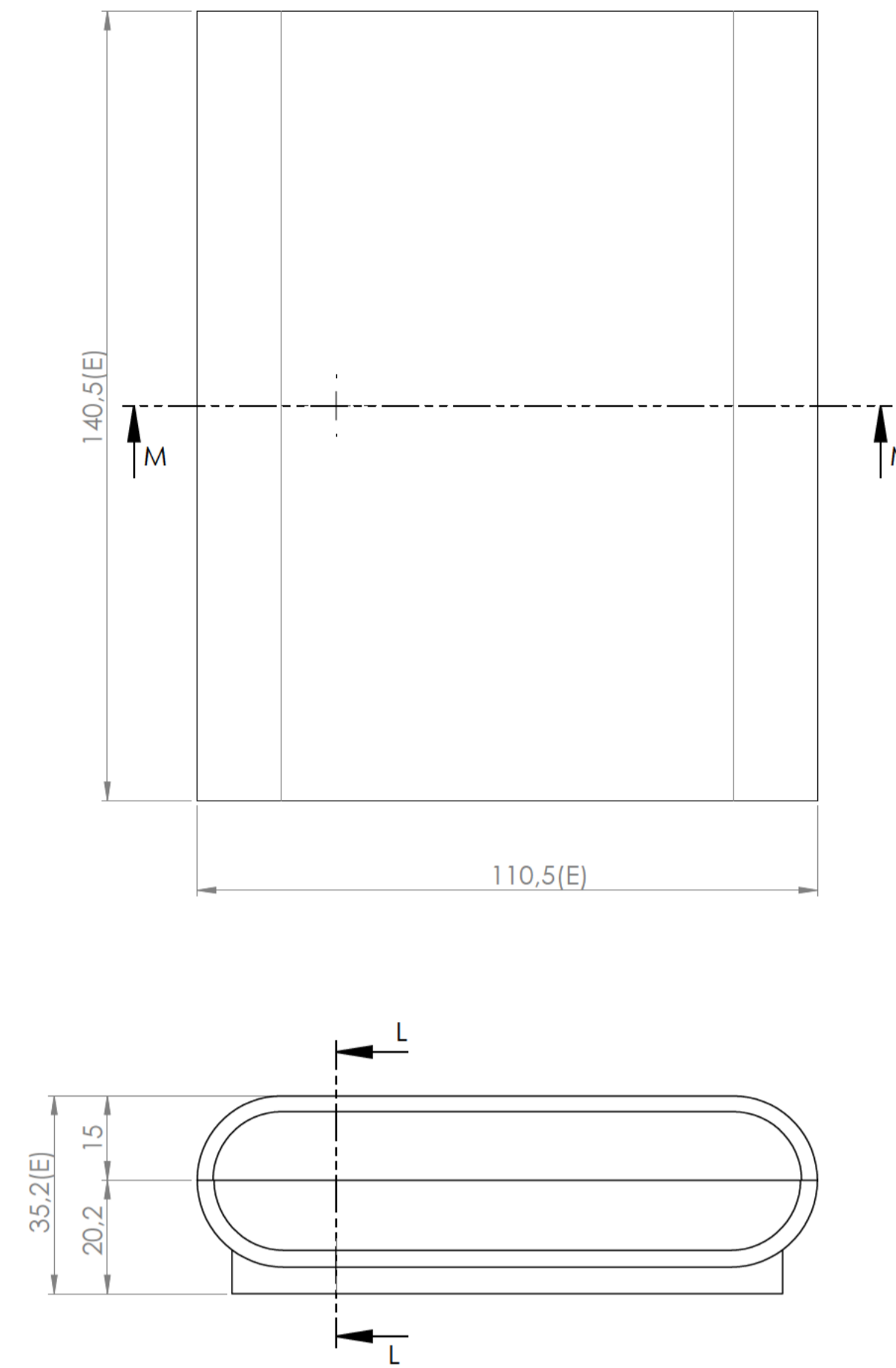



Cuerpo  
Body



Tapa  
Cover



Conjunto  
Assembly

| Posición<br>Position | Descripción<br>Description | Referencia<br>Reference | Peso<br>Weight | Unidades<br>Units | Peso<br>Weight | Dimensiones exteriores<br>External dimensions | Material<br>Material | Acabado<br>Finish | Al copiar esta información no se actualizará. Copy for information will not be updated.   |  |
|----------------------|----------------------------|-------------------------|----------------|-------------------|----------------|---|----------------------|-------------------|---|--|
| 1                    | Cuerpo/Body                | CPP62                   | 2.???          | 1                 | 109.7g         | 140,5x110,5x35,2                              | ABS                  | Mate<br>Mat       | Modelo<br>Model   |  |
| 2                    | Tapa/Cover                 | TPP62                   | 2.???          | 1                 |                |   |                      |                   | PP62  |  |
| 3                    | Tornillo/Screw             | DIN                     | 2.???          | 4                 |                |   |                      |                   |    |  |
| 4                    |                            |                         |                |                   |                |   |                      |                   | <small>Este documento contiene información propiedad de SUPERTRONIC, S.A. y es ofrecida en condiciones de uso informativo con la confianza que no será reproducida ni copiada y no será utilizada o incorporada en cualquier producto de otra empresa sin el consentimiento escrito de SUPERTRONIC, S.A. and is intended subject to the conditions that the information be retained in confidence not be reproduced or copied and not be used or incorporated in any product.</small> |  |
| 5                    |                            |                         |                |                   |                |   |                      |                   | <small>Todas las medidas deben ser verificadas utilizando una pieza moldeada. All dimensions should be verified using an actual moulded part.</small>   |  |
| 6                    |                            |                         |                |                   |                |   |                      |                   | <small>Subject to technical modification without prior notice.</small>  |  |
| 7                    |                            |                         |                |                   |                |   |                      |                   | <small>Typographical and other errors do not justify any claim for damages.</small>   |  |
| 8                    |                            |                         |                |                   |                |   |                      |                   | <small>All dimensions should be verified using an actual moulded part.</small>  |  |
| 9                    |                            |                         |                |                   |                |   |                      |                   | <small>At dimensions are in mm.</small>   |  |
| 10                   |                            |                         |                |                   |                |   |                      |                   | <small>At dimensions are in mm.</small>   |  |

## X-ON Electronics

Largest Supplier of Electrical and Electronic Components

*Click to view similar products for [Electrical Enclosure Accessories](#) category:*

*Click to view products by [Supertronic](#) manufacturer:*

Other Similar products are found below :

[60121-06-028 C-325 Black](#) [71884-04-028 CM3-100 Black](#) [71884-18-028 LH43-200 Black](#) [71884-24-028 LH75-200 Black](#) [71885-01-028 CM6-150 Black](#) [72459-02-028 DM-3 BLACK](#) [72459-03-028 DM-4 BLACK](#) [81501-01-000 XPL, 9VB Black](#) [82402-01 PT-8 ALUM](#) [83541307GSKTSC](#) [1335GSKT3](#) [14101FP-PK](#) [BAS-5104](#) [CB-1263-BT](#) [HM BLACK PANEL](#) [61033-01-000](#) [115123-01-508 CN-RL RS](#) [115124-01-508 CN-XRL XRS](#) [115119-01-000 CN-RL RS](#) [115123-01-000 CN-RL RS](#) [60121-04-028 C-275 Black](#) [60128-01-072](#) [60222-01-028 CM6-225 Black](#) [60272-01-028 CM3-150 Black](#) [60851-01-028 CM69-120 Black](#) [62452-01-000 HML-9VB, EB Black](#) [71884-25-028 LH89-130 Black](#) [AXX2POSTBRCKT](#) [FUPMESK](#) [71884-23-028 LH75-130 Black](#) [8G813V40365](#) [8G813V40367](#) [8G813V40389](#) [8G820V40620](#) [DVC.2-40-33-30-M8-23-40](#) [96178](#) [096484E](#) [GN 963-45-45-45-SW](#) [GN 967-20-20-L-2-ZB](#) [1.325.1300.20](#) [52023608](#) [53801090](#) [53801115](#) [AXX2POSTBRCKT 918808](#) [OBOX-385-NBR-M](#) [60242-02-028 CM5-200 Black](#) [DIN 7603-AL-14-18-A](#) [DIN 7603-AL-16-20-A](#) [DIN 7603-AL-20-24-A](#) [DIN 7603-AL-24-29-A](#)