

Features

- 650-Volt Schottky Rectifier
- Zero Reverse Recovery Current
- Zero Forward Recovery Voltage
- High-Frequency Operation
- Temperature-Independent Switching Behavior
- Extremely Fast Switching
- Positive Temperature Coefficient on V_F

Benefits

- Replace Bipolar with Unipolar Rectifiers
- Essentially No Switching Losses
- Higher Efficiency
- Reduction of Heat Sink Requirements
- Parallel Devices Without Thermal Runaway

Applications

- Switch Mode Power Supplies
- Power Factor Correction
- Motor Drives

| Part Number | Package |
|-------------|----------|
| GC3D10065A | TO-220-2 |

| | | |
|-------------------------------|---|--------|
| V_{RRM} | = | 650 V |
| $I_F (T_c=135^\circ\text{C})$ | = | 14.5 A |
| Q_c | = | 24 nC |



TO-220-2

Package



Maximum Ratings ($T_c = 25^\circ\text{C}$ unless otherwise specified)

| Symbol | Parameter | Value | Unit | Test Conditions | Note |
|----------------|--|------------------|------------------|---|--------|
| V_{RRM} | Repetitive Peak Reverse Voltage | 650 | V | | |
| V_{RSM} | Surge Peak Reverse Voltage | 650 | V | | |
| V_{DC} | DC Blocking Voltage | 650 | V | | |
| I_F | Continuous Forward Current | 30 14.5 10 | A | $T_c=25^\circ\text{C}$ $T_c=135^\circ\text{C}$ $T_c=153^\circ\text{C}$ | Fig. 3 |
| I_{FRM} | Repetitive Peak Forward Surge Current | 46 31 | A | $T_c=25^\circ\text{C}, t_p = 10 \text{ ms}$, Half Sine Wave $T_c=110^\circ\text{C}, t_p = 10 \text{ ms}$, Half Sine Wave | |
| I_{FSM} | Non-Repetitive Peak Forward Surge Current | 90 71 | A | $T_c=25^\circ\text{C}, t_p = 10 \text{ ms}$, Half Sine Wave $T_c=110^\circ\text{C}, t_p = 10 \text{ ms}$, Half Sine Wave | Fig. 8 |
| I_{FMax} | Non-Repetitive Peak Forward Surge Current | 860 680 | A | $T_c=25^\circ\text{C}, t_p = 10 \mu\text{s}$, Pulse $T_c=110^\circ\text{C}, t_p = 10 \mu\text{s}$, Pulse | Fig. 8 |
| P_{tot} | Power Dissipation | 136.5 59 | W | $T_c=25^\circ\text{C}$ $T_c=110^\circ\text{C}$ | Fig. 4 |
| T_J, T_{stg} | Operating Junction and Storage Temperature | -55 to +175 | $^\circ\text{C}$ | | |
| | TO-220 Mounting Torque | 1 8.8 | Nm lbf-in | M3 Screw 6-32 Screw | |

Electrical Characteristics

| Symbol | Parameter | Typ. | Max. | Unit | Test Conditions | Note |
|--------|---------------------------|-------------------|------------|---------------|--|--------|
| V_F | Forward Voltage | 1.5 2.0 | 1.8 2.4 | V | $I_F = 10\text{ A}$ $T_J = 25^\circ\text{C}$ $I_F = 10\text{ A}$ $T_J = 175^\circ\text{C}$ | Fig. 1 |
| I_R | Reverse Current | 12 24 | 60 220 | μA | $V_R = 650\text{ V}$ $T_J = 25^\circ\text{C}$ $V_R = 650\text{ V}$ $T_J = 175^\circ\text{C}$ | Fig. 2 |
| Q_C | Total Capacitive Charge | 24 | | nC | $V_R = 400\text{ V}$, $I_F = 10\text{ A}$ $di/dt = 500\text{ A}/\mu\text{s}$ $T_J = 25^\circ\text{C}$ | Fig. 5 |
| C | Total Capacitance | 460.5 44 40 | | pF | $V_R = 0\text{ V}$, $T_J = 25^\circ\text{C}$, $f = 1\text{ MHz}$ $V_R = 200\text{ V}$, $T_J = 25^\circ\text{C}$, $f = 1\text{ MHz}$ $V_R = 400\text{ V}$, $T_J = 25^\circ\text{C}$, $f = 1\text{ MHz}$ | Fig. 6 |
| E_C | Capacitance Stored Energy | 3.6 | | μJ | $V_R = 400\text{ V}$ | Fig. 7 |

Note: This is a majority carrier diode, so there is no reverse recovery charge.

Thermal Characteristics

| Symbol | Parameter | Typ. | Unit | Note |
|-----------------|--|------|---------------------------|--------|
| $R_{\theta JC}$ | Thermal Resistance from Junction to Case | 1.1 | $^\circ\text{C}/\text{W}$ | Fig. 9 |

Typical Performance

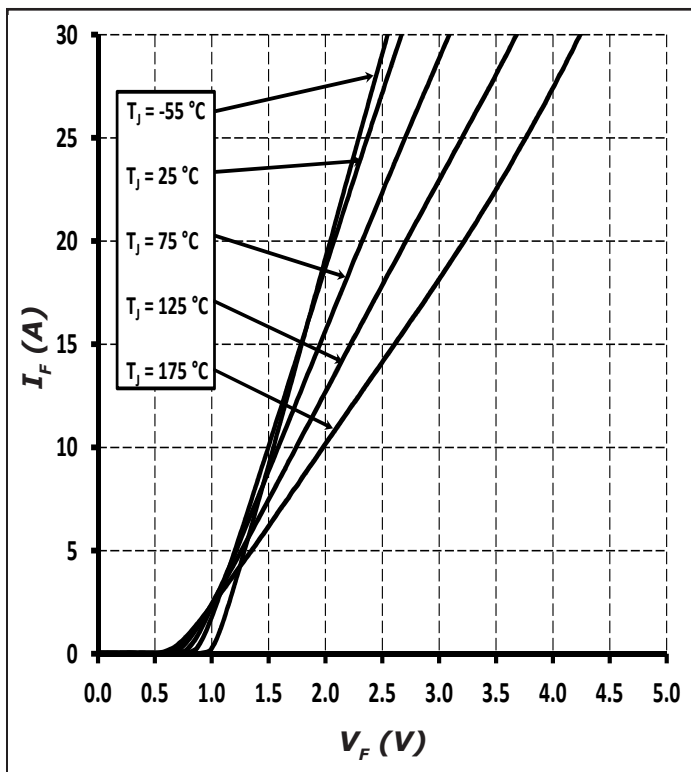


Figure 1. Forward Characteristics

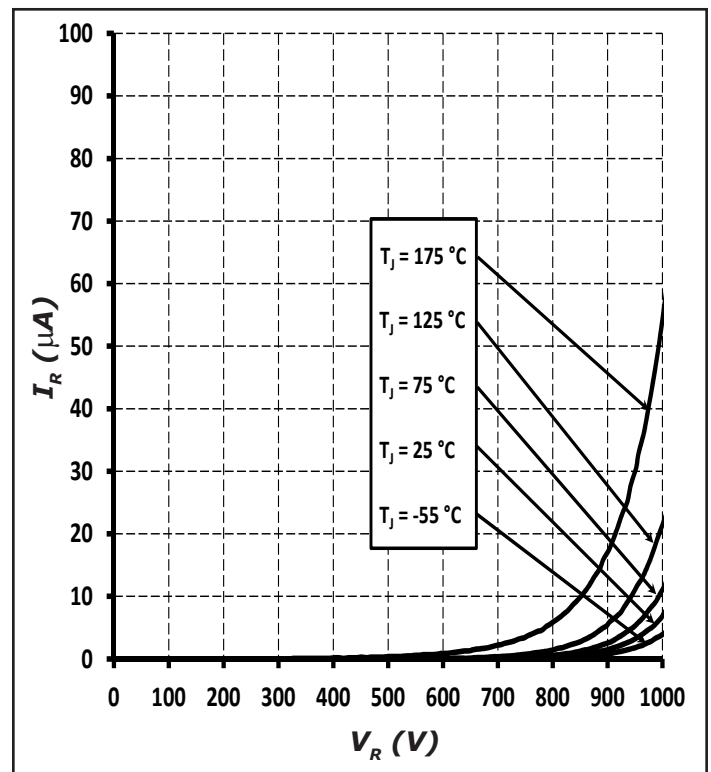


Figure 2. Reverse Characteristics

Typical Performance

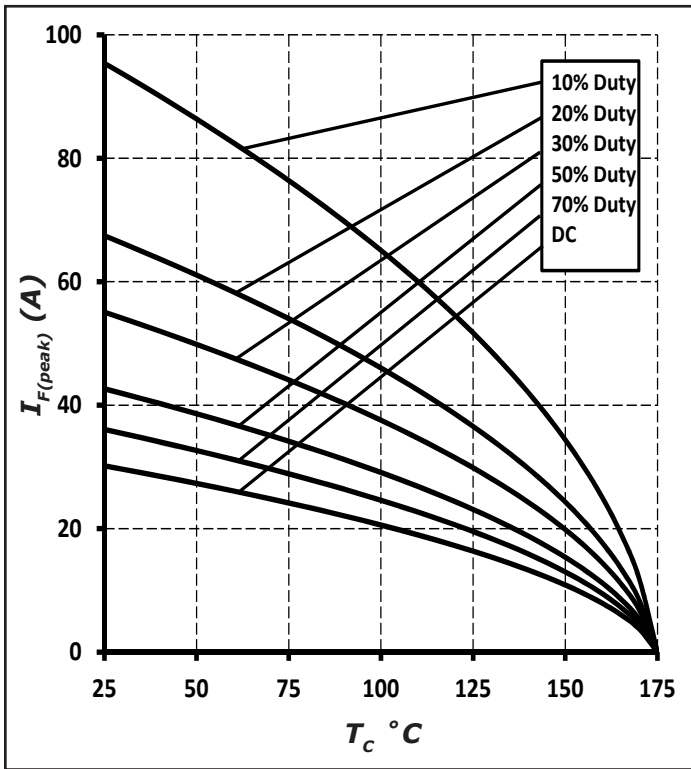


Figure 3. Current Derating

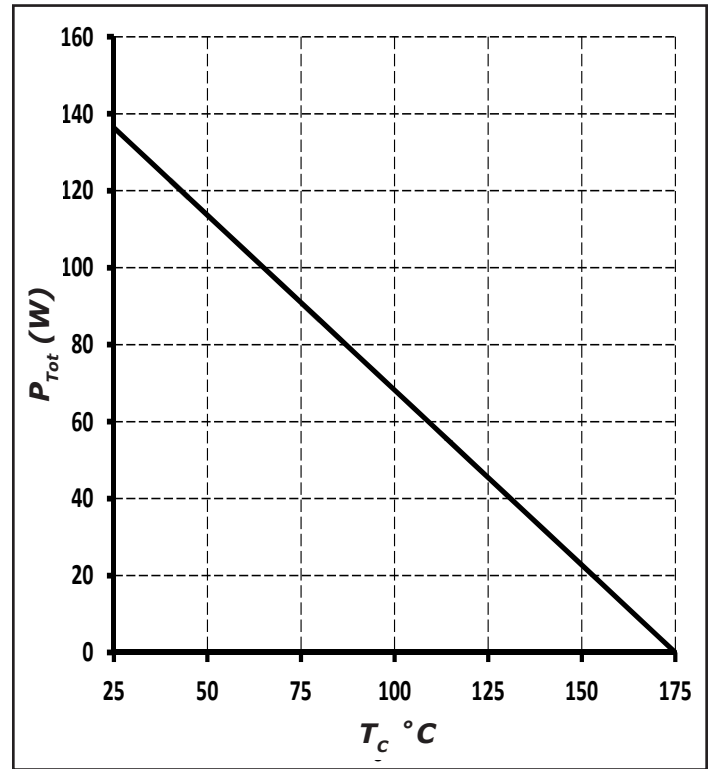


Figure 4. Power Derating

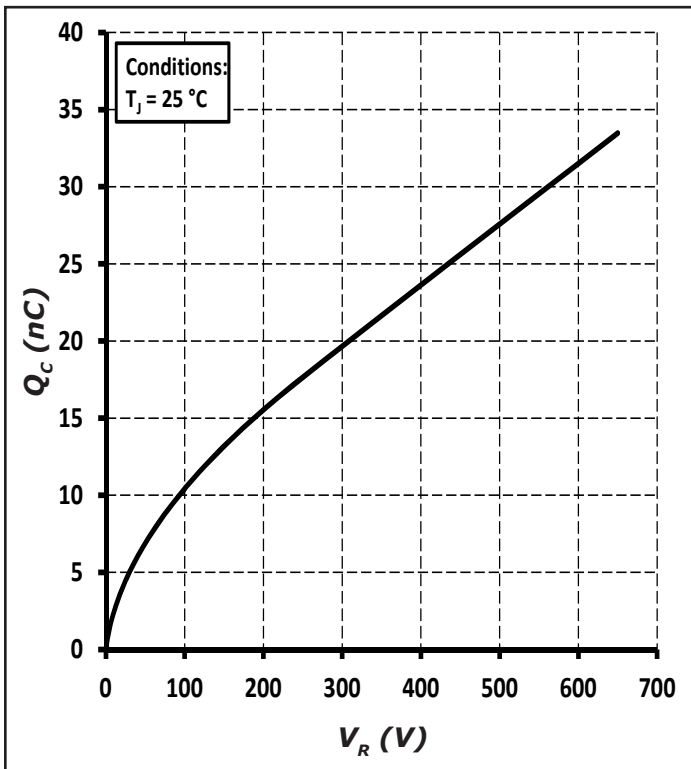


Figure 5. Total Capacitance Charge vs. Reverse Voltage

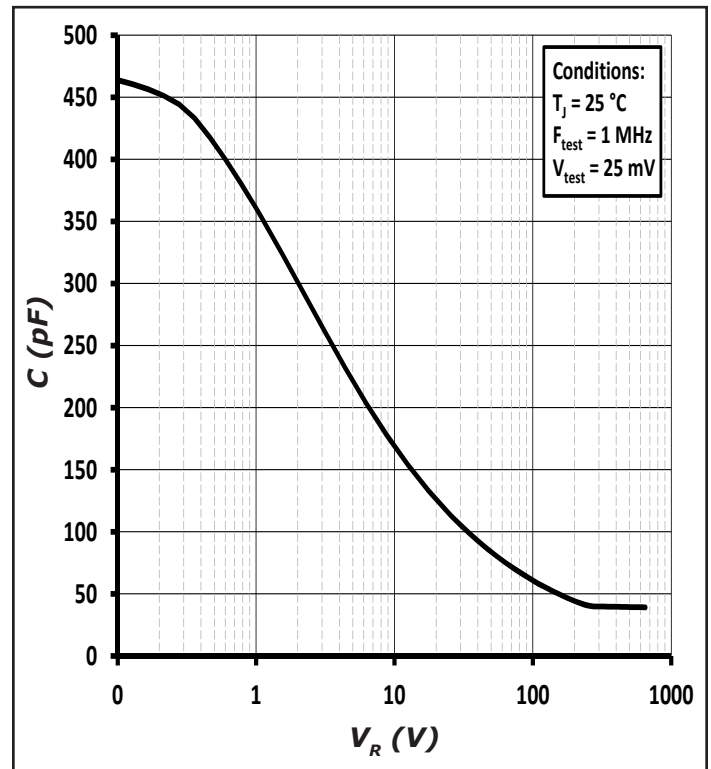


Figure 6. Capacitance vs. Reverse Voltage

Typical Performance

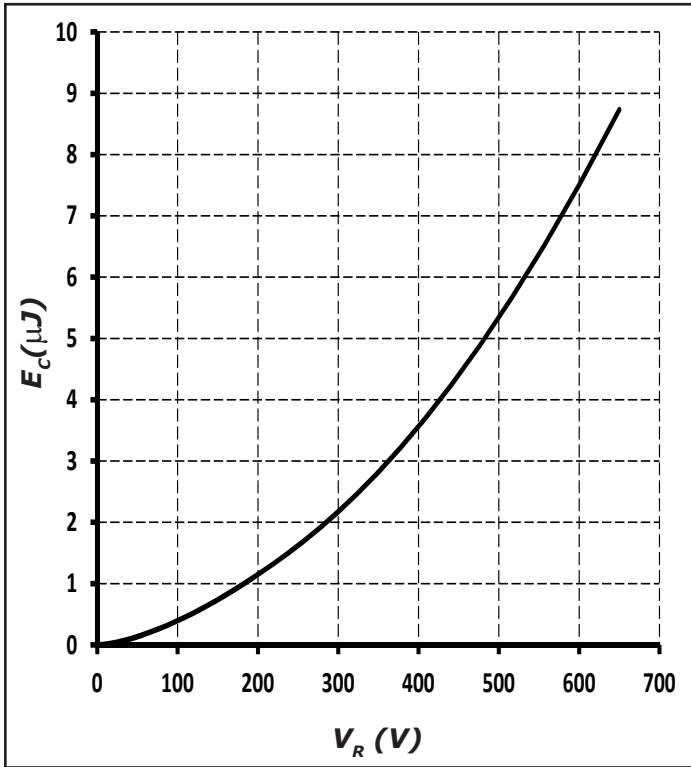


Figure 7. Capacitance Stored Energy

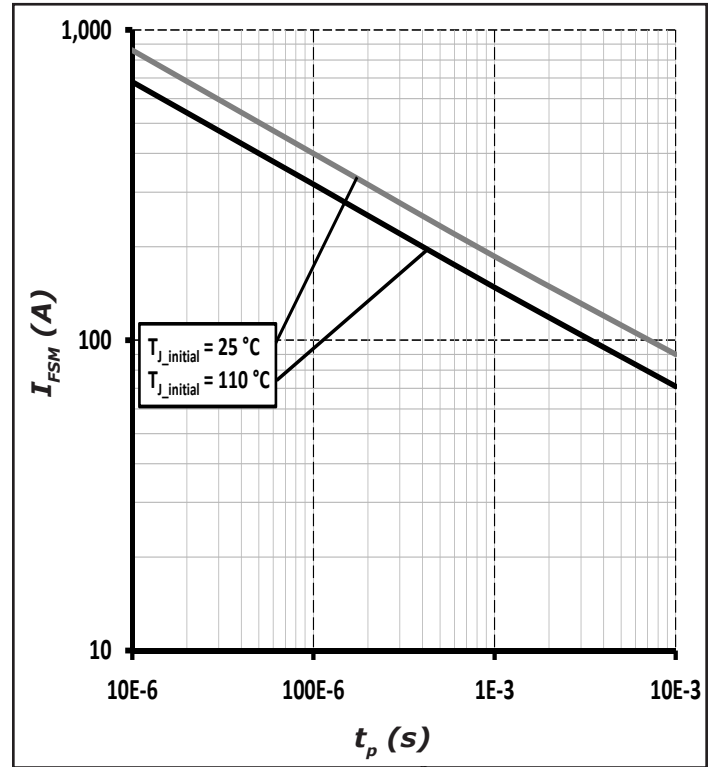


Figure 8. Non-repetitive peak forward surge current versus pulse duration (sinusoidal waveform)

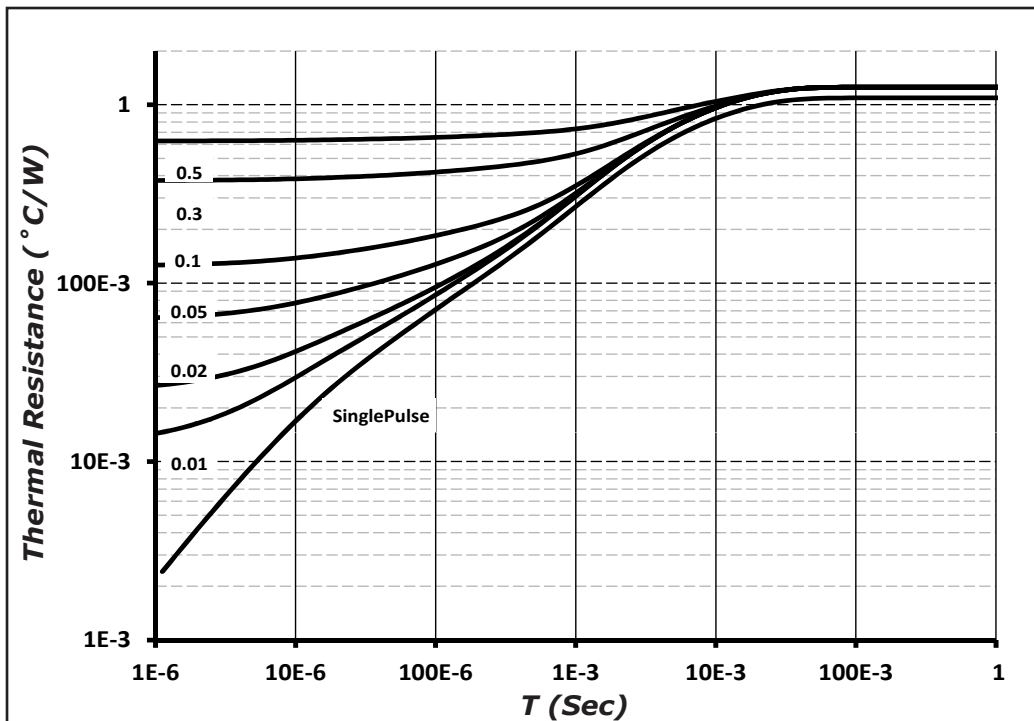
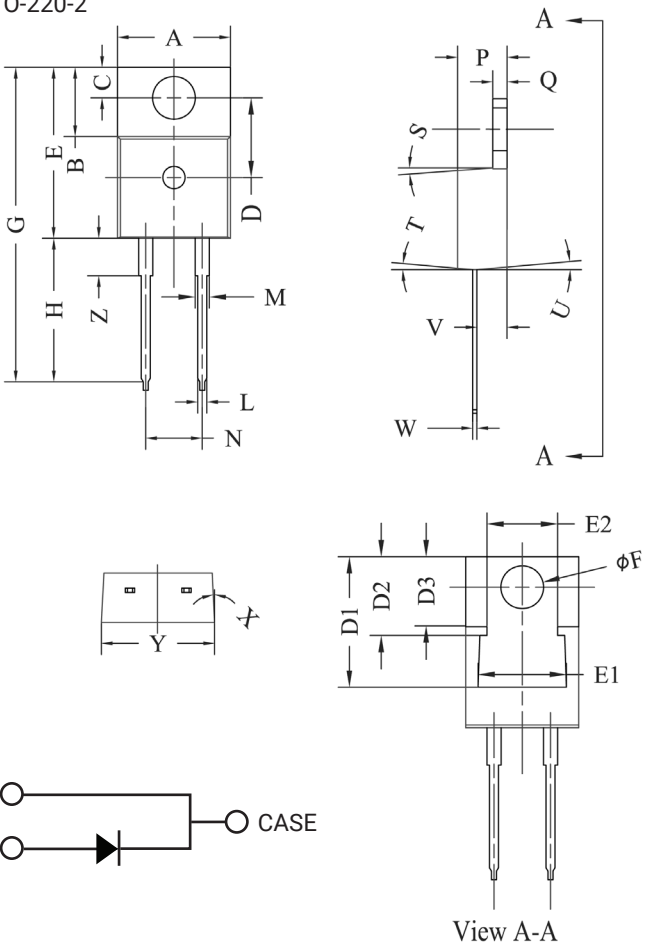


Figure 9. Transient Thermal Impedance

Package Dimensions

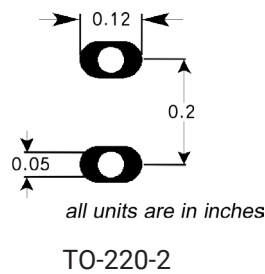
Package TO-220-2



| POS | Inches | | Millimeters | |
|-----|---------------|-------|-----------------|--------|
| | Min | Max | Min | Max |
| A | .381 | .410 | 9.677 | 10.414 |
| B | .235 | .255 | 5.969 | 6.477 |
| C | .100 | .120 | 2.540 | 3.048 |
| D | .223 | .337 | 5.664 | 8.560 |
| D1 | .457-.490 | | 11.60-12.45 typ | |
| D2 | .277-.303 typ | | 7.04-7.70 typ | |
| D3 | .244-.252 typ | | 6.22-6.4 typ | |
| E | .590 | .615 | 14.986 | 15.621 |
| E1 | .302 | .326 | 7.68 | 8.28 |
| E2 | .227 | .251 | 5.77 | 6.37 |
| F | .143 | .153 | 3.632 | 3.886 |
| G | 1.105 | 1.147 | 28.067 | 29.134 |
| H | .500 | .550 | 12.700 | 13.970 |
| L | .025 | .036 | .635 | .914 |
| M | .045 | .055 | 1.143 | 1.550 |
| N | .195 | .205 | 4.953 | 5.207 |
| P | .165 | .185 | 4.191 | 4.699 |
| Q | .048 | .054 | 1.219 | 1.372 |
| S | 3° | 6° | 3° | 6° |
| T | 3° | 6° | 3° | 6° |
| U | 3° | 6° | 3° | 6° |
| V | .094 | .110 | 2.388 | 2.794 |
| W | .014 | .025 | .356 | .635 |
| X | 3° | 5.5° | 3° | 5.5° |
| Y | .385 | .410 | 9.779 | 10.414 |
| Z | .130 | .150 | 3.302 | 3.810 |

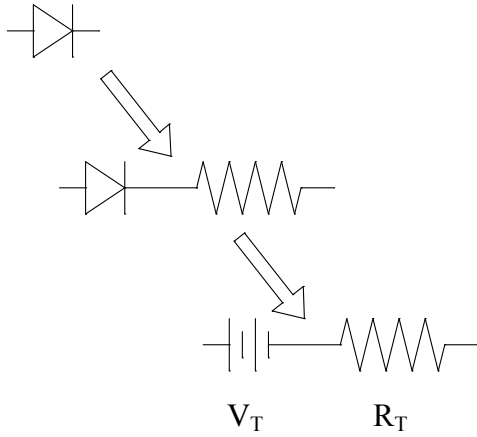
NOTE:
1. Dimension L, M, W apply for Solder Dip Finish

Recommended Solder Pad Layout



| Part Number | Package |
|-------------|----------|
| GC3D10065A | TO-220-2 |

Diode Model



$$V_{f_T} = V_T + I_f * R_T$$

$$V_T = 0.94 + (T_J * -1.3 * 10^{-3})$$

$$R_T = 0.044 + (T_J * 4.4 * 10^{-4})$$

Note: T_J = Diode Junction Temperature In Degrees Celsius,
valid from 25°C to 175°C

X-ON Electronics

Largest Supplier of Electrical and Electronic Components

Click to view similar products for [Schottky Diodes & Rectifiers](#) category:

Click to view products by [SUPSiC](#) manufacturer:

Other Similar products are found below :

[MA4E2039](#) [MMBD301M3T5G](#) [HFA35HB60C](#) [RB160M-50TR](#) [D83C](#) [BAS16E6433HTMA1](#) [BAS 3010S-02LRH](#) [E6327](#) [BAT 54-02LRH](#)
[E6327](#) [NRVBAF360T3G](#) [NSR05F40QNXT5G](#) [NTE555](#) [JANS1N6640](#) [SS3003CH-TL-E](#) [GA01SHT18](#) [CRS10I30A\(TE85L,QM](#)
[MBRA140TRPBF](#) [MBRB30H30CT-1G](#) [BAT 15-04R](#) [E6152](#) [JANTX1N5712-1](#) [DMJ3940-000](#) [SB007-03C-TB-E](#) [NRVBB20100CTT4G](#)
[NRVBM120LT1G](#) [NTSB30U100CT-1G](#) [CRG04\(T5L,TEMQ\)](#) [ACDBA1100LR-HF](#) [ACDBA1200-HF](#) [ACDBA240-HF](#) [ACDBA3100-HF](#)
[CDBQC0530L-HF](#) [ACDBA260LR-HF](#) [ACDBA1100-HF](#) [10BQ015-M3/5BT](#) [NRVBM120ET1G](#) [VSSB410S-M3/5BT](#) [1N5819T-G](#)
[PDS1040Q-13](#) [B160BQ-13-F](#) [SDM05U20CSP-7](#) [BAS 70-07](#) [E6433](#) [B140S1F-7](#) [HSM560Je3/TR13](#) [DDB2265-000](#) [ZHCS506QTA](#)
[HSM190Je3/TR13](#) [B330AF-13](#) [ACDBUC0230-HF](#) [SDM1U100S1F-7](#) [MBR10200CTF-G1](#) [CDLL5712](#)