

SURGiNG

紹 鑫 實 業



Thyristor Surge Suppressors

半导体放电管

PxxxxSX Series D0-214AA/SMB

Thyristor Surge Suppressors -PxxxxSX Series



Description

DO-214AA/SMB Series are low capacitance devices designed to protect broadband equipment such as VOIP, DSL modems and DSLAMs from damaging overvoltage transients.

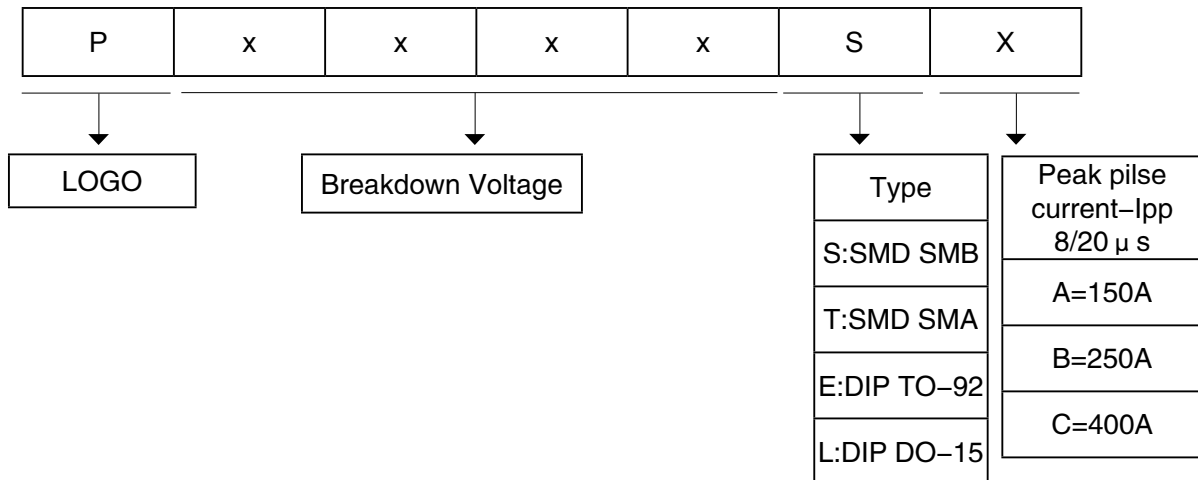
The series provides a surface mount solution that enables equipment to comply with global regulatory standards while limiting the impact to broadband signals.

Features

Compared to surge suppression using other technologies, P Series devices offer absolute surge protection regardless of the surge current available and the rate of applied voltage (dv/dt). P Series devices:

- Cannot be damaged by voltage
- Eliminate hysteresis and heat dissipation typically found with clamping devices
- Eliminate voltage overshoot caused by fast-rising transients
- Are non-degenerative
- Will not fatigue
- Have low capacitance, making them ideal for high-speed transmission equipment

Part Number Code



Electrical Characteristics

Type Number	VDRM	IDRM	VBO	IH	IS	IT	VT	CJ	
	V	μ A	V	MA	MA	A	V	pFMin	pFMax
P0080SA	6	5	25	50	800	2.2	4	25	150
P0080SB	6	5	25	50	800	2.2	4	25	150
P0080SC	6	5	25	50	800	2.2	4	35	260
P0300SA	25	5	40	50	800	2.2	4	15	140
P0300SB	25	5	40	50	800	2.2	4	15	140
P0300SC	25	5	40	50	800	2.2	4	25	250
P0640SA	58	5	77	150	800	2.2	4	40	60
P0640SB	58	5	77	150	800	2.2	4	40	60
P0640SC	58	5	77	150	800	2.2	4	28	80
P0720SA	65	5	88	150	800	2.2	4	35	60
P0720SB	65	5	88	150	800	2.2	4	35	75
P0720SC	65	5	88	150	800	2.2	4	50	150
P0900SA	75	5	98	150	800	2.2	4	35	55
P0900SB	75	5	98	150	800	2.2	4	35	70
P0900SC	75	5	98	150	800	2.2	4	45	140
P1100SA	90	5	130	150	800	2.2	4	30	50
P1100SB	90	5	130	150	800	2.2	4	30	70
P1100SC	90	5	130	150	800	2.2	4	45	115
P1300SA	120	5	160	150	800	2.2	4	25	45
P1300SB	120	5	160	150	800	2.2	4	25	60
P1300SC	120	5	160	150	800	2.2	4	40	105
P1500SA	140	5	180	150	800	2.2	4	25	40
P1500SB	140	5	180	150	800	2.2	4	25	55
P1500SC	140	5	180	150	800	2.2	4	35	95
P1800SA	170	5	220	150	800	2.2	4	25	35
P1800SB	170	5	220	150	800	2.2	4	25	50
P1800SC	170	5	220	150	800	2.2	4	35	90
P2300SA	190	5	260	150	800	2.2	4	25	35
P2300SB	190	5	260	150	800	2.2	4	25	50
P2300SC	190	5	260	150	800	2.2	4	30	80
P2600SA	220	5	300	150	800	2.2	4	20	35
P2600SB	220	5	300	150	800	2.2	4	20	45
P2600SC	220	5	300	150	800	2.2	4	30	80
P3100SA	275	5	350	150	800	2.2	4	20	35
P3100SB	275	5	350	150	800	2.2	4	20	45
P3100SC	275	5	350	150	800	2.2	4	30	70
P3500SA	320	5	400	150	800	2.2	4	20	35
P3500SB	320	5	400	150	800	2.2	4	20	40
P3500SC	320	5	400	150	800	2.2	4	25	65

Notes:

Is: Switching Current – maximum current required to switch to on state

IDRM: Leakage Current – maximum peak off-state current measured at VDRM

IH: Holding Current – minimum current required to maintain on state

IPP: Peak Pulse Current – maximum rated peak impulse current

IT: On-state Current – maximum rated continuous on-state current

VDRM: Peak Off-state Voltage – maximum voltage that can be applied while maintaining off state

VT: On-state Voltage – maximum voltage measured at rated on-state current

Surge Ratings

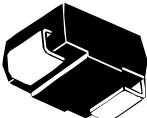
Series	I _{pp}					ITSM 50/60 Hz	di/dt
	2x10 μs	8x20 μs	10x160 μs	10x560 μs	10x1000 μs		
	A min	A min	A min	A min	A min	A min	A/μs max
A	150	150	90	50	45	20	500
B	250	250	150	100	80	30	500
C	500	400	200	150	100	50	500

Notes:

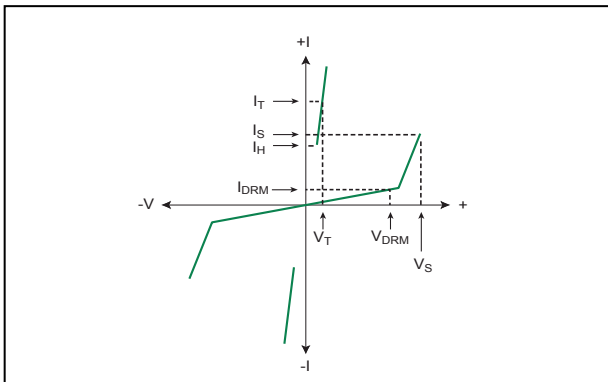
- Peak pulse current rating (I_{pp}) is repetitive and guaranteed for the life of the product.
- I_{pp} ratings applicable over temperature range of -40°C to +85°C
- The device must initially be in thermal equilibrium with -40°C ≤ T_j ≤ +150°C

1 Current waveform in μs
2 Voltage waveform in μs

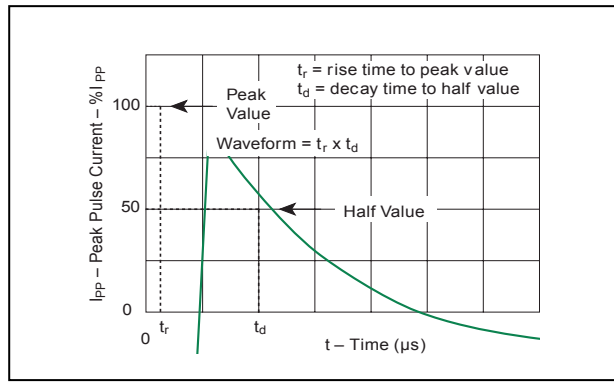
Thermal Considerations

Package	Symbol	Parameter	Value	Unit
DO-214AA 	T _j	Operating Junction Temperature Range	-40 to +150	°C
	T _s	Storage Temperature Range	-65 to +150	°C
	R _{θJA}	Thermal Resistance: Junction to Ambient	90	°C/W

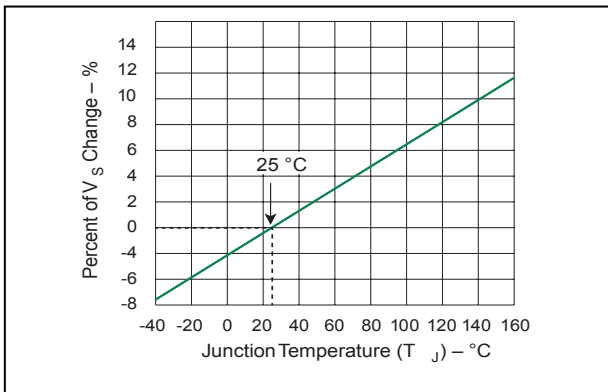
V-I Characteristics



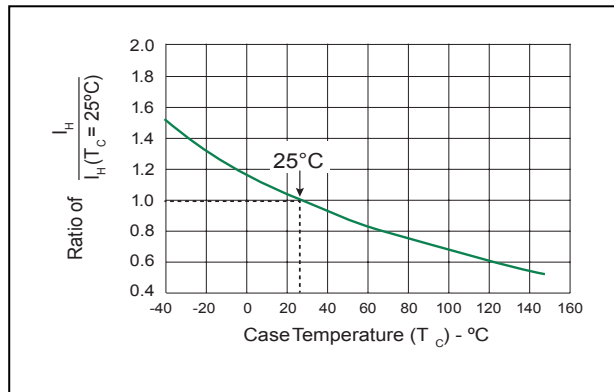
t_r x t_d Pulse Waveform



Normalized V_s Change vs. Junction Temperature



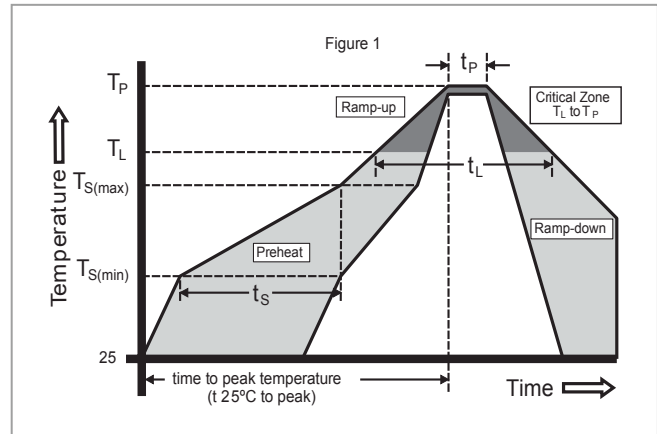
Normalized DC Holding Current vs. Case Temperature



Thyristor Surge Suppressors -PxxxxSX Series

Soldering Parameters

Reflow Condition		Pb-Free assembly (see Fig. 1)
Pre Heat	- Temperature Min ($T_{s(min)}$)	+150°C
	- Temperature Max ($T_{s(max)}$)	+200°C
	- Time (Min to Max) (t_s)	60-180 secs.
Average ramp up rate (Liquidus Temp (T_L) to peak)		3°C/sec. Max.
$T_{S(max)}$ to T_L - Ramp-up Rate		3°C/sec. Max.
Reflow	- Temperature (T_L) (Liquidus)	+217°C
	- Temperature (t_L)	60-150 secs.
Peak Temp (T_p)		+260(+0/-5)°C
Time within 5°C of actual Peak Temp (t_p)		30 secs. Max.
Ramp-down Rate		6°C/sec. Max.
Time 25°C to Peak Temp (T_p)		8 min. Max.
Do not exceed		+260°C



Physical Specifications

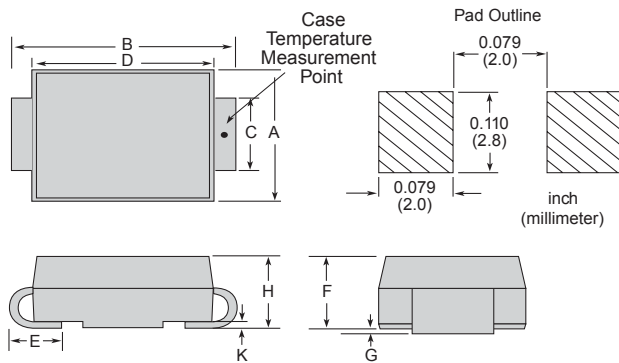
Lead Material	Copper Alloy
Terminal Finish	100% Matte-Tin Plated
Body Material	UL recognized epoxy meeting flammability classification 94V-0

Environmental Specifications

High Temp Voltage Blocking	80% Rated V_{DRM} (V_{AC} Peak) +125°C or +150°C, 504 or 1008 hrs. MIL-STD-750 (Method 1040) JEDEC, JESD22-A-101
Temp Cycling	-65°C to +150°C, 15 min. dwell, 10 up to 100 cycles. MIL-STD-750 (Method 1051) EIA/JEDEC, JESD22-A104
Biased Temp & Humidity	52 V_{DC} (+85°C) 85%RH, 504 up to 1008 hrs. EIA/JEDEC, JESD22-A-101
High Temp Storage	+150°C 1008 hrs. MIL-STD-750 (Method 1031) JEDEC, JESD22-A-101
Low Temp Storage	-65°C, 1008 hrs.
Thermal Shock	0°C to +100°C, 5 min. dwell, 10 sec. transfer, 10 cycles. MIL-STD-750 (Method 1056) JEDEC, JESD22-A-106
Autoclave (Pressure Cooker Test)	+121°C, 100%RH, 2atm, 24 up to 168 hrs. EIA/JEDEC, JESD22-A-102
Resistance to Solder Heat	+260°C, 30 secs. MIL-STD-750 (Method 2031)
Moisture Sensitivity Level	85%RH, +85°C, 168 hrs., 3 reflow cycles (+260°C Peak). JEDEC-J-STD-020, Level 1

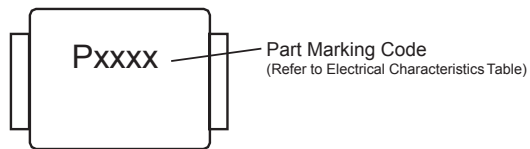
Thyristor Surge Suppressors -PxxxxSX Series

Dimensions-DO-214AA



Dimensions	Inches		Millimeters	
	Min	Max	Min	Max
A	0.130	0.156	3.30	3.95
B	0.201	0.220	5.10	5.60
C	0.077	0.087	1.95	2.20
D	0.159	0.181	4.05	4.60
E	0.030	0.063	0.75	1.60
F	0.075	0.096	1.90	2.45
G	0.002	0.008	0.05	0.20
H	0.077	0.104	1.95	2.65
K	0.006	0.016	0.15	0.41

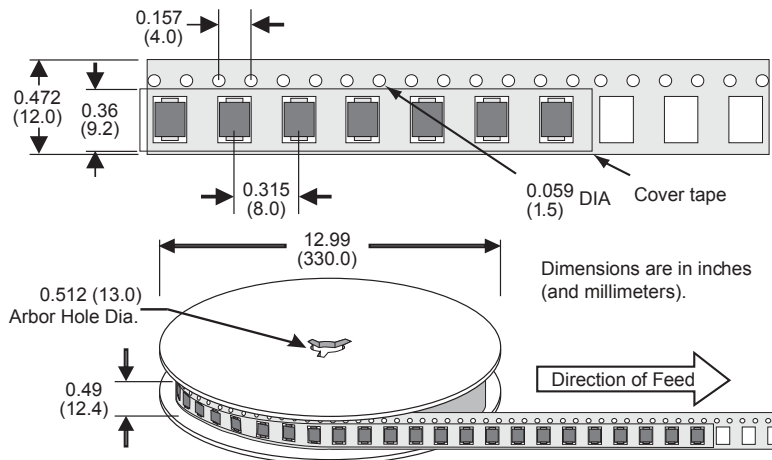
Part Marking



Packing Options

Package Type	Description	Quantity	Added Suffix	Industry Standard
S	DO-214AA Tape & Reel Pack	2500	N/A	EIA-481-D

Tape and Reel Specification — DO-214AA



X-ON Electronics

Largest Supplier of Electrical and Electronic Components

Click to view similar products for Thyristor Surge Protection Devices - TSPD category:

Click to view products by SURGING manufacturer:

Other Similar products are found below :

[SKKH 72/08E](#) [NP1100SAT3G](#) [NP3100SBT3G](#) [SK20NHMH10](#) [P3800FNLTP](#) [TB1500M-13-F](#) [TISP4030L1BJR-S](#) [P1301DF-1E](#)

[TISP4P035L1NR-S](#) [TISP4011H1BJR-S](#) [SKKH 72/16E](#) [SKKH 72/20E H4](#) [SKKH92/16E](#) [BEP3100TA](#) [TISP4015H1BJR-S](#) [TISP4015L1AJR-](#)

[S](#) [TISP4015L1BJR-S](#) [TISP4025H1BJR-S](#) [TISP4030H1BJR-S](#) [TISP4030L1AJR-S](#) [TISP4040H1BJR-S](#) [TISP4040L1AJR-S](#) [TISP4040L1BJR-](#)

[S](#) [TISP4070H3BJR-S](#) [TISP4070J3BJR-S](#) [TISP4070M3BJR-S](#) [TISP4080M3BJR-S](#) [TISP4125H3BJR-S](#) [TISP4145H3BJR-S](#) [TISP4240H3BJR-](#)

[S](#) [TISP4300M3BJR-S](#) [TISP4C220H3BJR-S](#) [TISP4395H3BJR-S](#) [TISP4145J1BJR-S](#) [TISP4145M3BJR-S](#) [TISP4165L3AJR-S](#)

[TISP4180H3BJR-S](#) [TISP4350J3BJR-S](#) [TISP4200H3BJR-S](#) [TISP4220H3BJR-S](#) [TISP4240L3AJR-S](#) [TISP4240M3BJR-S](#) [TISP4250H3BJR-S](#)

[TISP4265H3BJR-S](#) [TISP4265M3BJR-S](#) [TISP4290M3BJR-S](#) [TISP4310T3BJR-S](#) [TISP4350H3BJR-S](#) [TISP4350M3BJR-S](#) [TISP4350T3BJR-S](#)