

SURGiNG

紹 鑫 實 業

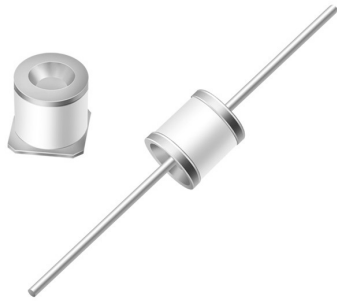


SurgeArresters

陶瓷气体放电管

SX5 Series

Gas Discharge Tubes - SX5 Series



GDT introduction: Gas discharge tubes (GDT) use noble gasses enclosed in ceramic tubes to provide an alternate circuit path for voltage spikes. The ceramic envelope and with nickel connectors allow for high loads and Surging offers products that function at 20KA, 40KA, 50KA, 60KA, 100KA & 150KA. The breakdown voltages of the devices have a wide range (up to 20% tolerance). Major applications are high frequency telecommunication lines, stations, security systems, HID and high quality Surge Protection Devices (SPD).

Features

1. RoHS & HF compliant
2. SMD Structure
3. DC Spark-over voltage: 70~5000V
4. Low Capacitance
5. Agency Recognition : UL
6. Operating temperature: -30°C ~ +85°C Storage temperature: -40°C ~ +115°C

Recommended Applications

1. Cable Modem
2. xDSL
3. Set-Top Box
4. TV sets
5. Power supplier
6. Consumer electronics

Part Number Code

SX5 0 - 230X SMDT

Series:

SX5系列: ϕ 5.5*6
SXH8系列: ϕ 8*6

Lead Type:

0=SMD
1=Thrust

DC Line Voltage:

90X=90V
230X=230V
102X=1000V

Package:

SMD=Cylinder No Lead
SMDT=2-SMD Cylinder Square End

Gas Discharge Tubes - SX5 Series

Electrical Characteristics

Part No.		DC Spark-over Voltage	Maximum Impulse Breakdown Voltage		Max. Impulse Discharge Current (8/20 μ s)		Impulse Life (10/1000 μ s)	Normal Alternating Discharge Current		DC Holdover Voltage	Minimum Insulation Resistance	Maximum Capacitance (1MHz)
			100V/ μ S	1KV/ μ S	1 times	10 times		50Hz 1Sec	Single 9 Cycles			
DIP	SMD	(V)	(V)	(V)	(KA)		100 A	(A)		<150ms	(G Ω)	(pF)
SX51-70X	SX50-70X	70 \pm 20%	700	800	10	5	300	10	25	52	1	1
SX51-75X	SX50-75X	75 \pm 20%	700	800	10	5	300	10	25	52	1	1
SX51-90X	SX50-90X	90 \pm 20%	600	700	10	5	300	10	25	52	1	1
SX51-150X	SX50-150X	150 \pm 20%	600	700	10	5	300	10	25	52	1	1
SX51-230X	SX50-230X	230 \pm 20%	600	700	10	5	300	10	25	80	1	1
SX51-350X	SX50-350X	350 \pm 20%	700	900	10	5	300	10	25	150	1	1
SX51-400X	SX50-400X	400 \pm 20%	800	1000	10	5	300	10	25	150	1	1
SX51-470X	SX50-470X	470 \pm 20%	900	1100	10	5	300	10	25	150	1	1
SX51-600X	SX50-600X	600 \pm 20%	1300	1500	10	5	300	10	25	150	1	1
SX51-800X	SX50-800X	800 \pm 20%	1500	1700	10	5	300	10	25	150	1	1
SX51-102X	SX50-102X	1000 \pm 20%	1600	1800	10	5	300	10	25	150	1	1
SX51-122X	SX50-122X	1200 \pm 20%	1800	2000	10	5	300	10	25	150	1	1
SX51-152X	SX50-152X	1500 \pm 20%	2200	2400	10	5	300	10	25	150	1	1
SX51-202X	SX50-202X	2000 \pm 20%	2800	3000	5	3	300	10	25	150	1	1
SX51-252X	SX50-252X	2500 \pm 20%	3300	3500	5	3	300	10	25	150	1	1
SX51-302X	SX50-302X	3000 \pm 20%	3800	4000	5	3	300	10	25	150	1	1
SX51-362X	SX50-362X	3600 \pm 20%	4400	4600	5	3	300	10	25	150	1	1
SX51-402X	SX50-402X	4000 \pm 20%	4800	4900	5	2	300	10	25	150	1	1
SX51-452X	SX50-452X	4500 \pm 20%	5000	5300	5	2	300	10	25	150	1	1
SX51-502X	SX50-502X	5000 \pm 20%	6000	6500	5	2	300	10	25	150	1	1

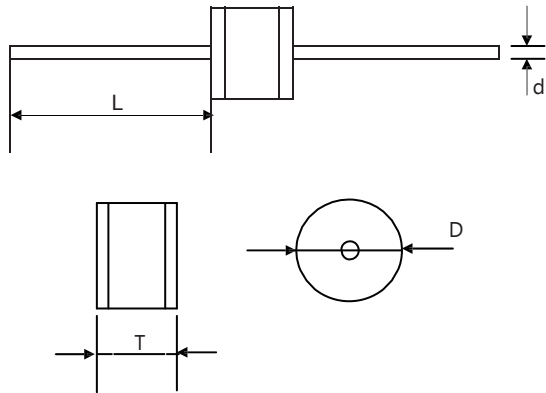
DC Spark-over Voltage	DC Measuring Voltage
70-90V	50V
150-400V	100V
1000-5000V	250V

Gas Discharge Tubes - SX5 Series

Dimension

SX51 (Axial lead type)

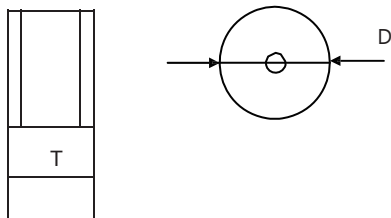
Unit:mm



Item	Dimensions	
	Spec.	Tolerance
D	5.5	+0.3/-0.5
T	6.0	+0.3/-0.5
L	20	Min.
d	0.8	±0.05

SX50 (No lead type)

Unit:mm



Item	Dimensions	
	Spec.	Tolerance
D	5.5	+0.3/-0.5
T	6.0	+0.3/-0.5

Packaging Taping

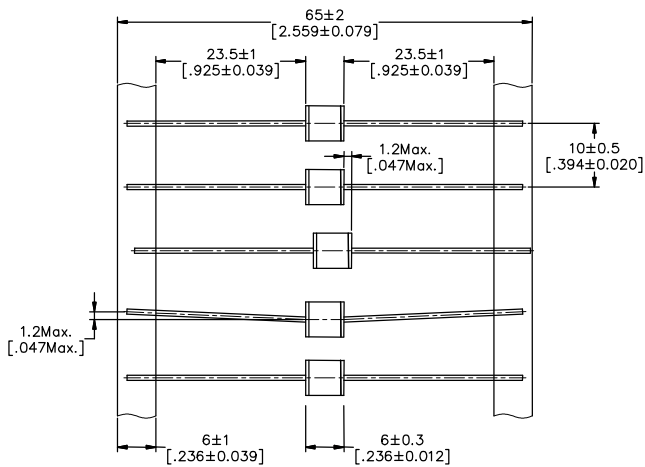
Unit:mm

Plastic Tray (265×147×10mm)	Inner Box (270×145×50mm)	Outside Box (310×280×275mm)
100 PCS/ Plastic Tray	500 PCS/ Box	5,000 PCS/ Carton

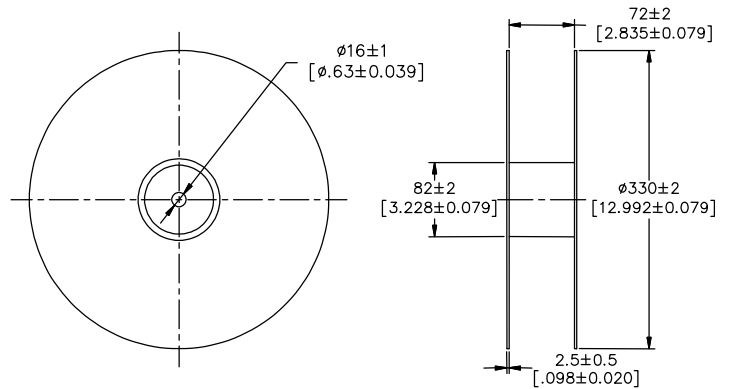
Gas Discharge Tubes - SX5 Series

Axial Packaging (Tape & Reel)

Tape



Reel

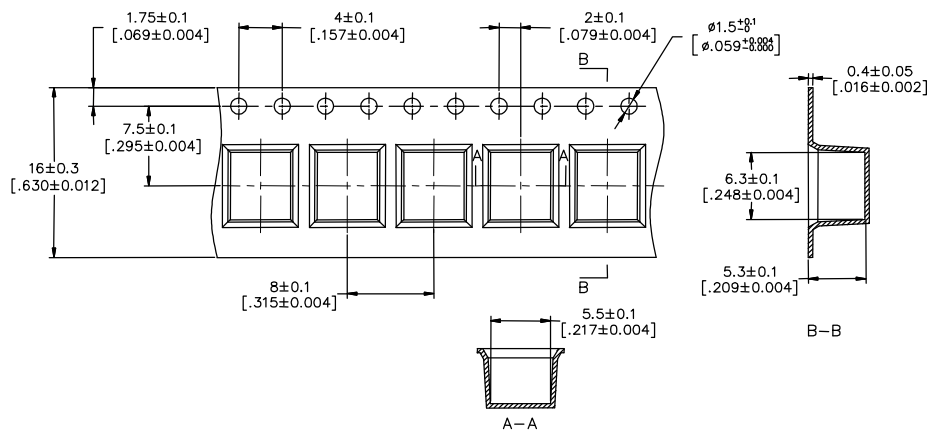


Packaging Quantity:

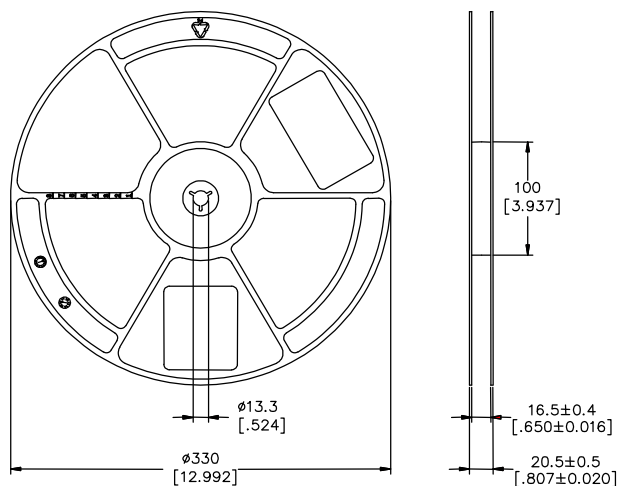
1000 PCS per reel

SMD Packaging (Tape & Reel)

Tape



Reel



X-ON Electronics

Largest Supplier of Electrical and Electronic Components

Click to view similar products for [Gas Discharge Tubes - GDTs / Gas Plasma Arrestors](#) category:

Click to view products by [SURGING](#) manufacturer:

Other Similar products are found below :

[PMT1023004](#) [PMT1025001](#) [RF3161-000](#) [PMT1035004](#) [PMT1040004](#) [PMT809006](#) [CG2250](#) [CG2800](#) [CG31.5L](#) [GT-SMD181240012-TR](#)
[WPGT-2N145B6L](#) [WPGT-2N230B6L](#) [WPGT-2N470B6L](#) [WPGT-2R470B6L](#) [WPGT-2RM230A6L](#) [WPGT-2RM350A6L](#) [WPGT-](#)
[2RM70A6L](#) [WPGT-2RM90A6L](#) [WPGT-2S145](#) [WPGT-2S350](#) [WPGT-2S470](#) [WPGT-3R350CF](#) [WPGT-3R350G1](#) [WPGT-3R90G1](#) [WPGT-](#)
[3R75G1](#) [WPGT-3R470G1](#) [WPGT-3R250C](#) [WPGT-3R230G1](#) [WPGT-2S230](#) [WPGT-2RM470A6L](#) [WPGT-2RM145A6L](#) [WPGT-2R3000B8L](#)
[WPGT-2R2700B8L](#) [WPGT-2R1000B8L](#) [WPGT-2N90B6L](#) [WPGT-2N70B6L](#) [WPGT-2N350B6L](#) [WPGT-2N230B6L1](#) [CG90](#) [CG2230](#)
[CG2145](#) [CG21000](#) [GT-SMD181215012-TR](#) [9071.99.0547 \(73_Z-0-0-547\)](#) [B88069X6940B152](#) [V20-1+NPE-280](#) [V20-3+NPE+FS-280](#)
[SD09-V24 9](#) [C50-0-255](#) [SG24PA300](#)