

# SURGiNG

紹 鑫 實 業



# SurgeArresters

陶瓷气体放电管

SX5 Series

## Gas Discharge Tubes - SX5 Series



GDT introduction: Gas discharge tubes (GDT) use noble gasses enclosed in ceramic tubes to provide an alternate circuit path for voltage spikes. The ceramic envelope and with nickel connectors allow for high loads and Surging offers products that function at 20KA, 40KA, 50KA, 60KA, 100KA & 150KA. The breakdown voltages of the devices have a wide range (up to 20% tolerance). Major applications are high frequency telecommunication lines, stations, security systems, HID and high quality Surge Protection Devices (SPD).

### Features

- |                                    |   |
|------------------------------------|---|
| 1. RoHS & HF compliant             | 5. Agency Recognition : UL  |
| 2. SMD Structure                   | 6. Operating temperature: -30°C ~ +85°C Storage temperature: -40°C ~ +115°C |
| 3. DC Spark-over voltage: 70~3600V |   |
| 4. Low Capacitance                 |   |

### Recommended Applications

- |                |                         |
|----------------|-------------------------|
| 1. Cable Modem | 5. Power supplier       |
| 2. xDSL        | 6. Consumer electronics |
| 3. Set-Top Box |                         |
| 4. TV sets     |                         |

### Part Number Code

**SX5 0 - 230X SMDT**

**Series:**

SX5系列:  $\phi$  5.5\*6  
SXH8系列:  $\phi$  8\*6

**Lead Type:**

0=SMD  
1=Thrust

**DC Line Voltage:**

90X=90V  
230X=230V  
102X=1000V

**Package:**

SMD=Cylinder No Lead  
SMDT=2-SMD Cylinder Square End

## Gas Discharge Tubes - SX5 Series

### Electrical Characteristics

Part No.		DC Spark-over Voltage	Maximum Impulse Breakdown Voltage		Max. Impulse Discharge Current (8/20 $\mu$ s)		Impulse Life (10/1000 $\mu$ s)	Normal Alternating Discharge Current		DC Holdover Voltage	Minimum Insulation Resistance	Maximum Capacitance (1MHz)
			100V/ $\mu$ S	1KV/ $\mu$ s	1 times	10 times		50Hz 1Sec	Single 9 Cycles			
DIP	SMD	(V)	(V)	(V)	(KA)		100 A	(A)		(V)	(G $\Omega$ )	(pF)
SX51-70X	SX50-70X	70 $\pm$ 20%	700	800	10	5	300	10	25	52	1	1
SX51-75X	SX50-75X	75 $\pm$ 20%	700	800	10	5	300	10	25	52	1	1
SX51-90X	SX50-90X	90 $\pm$ 20%	600	700	10	5	300	10	25	52	1	1
SX51-150X	SX50-150X	150 $\pm$ 20%	600	700	10	5	300	10	25	52	1	1
SX51-230X	SX50-230X	230 $\pm$ 20%	600	700	10	5	300	10	25	80	1	1
SX51-350X	SX50-350X	350 $\pm$ 20%	700	900	10	5	300	10	25	150	1	1
SX51-400X	SX50-400X	400 $\pm$ 20%	800	1000	10	5	300	10	25	150	1	1
SX51-470X	SX50-470X	470 $\pm$ 20%	900	1100	10	5	300	10	25	150	1	1
SX51-600X	SX50-600X	600 $\pm$ 20%	1300	1500	10	5	300	10	25	150	1	1
SX51-800X	SX50-800X	800 $\pm$ 20%	1500	1700	10	5	300	10	25	150	1	1
SX51-102X	SX50-102X	1000 $\pm$ 20%	1600	1800	5	3	300	10	25	150	1	1
SX51-122X	SX50-122X	1200 $\pm$ 20%	1800	2000	5	3	300	10	25	150	1	1
SX51-152X	SX50-152X	1500 $\pm$ 20%	2200	2400	5	3	300	10	25	150	1	1
SX51-202X	SX50-202X	2000 $\pm$ 20%	2800	3000	5	3	300	10	25	150	1	1
SX51-252X	SX50-252X	2500 $\pm$ 20%	3300	3500	5	3	300	10	25	150	1	1
SX51-302X	SX50-302X	3000 $\pm$ 20%	3800	4000	5	3	300	10	25	150	1	1
SX51-362X	SX50-362X	3600 $\pm$ 20%	4400	4600	5	3	300	10	25	150	1	1
SX51-402X	SX50-402X	4000 $\pm$ 20%	4800	4900	3	1	300	10	25	150	1	1
SX51-452X	SX50-452X	4500 $\pm$ 20%	5000	5300	3	1	300	10	25	150	1	1

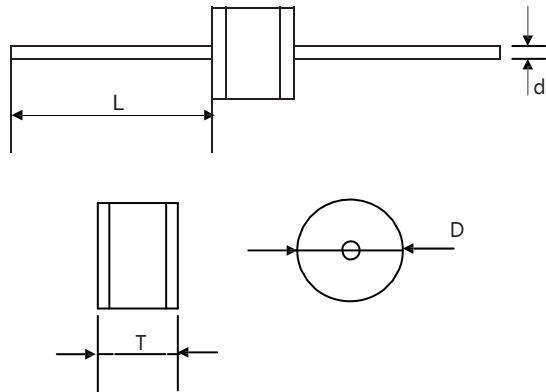
DC Spark-over Voltage	DC Measuring Voltage
70-90V	50V
150-400V	100V
1000-4500V	250V

## Gas Discharge Tubes - SX5 Series

### Dimension

#### SX51 (Axial lead type)

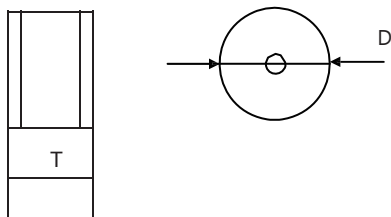
Unit:mm



Item	Dimensions	
	Spec.	Tolerance
D	5.5	+0.3/-0.5
T	6.0	+0.3/-0.5
L	20	Min.
d	0.8	±0.05

#### SX50 (No lead type)

Unit:mm



Item	Dimensions	
	Spec.	Tolerance
D	5.5	+0.3/-0.5
T	6.0	+0.3/-0.5

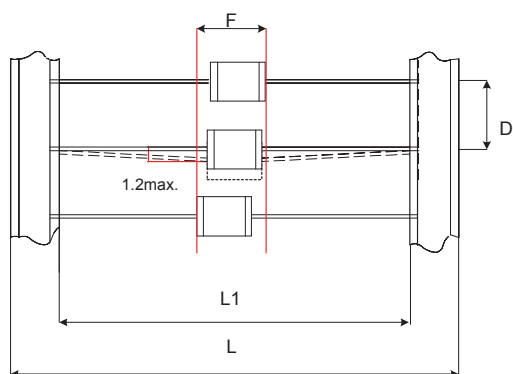
### Packaging Taping

Unit:mm

Plastic Tray (265×147×10mm)	Inner Box (270×145×50mm)	Outside Box (310×280×275mm)
100 PCS/ Plastic Tray	500 PCS/ Box	5,000 PCS/ Carton

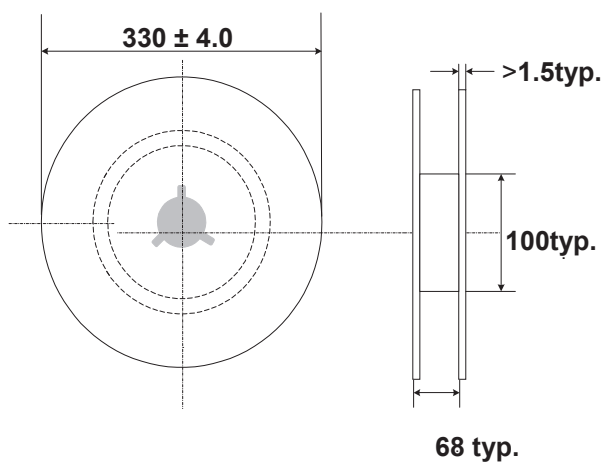
## Gas Discharge Tubes - SX5 Series

**For 2-electrode Axial Lead GDT: 500 PCS/Reel**



Unit:mm

Item	Dimensions	
	Spec.	Tolerance
L1	52	±2
L	64	±3
D	10	±0.5
F	T+1.4	Max.



### Warehouse Storage Conditions of Products

• Storage Conditions:

1. Storage Temperature:  $-10^{\circ}\text{C} \sim +40^{\circ}\text{C}$

2. Relative Humidity:  $\leq 75\% \text{RH}$

3. Keep away from corrosive atmosphere and sunlight.

• Period of Storage: 1 year

## X-ON Electronics

Largest Supplier of Electrical and Electronic Components

*Click to view similar products for [surging manufacturer](#):*

Other Similar products are found below :

[SE83-470X](#) [SE83-150X](#) [SE33-90X](#) [SSMD26-141N](#) [SX51-350X](#) [SMD75XM](#) [SXH81-75X](#) [SX51-150X](#) [SE90-90X](#) [SXH81-202X](#) [SXH81-152X](#) [SXH81-252X](#) [SE90-150X](#) [SXH81-362X](#) [SX51-402X](#) [SE83-75X](#) [SXH81-800X](#) [SX51-102X](#) [SX51-230X](#) [SX50-470X-SG](#) [SX50-600X](#) [SXH81-102X](#) [SX51-75X](#) [SX50-90X-SG](#) [SX50-800X-SG](#) [SXH81-230X](#) [SX51-152X](#) [SX51-452X](#) [SXH80-230X-SG](#) [SE33-75X](#) [SXH80-350XSMD](#) [SE80-90X](#) [SXH81-302X](#) [SX51-470X](#) [SXH81-350X](#) [SX60-600XSMDT](#) [SX60-90XSMDT](#) [SX60-75XSMDT](#) [SE90-75X](#) [X5-600XSMDT](#) [X5-90XSMDT](#) [SX51-252X](#) [SX51-202X](#) [SX50-75X-SG](#) [SXH81-470X](#) [SMD400XM](#) [SSMD26-301M](#) [SX51-302X](#) [SSMD26-201M](#) [SX51-800X](#)