

SURGiNG

紹 鑫 實 業



SurgeArresters

陶瓷气体放电管

SXH8 Series

Gas Discharge Tubes - SXH8 Series



GDT introduction: Gas discharge tubes (GDT) use noble gases enclosed in ceramic tubes to provide an alternate circuit path for voltage spikes. The ceramic envelope and with nickel connectors allow for high loads and Surging offers products that function at 20KA, 40KA, 50KA, 60KA, 100KA & 150KA. The breakdown voltages of the devices have a wide range (up to 20% tolerance). Major applications are high frequency telecommunication lines, stations, security systems, HID and high quality Surge Protection Devices (SPD).

Features

- | | |
|--------------------------------------|--|
| 1. RoHS & HF compliant | 5. Low capacitance |
| 2. Rugged ceramic-metal construction | 6. Agency recognition :UL/cUL |
| 3. Available with or without leads | 7. Operating temperature : -30°C ~ +85°C |
| 4. DC spark-over voltage: 70~3600V | Storage temperature: -40°C ~ +115°C |

Recommended Applications

- | | |
|----------------|-------------------------|
| 1. Cable Modem | 5. Power supplier |
| 2. xDSL | 6. Consumer electronics |
| 3. Set-Top Box | |
| 4. TV sets | |

Part Number Code

SXH8 0 - 230X SMDT

Series:

SX5系列: φ5.5*6
SXH8系列: φ8*6

Lead Type:

0=SMD
1=Thrust

DC Line Voltage:

90X=90V
230X=230V
102X=1000V

Package:

SMD=Cylinder No Lead
SMDT=2-SMD Cylinder Square End

Gas Discharge Tubes - SXH8 Series

Electrical Characteristics

| Part No. | | DC Spark-over Voltage | Maximum Impulse Breakdown Voltage | | Max. Impulse Discharge Current (8/20 μ s) | | Impulse Life (10/1000 μ s) | Normal Alternating Discharge Current | | DC Holdover Voltage | Minimum Insulation Resistance | Maximum Capacitance (1MHz) |
|------------|------------|-----------------------|-----------------------------------|--------------|---|----------|--------------------------------|--------------------------------------|-----------|---------------------|-------------------------------|----------------------------|
| | | | 100V/ μ S | 1KV/ μ s | 1 times | 10 times | | 100 A | 50Hz 1Sec | | | |
| DIP | SMD | (V) | (V) | (V) | (KA) | | Times | (A) | | (V) | (G Ω) | (pF) |
| SXH81-70X | SXH80-70X | 70 \pm 20% | 500 | 600 | 20 | 10 | 300 | 20 | 65 | 52 | 1 | 1 |
| SXH81-75X | SXH80-75X | 75 \pm 20% | 500 | 600 | 20 | 10 | 300 | 20 | 65 | 52 | 1 | 1 |
| SXH81-90X | SXH80-90X | 90 \pm 20% | 500 | 600 | 20 | 10 | 300 | 20 | 65 | 52 | 1 | 1 |
| SXH81-120X | SXH80-120X | 120 \pm 20% | 500 | 700 | 20 | 10 | 300 | 20 | 65 | 52 | 1 | 1 |
| SXH81-150X | SXH80-150X | 150 \pm 20% | 500 | 700 | 20 | 10 | 300 | 20 | 65 | 52 | 1 | 1 |
| SXH81-230X | SXH80-230X | 230 \pm 20% | 500 | 700 | 20 | 10 | 300 | 20 | 65 | 80 | 1 | 1 |
| SXH81-250X | SXH80-250X | 250 \pm 20% | 500 | 700 | 20 | 10 | 300 | 20 | 65 | 135 | 1 | 1 |
| SXH81-300X | SXH80-300X | 300 \pm 20% | 700 | 900 | 20 | 10 | 300 | 20 | 65 | 150 | 1 | 1 |
| SXH81-350X | SXH80-350X | 350 \pm 20% | 700 | 900 | 20 | 10 | 300 | 20 | 65 | 150 | 1 | 1 |
| SXH81-400X | SXH80-400X | 400 \pm 20% | 800 | 1000 | 20 | 10 | 300 | 20 | 65 | 150 | 1 | 1 |
| SXH81-470X | SXH80-470X | 470 \pm 20% | 900 | 1100 | 20 | 10 | 300 | 20 | 65 | 150 | 1 | 1 |
| SXH81-600X | SXH80-600X | 600 \pm 20% | 1100 | 1300 | 20 | 10 | 300 | 20 | 65 | 150 | 1 | 1 |
| SXH81-800X | SXH80-800X | 800 \pm 20% | 1500 | 1700 | 20 | 10 | 300 | 20 | 65 | 150 | 1 | 1 |
| SXH81-102X | SXH80-102X | 1000 \pm 20% | 1600 | 1800 | 15 | 10 | 300 | 10 | 65 | 150 | 1 | 1 |
| SXH81-122X | SXH80-122X | 1200 \pm 20% | 1800 | 2000 | 15 | 10 | 300 | 10 | 65 | 150 | 1 | 1 |
| SXH81-152X | SXH80-152X | 1500 \pm 20% | 2200 | 2400 | 10 | 5 | 300 | 10 | 65 | 150 | 1 | 1 |
| SXH81-162X | SXH80-162X | 1600 \pm 20% | 2400 | 2600 | 10 | 5 | 300 | 10 | 65 | 150 | 1 | 1 |
| SXH81-202X | SXH80-202X | 2000 \pm 20% | 2800 | 3000 | 10 | 5 | 300 | 10 | 65 | 150 | 1 | 1 |
| SXH81-252X | SXH80-252X | 2500 \pm 20% | 3300 | 3500 | 10 | 5 | 300 | 10 | 65 | 150 | 1 | 1 |
| SXH81-302X | SXH80-302X | 3000 \pm 20% | 3800 | 4000 | 10 | 5 | 300 | 10 | 65 | 150 | 1 | 1 |
| SXH81-362X | SXH80-362X | 3600 \pm 20% | 4400 | 4600 | 10 | 5 | 300 | 10 | 65 | 150 | 1 | 1 |
| SXH81-402X | SXH80-402X | 4000 \pm 20% | 4000 | 6000 | 5 | 3 | 300 | 5 | 65 | 150 | 1 | 1 |
| SXH81-452X | SXH80-452X | 4500 \pm 20% | 4500 | 6500 | 5 | 3 | 300 | 5 | 65 | 150 | 1 | 1 |

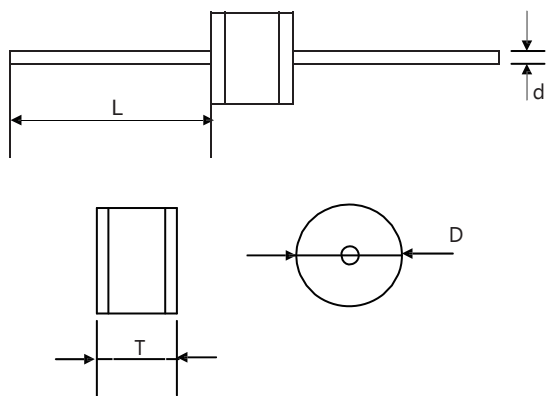
| DC Spark-over Voltage | DC Measuring Voltage |
|-----------------------|----------------------|
| 70-90V | 50V |
| 120-800V | 100V |
| 1000-4500V | 250V |

Gas Discharge Tubes - SXH8 Series

Dimension

SXH81 (Axial lead type)

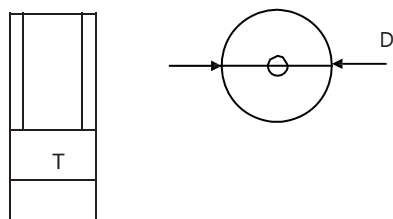
Unit:mm



| Item | Dimensions | |
|------|------------|-----------|
| | Spec. | Tolerance |
| D | 8.0 | +0.3/-0.5 |
| T | 6.0 | +0.3/-0.5 |
| L | 20 | Min. |
| d | 0.8 | ±0.05 |

SXH80 (No lead type)

Unit:mm



| Item | Dimensions | |
|------|------------|-----------|
| | Spec. | Tolerance |
| D | 8.0 | +0.3/-0.5 |
| T | 6.0 | +0.3/-0.5 |

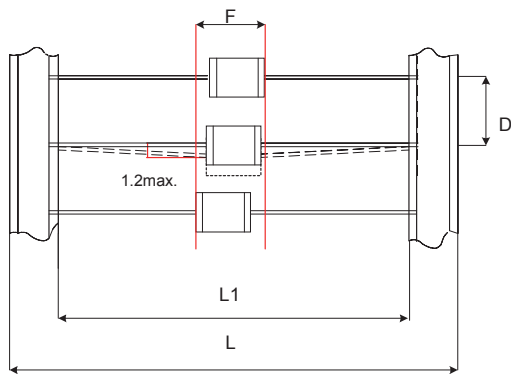
Packaging Taping

Unit:mm

| Plastic Tray (252×135×10mm) | Inner Box (270×145×50mm) | Outside Box (310×280×275mm) |
|--------------------------------|-----------------------------|--------------------------------|
| | | |
| 100 PCS/ Plastic Tray | 500 PCS/ Box | 5,000 PCS/ Carton |

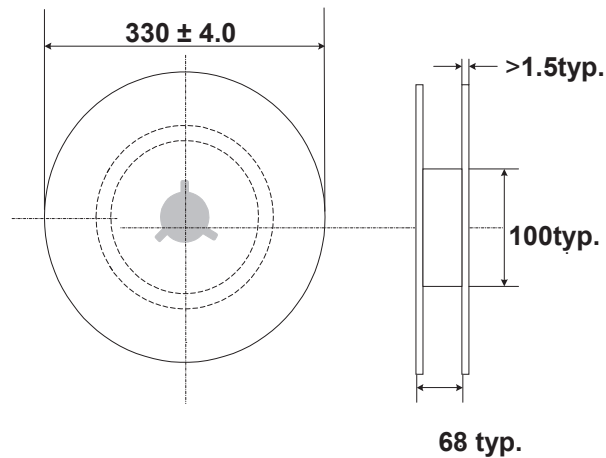
Gas Discharge Tubes - SXH8 Series

For 2-electrode Axial Lead GDT: 500 PCS/Reel



Unit:mm

| Item | Dimensions | |
|------|------------|-----------|
| | Spec. | Tolerance |
| L1 | 52 | ±2 |
| L | 64 | ±3 |
| D | 10 | ±0.5 |
| F | T+1.4 | Max. |



Warehouse Storage Conditions of Products

• Storage Conditions:

1. Storage Temperature: -10°C~+40°C
2. Relative Humidity: ≤75%RH
3. Keep away from corrosive atmosphere and sunlight.

• Period of Storage: 1 year

X-ON Electronics

Largest Supplier of Electrical and Electronic Components

Click to view similar products for [Gas Discharge Tubes - GDTs / Gas Plasma Arrestors](#) *category:*

Click to view products by [SURGING](#) *manufacturer:*

Other Similar products are found below :

[PMT1023004](#) [PMT1025001](#) [PMT1035004](#) [PMT1040004](#) [PMT809006](#) [CG2250](#) [CG2800](#) [CG31.5L](#) [GT-SMD181240012-TR](#) [WPGT-2N145B6L](#) [WPGT-2N230B6L](#) [WPGT-2N470B6L](#) [WPGT-2R470B6L](#) [WPGT-2RM230A6L](#) [WPGT-2RM350A6L](#) [WPGT-2RM70A6L](#) [WPGT-2RM90A6L](#) [WPGT-2S145](#) [WPGT-2S350](#) [WPGT-2S470](#) [WPGT-3R350CF](#) [WPGT-3R350G1](#) [WPGT-3R90G1](#) [WPGT-3R75G1](#) [WPGT-3R470G1](#) [WPGT-3R250C](#) [WPGT-3R230G1](#) [WPGT-2S230](#) [WPGT-2RM470A6L](#) [WPGT-2RM145A6L](#) [WPGT-2R3000B8L](#) [WPGT-2R2700B8L](#) [WPGT-2R1000B8L](#) [WPGT-2N90B6L](#) [WPGT-2N70B6L](#) [WPGT-2N350B6L](#) [WPGT-2N230B6L1](#) [CG90](#) [CG2230](#) [CG2145](#) [CG21000](#) [GT-SMD181215012-TR](#) [T61-C350X](#) [9071.99.0547 \(73_Z-0-0-547\)](#) [9071.99.0548 \(73_Z-0-0-548\)](#) [B88069X6940B152](#) [9071.99.0052\(73_Z-0-0-52\)](#) [B88069X1973T902](#) [V20-1+NPE-280](#) [A9L15692](#)