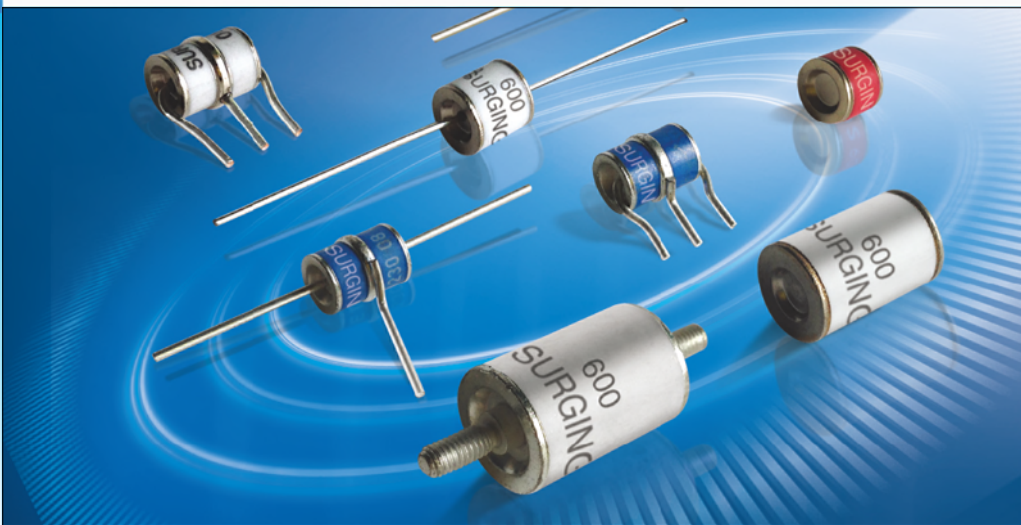


SURGiNG

紹 鑫 實 業



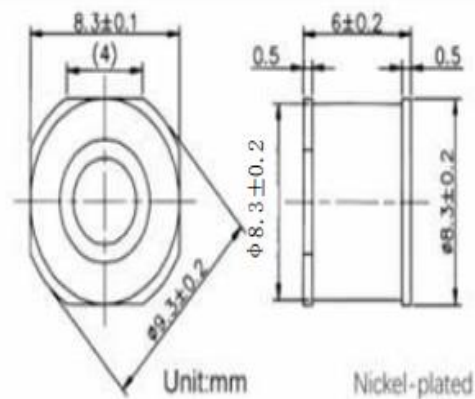
SurgeArresters

陶瓷气体放电管

X8 Series

Gas Discharge Tubes - X8 Series

>>> 产品尺寸 Product size



» 产品特点 Feature :

- ◆无放射性 Non-Radioactive
- ◆符合 ROHS Compliant
- ◆贴片设备 SMD Device
- ◆低电容 LOW Capacitance
- ◆高绝缘电阻 High insulation resistance
- ◆快速响应时间 Fast response-time

» 产品应用 Applications:

- ◆电话/传真/调制解调器保护 Telephone/Fax/modem protection
- ◆信号线保护 Data/Single line protection
- ◆XDSL 分路器 XDSL Splitter
- ◆有线电视/同轴电缆保护 Cable TV/ Coaxial cable protection
- ◆分支交换机 Branch exchange
- ◆电子用品 Consumer electronic

» 性能参数 Performance Parameter

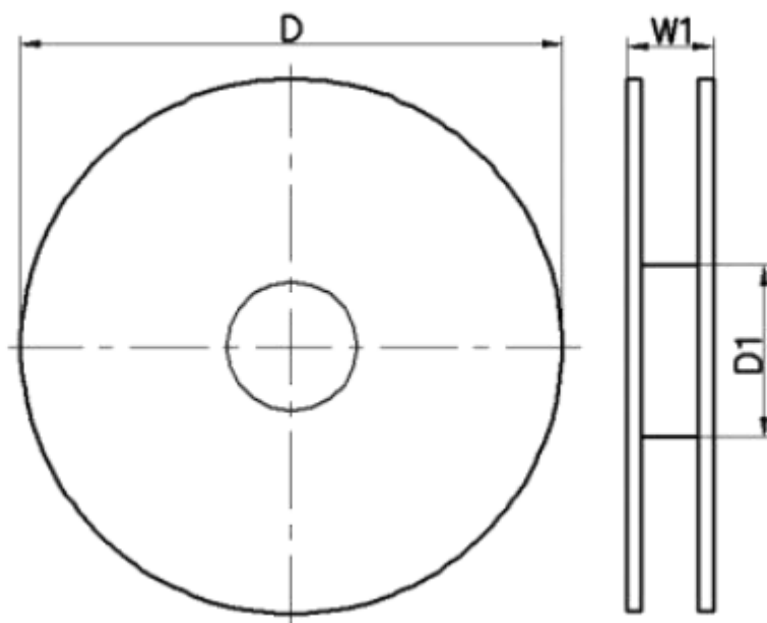
Part number	DC spark-over Voltage	Impulse spark-over Voltage	Impulse Discharge current		AC discharge current 50Hz	Electrode Capacitance	Insulation resistance	DC Holdover voltage
	100V/S	1KV//μs	8/20 μs ± 5 times	10/1000 μs 5A	1S, 5 times	1MHz		
X8-75XSMDT	75V ±20%	<600V	20KA	300times	20A	<1.5pr	>1GQ	52V
X8-90XSMDT	90V ±20%	<600V	20KA	300times	20A	<1.5pr	>1GQ	52V
X8-150XSMDT	150V ±20%	<600V	20KA	300times	20A	<1.5pr	>1GQ	80V
X8-230XSMDT	230V ±20%	<700V	20KA	300times	20A	<1.5pr	>1GQ	135 V
X8-250XSMDT	250V ±20%	<700V	20KA	300times	20A	<1.5pr	>1GQ	135 V
X8-350XSMDT	350V ±20%	<800V	20KA	300times	20A	<1.5pr	>1GQ	150 V
X8-470XSMDT	470V ±20%	<1000V	20KA	300 times	20A	<1.5pr	>1GQ	150V
X8-600XSMDT	600V ± 20%	<1200V	20KA	300times	20A	<1.5pr	>1GQ	150 V
X8-800XSMDT	800V ±20%	<1400V	10KA	300times	10A	<1.5pr	>1GQ	150V

Notes:

1. Insulation resistance measure at:
DC 50V for the X8-75XSMDT X8-90XSMDT and X8-150XSMDT DC 200V for other.
2. Terms in accordance with ITU-T K. 12 and GB/T 9043-2008
3. At delivery AQL 0.65 level H DIN ISO 2859

Gas Discharge Tubes - X8 Series

D (mm)	D1 (mm)	W1 (mm)	QTY: 600PCS
330	10	24	



»包装(Packageandquantity)

包装类型 Outline	卷筒直径(毫米) ReelDiameters(mm)	数量 (盒) QTY(PCS)PerBox	数量 (外箱) QTY(PCS)PerCarton	外箱尺寸(毫米) CartonSize(mm)		
				L	W	H
编带 Taping	330	600	6000	345±2.00	355±2.00	225±2.00

»料号(Part Numbering)

X8 - 90X SMDT

Series:
X8系列: $\phi 8.3 \times 8.3 \times 6$
S5系列: $\phi 5 \times 5$

DCLineVoltage:
90X=90V
230X=230V

Package:
SMD=Cylinder No Lead
SMDT=2-SMD Cylinder Square End

X-ON Electronics

Largest Supplier of Electrical and Electronic Components

Click to view similar products for [Gas Discharge Tubes - GDTs / Gas Plasma Arrestors](#) category:

Click to view products by [SURGING](#) manufacturer:

Other Similar products are found below :

[PMT1023004](#) [PMT1025001](#) [RF3161-000](#) [PMT1035004](#) [PMT1040004](#) [PMT809006](#) [CG2250](#) [CG2800](#) [CG31.5L](#) [GT-SMD181240012-TR](#)
[WPGT-2N145B6L](#) [WPGT-2N230B6L](#) [WPGT-2N470B6L](#) [WPGT-2R470B6L](#) [WPGT-2RM230A6L](#) [WPGT-2RM350A6L](#) [WPGT-](#)
[2RM70A6L](#) [WPGT-2RM90A6L](#) [WPGT-2S145](#) [WPGT-2S350](#) [WPGT-2S470](#) [WPGT-3R350CF](#) [WPGT-3R350G1](#) [WPGT-3R90G1](#) [WPGT-](#)
[3R75G1](#) [WPGT-3R470G1](#) [WPGT-3R250C](#) [WPGT-3R230G1](#) [WPGT-2S230](#) [WPGT-2RM470A6L](#) [WPGT-2RM145A6L](#) [WPGT-2R3000B8L](#)
[WPGT-2R2700B8L](#) [WPGT-2R1000B8L](#) [WPGT-2N90B6L](#) [WPGT-2N70B6L](#) [WPGT-2N350B6L](#) [WPGT-2N230B6L1](#) [CG90](#) [CG2230](#)
[CG2145](#) [CG21000](#) [GT-SMD181215012-TR](#) [9071.99.0547 \(73_Z-0-0-547\)](#) [B88069X6940B152](#) [V20-1+NPE-280](#) [V20-3+NPE+FS-280](#)
[SD09-V24 9](#) [C50-0-255](#) [SG24PA300](#)