

swissbit®

Product fact sheet

## CFAST™- adapter SATA to CFast Device Adapter

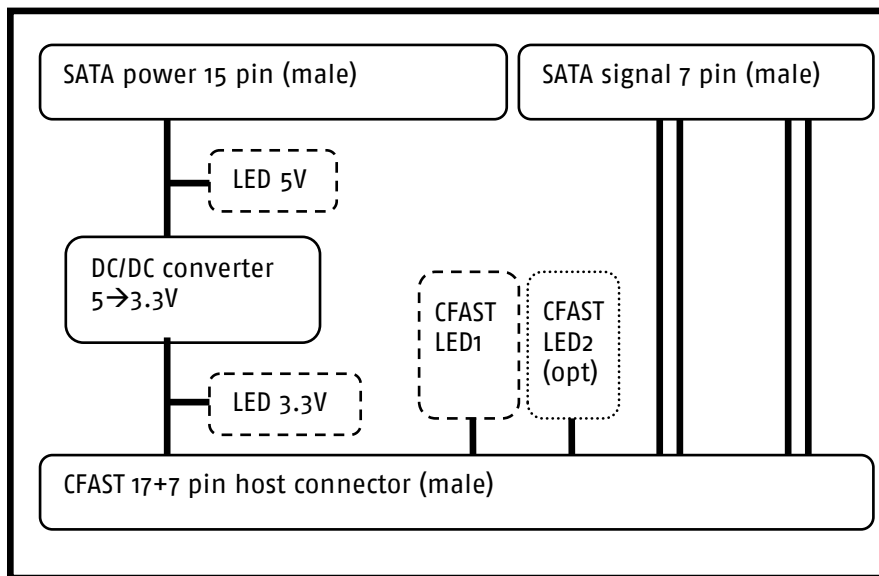
BU: Swissbit Group  
Date: 19 November 2012  
Revision: 1.10  
CFast-Adapter\_fact sheet\_Rev110.doc



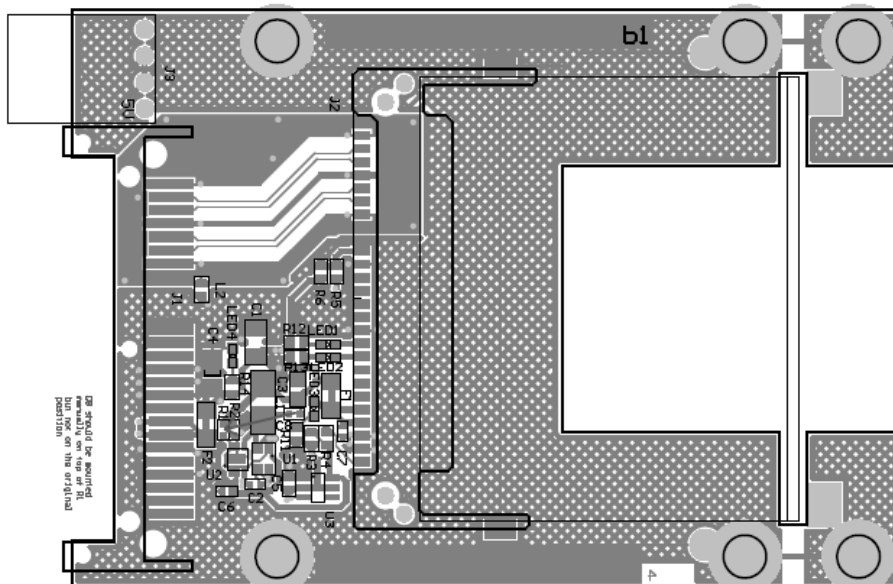
## 2.5" SATA host to CFAST™ Card Adapter

### Feature summary

- Adapter to connect CFAST cards to SATA standard Hosts
- Standard SATA data (7pin)+Power (15pin) connector (male)
- CFAST-Connector (7+17pin)
- SATA straight signal connection
- PWM Step-Down DC/DC converter (5V to 3.3V, max 600mA)
- Input voltage 3.4...5.5V
- 4 Optional LED
  - 5V voltage
  - 3.3V voltage
  - CFAST LED1 (transfer indicator)
  - CFAST LED2 (currently not assembled)
- CDI/CDO jumper
- Optional Fuse footprints
- Mechanical compatible with Swissbit's 2.5" X-200 SSD housing
- Standard only CFAST connector
- optional metal cap



optional metal cap



**Table 1: Electrical parameters**

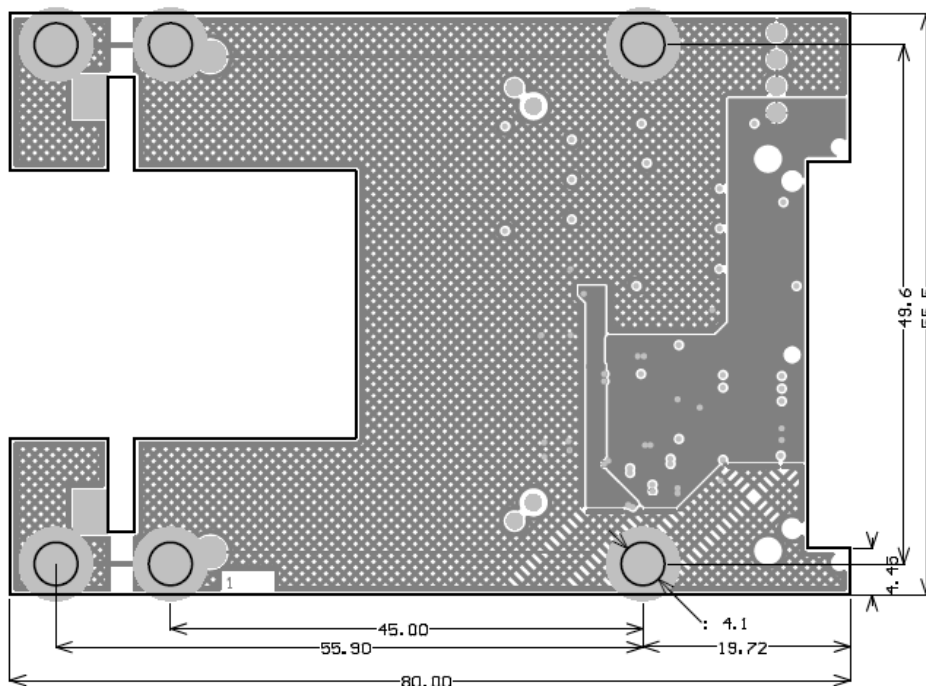
Current Consumption	min	typ	max	Unit
Input voltage	3.5	5.0	5.5	V
Output voltage	3.2	3.3	3.4	
Max. permanent current @3.3V			600	mA

**Table 2: Environmental Specifications**

Environmental Specifications	Operating	Non Operating
Temperature	-40 to 85°C	-50 to 100°C
Humidity (non-condensing)	85% RH 85°C, 1000 hrs (JEDEC JESD22, method A101-B)	
Vibration (peak -to-peak)	tbd	
Shock	tbd	
Connector Durability	>10,000 (CFAST) / >1000 (SATA)	

**Table 3: Physical Dimensions**

Physical Dimensions	Unit
Width	55.5
Length	80 (could be cut to 69)
Thickness	5.5
Weight (typ.)	10



The CFA logo and CFast are trademarks of the CompactFlash Association.  
 For more information on the CFast interface, please visit Compact Flash Organization at [www.compactflash.org](http://www.compactflash.org)  
 For more information on Serial ATA Revision 2.6, please visit Serial ATA International Organization at [www.serialata.org](http://www.serialata.org)



### Why Swissbit?

Swissbit strives to create innovative technologies for future market opportunities utilizing a highly skilled in-house product research and development team. Swissbit maintains a marketing edge by continuing to manufacture world-class high quality memory products and providing customers with both high value and low cost of ownership achieved through efficient processes and procedures.

## X-ON Electronics

Largest Supplier of Electrical and Electronic Components

*Click to view similar products for [Modules Accessories](#) category:*

*Click to view products by [Swissbit](#) manufacturer:*

Other Similar products are found below :

[7010-0001](#) [AX98219](#) [A1UL8RISER](#) [F1UJPMICRISER](#) [FHW1U16RISER](#) [20-101-0440](#) [2828736-1](#) [MBCDROM](#) [AX61221TM](#) [VM-105](#)  
[EA CARREDIPTFT02](#) [RK-210E-B](#) [E226171106](#) [88606200030E](#) [SI-HDMI-EDID-EM](#) [MIC-75M13-00A1E](#) [FPM-1000T-SMKE](#) [AMK-](#)  
[R004E](#) [96FMCF-ST2ADAPTER1](#) [AHWKPTP12GBGB](#) [AXXSTCPUCAR](#) [FPK-07-R10](#) [Mini Din 6P to 6P HARNESS](#) [FPF1320 POWER](#)  
[MULTIPLEXER CARRIER](#) [881261510A0E](#) [AXXP3SWX08080](#) [conga-B7XD/CSP-Cu-B](#) [881281021A0E](#) [HFT for mounting KIT](#)  
[FN928X\\_FN929X](#) [BB-MH112-1A](#) [15100600](#) [9-5000-1116](#) [BKCMCR1ABB](#) [70763](#) [98R3612003E](#) [881261910A0E](#) [106897](#) [48222R](#)  
[BREAK OUT BOARD 20](#) [4D ARDUINO ADAPTOR SHIELD II](#) [20926110901](#) [PYCASE GREEN](#) [PYCASE BLUE](#) [FP15072\\_ZORYA-SC-](#)  
[HEKLA](#) [20952000004](#) [20953000007](#) [DP-DVI-R10](#) [575-BBIS](#) [RACK-220GW/A130B](#) [492-BBKM](#)