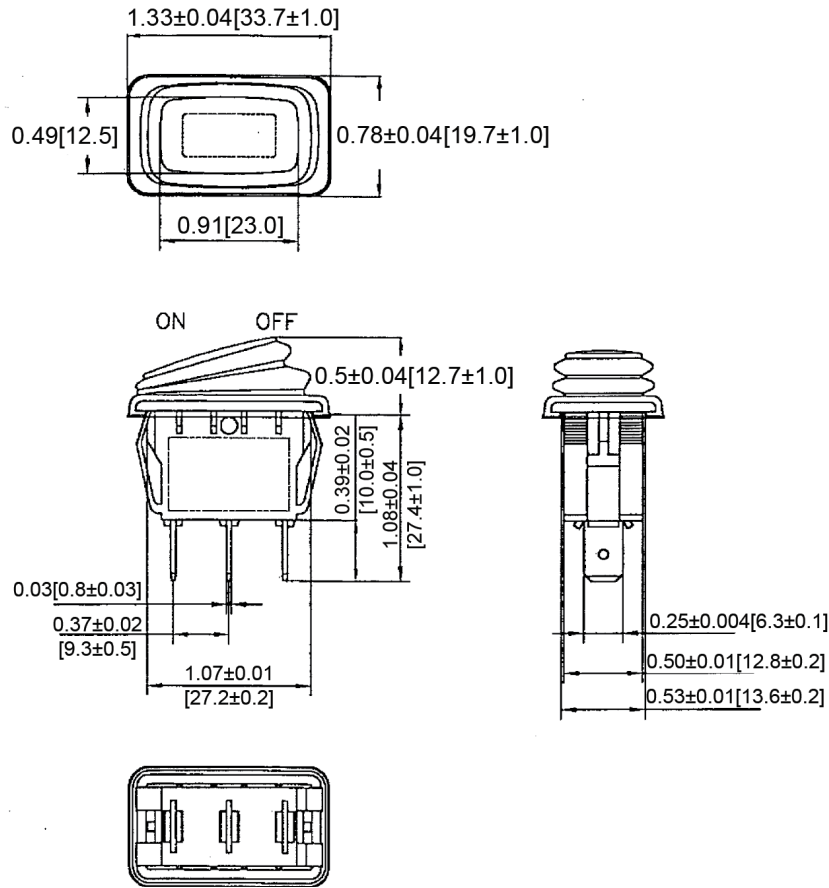
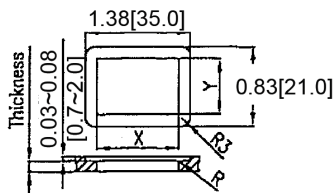


## Mechanical Dimensions: Inches [mm]

Tolerances  $\pm 0.012$  [0.3] Unless Otherwise Specified



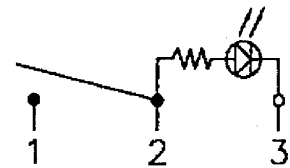
## Mounting Hole



Thickness	X	Y
0.03~0.1 [0.75~2.5]	1.09 [27.6-0.1]	0.5 [13.8+0.1]
0.1~0.14 [2.5~3.5]	1.09 [27.8-0.1]	0.5 [13.8+0.1]
0.14~0.18 [3.5~4.5]	1.10 [28.0-0.1]	0.5 [13.8+0.1]

## Circuit Diagram

3P SPST OFF-ON (LED-D)



## Electrical Specifications

<b>Rating</b>	16A 12VDC	<b>Frame</b>	Black, Nylon 66
<b>Contact Resistance</b>	50m ohm Max.	<b>Actuator</b>	Amber, Nylon#66+30%GF
<b>Insulation Resistance</b>	DC 500V 100M ohm Min.	<b>Terminals</b>	1,2: Copper alloy, Silver plated 3: Brass alloy
<b>Dielectric Strength</b>	AC 1500V 1 minute	<b>LED</b>	Amber (Dependent)
<b>Operation Temperature</b>	-25° C-85° C	<b>Waterproof</b>	IP65, Black Silicone Rubber

Rev	Date of issue	Revision Notes	Designed	Approved
B	05-04-2020	Initial Drawing	RC	OF

## X-ON Electronics

Largest Supplier of Electrical and Electronic Components

*Click to view similar products for [Rocker Switches](#) category:*

*Click to view products by [SWITCH COMPONENTS](#) manufacturer:*

Other Similar products are found below :

[LTI LA6E-1S-WH-RC-FN12VXCR1](#) [6-1571986-9](#) [8007K26N324V52](#) [8055K23Z7V](#) [8055K32Z7V](#) [8055K52Z7V](#) [8138K20E6M50](#)  
[PREDD4-07F-BB0FW](#) [PREDD5-07F-BB0GW](#) [999-16716-002](#) [A101J1V3Q004](#) [A103J1ZQ004](#) [A201J1AQ004](#) [A201J50ZQ004](#)  
[H8653VBBG2577W](#) [HB130CHNWWNAAC](#) [R13112ABB-602W](#) [1251.0303](#) [1352.0107](#) [1500G51E](#) [1571099-3](#) [1571987-4](#) [1571987-5](#)  
[1571988-5](#) [B123J77V7B2](#) [160212E](#) [1634200-7](#) [1801.1164](#) [PANEL-PLUG-VHP-BLACK](#) [PANEL-PLUG-VHP-WT](#) [K2ABAAAAAA](#)  
[250011E714](#) [2600R21E](#) [260413E](#) [2639LH/2A7/127000L0](#) [LL3AZXX-100-XGT1](#) [LL3AZXX-100-XHS1](#) [LL3AZXX-100-XSD1](#) [30-695B](#)  
[160311E](#) [A103J3ZQ004](#) [A201J61ZQ0004](#) [1852.1102](#) [1890.1104](#) [191.081.011](#) [AE107J1AQ004](#) [1935.3128](#) [1935.3133](#) [1MR7-B](#)  
[SY236CD6U622](#)