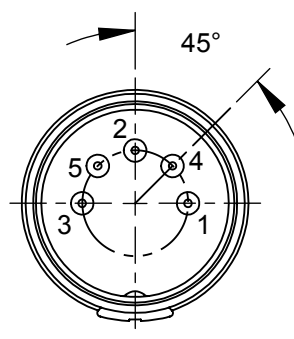
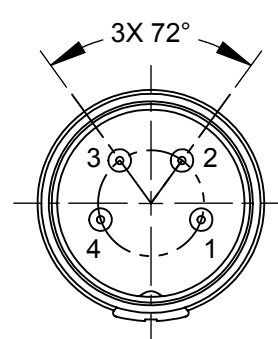


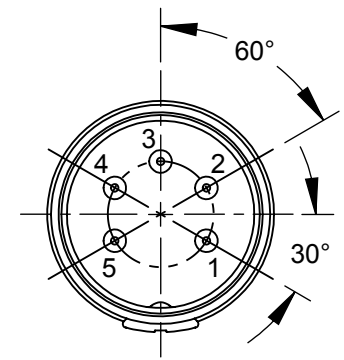
05BL3MX
3 PINS AT 180°



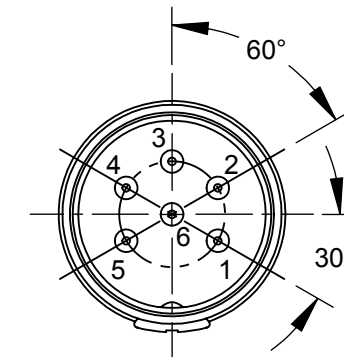
05BL5MX
5 PINS AT 180°



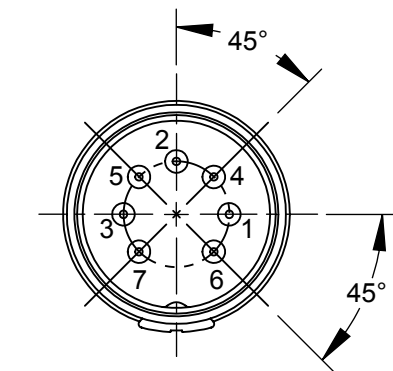
09BL4MX
4 PINS AT 216°



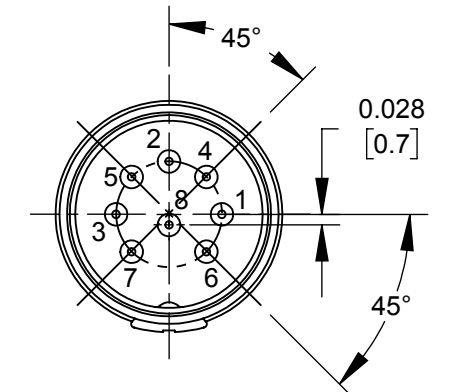
12BL5MX
5 PINS AT 240°



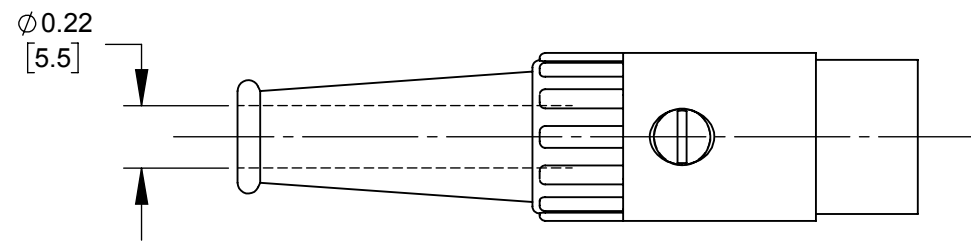
12BL6MX
6 PINS AT 240°



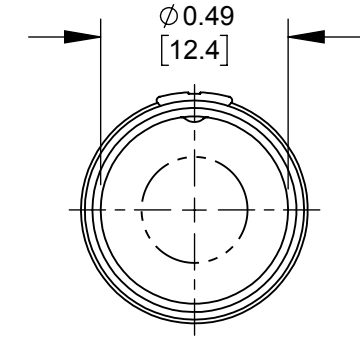
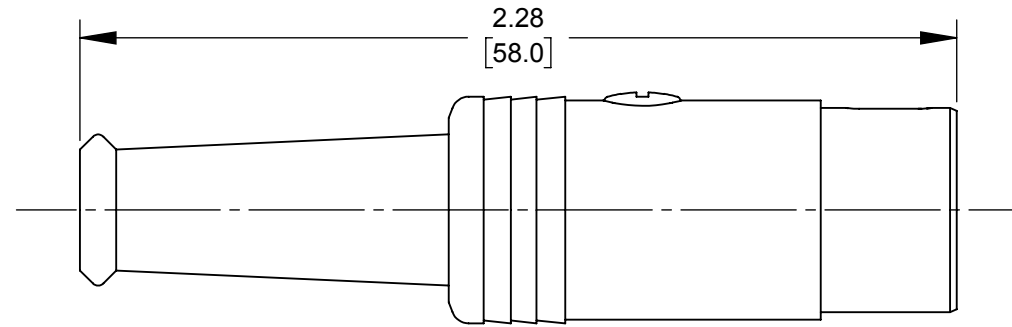
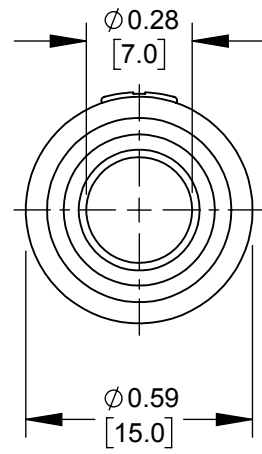
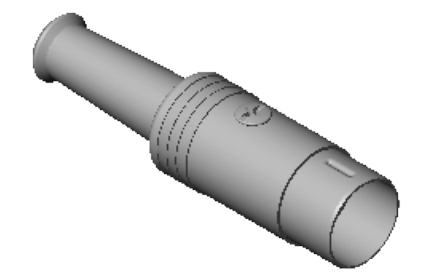
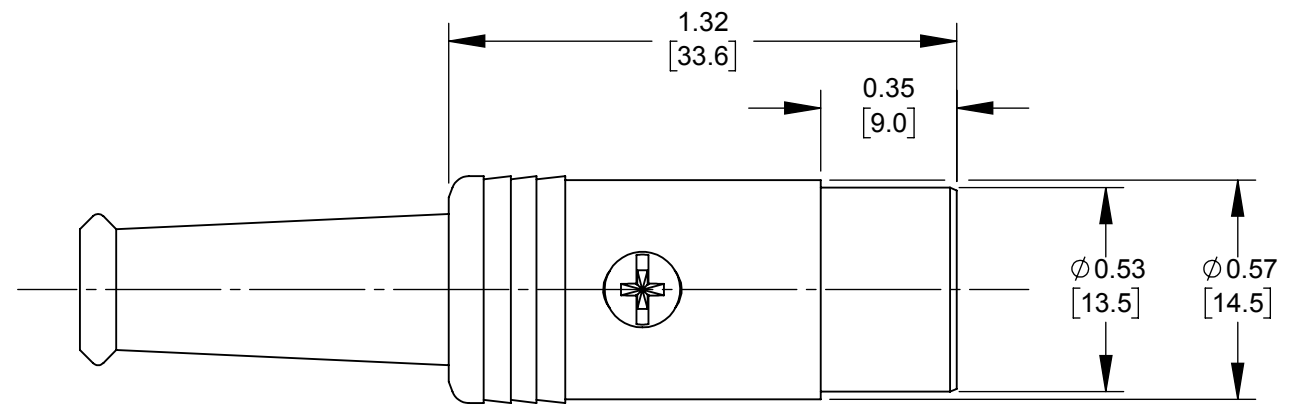
15BL7MX
7 PINS AT 270°



15BL8MX
8 PINS AT 270°



ALTERNATE DESIGN
NICKEL PLATED ZINC ALLOY HOUSING
SCALE 3:2



CUSTOMER DRAWING

- NOTES:
- PARTS SHIPPED ASSEMBLED.
 - Ø 0.04 [1.0mm] X 0.06 [1.5mm] DEEP HOLE IN PIN FOR SOLDERING.
 - MATERIALS:
HOUSING - COPPER ALLOY, NICKEL PLATED
FLEX RELIEF - THERMOPLASTIC, BLACK
INSERT - THERMOPLASTIC, BLACK
PINS - COPPER ALLOY, TIN PLATED
CABLE CLAMP - STEEL, NICKEL PLATED
SCREW - STEEL, NICKEL PLATED
 - THESE PRODUCTS ARE RoHS COMPLIANT.

REV	ECO NUMBER	DATE	BY	APVD
A	25265 & 26000	3/3/06	TJK	TJK
REVISIONS				

UNLESS OTHERWISE SPECIFIED

1. ALL DIMENSIONS IN INCHES
- TWO PLACE DECIMALS ±0.02
- THREE PLACE DECIMALS ±0.005

DO NOT SCALE DRAWING

THIS DRAWING DESCRIBES A DESIGN CONSIDERED PROPRIETARY IN NATURE, DEVELOPED AND MANUFACTURED BY SWITCHCRAFT INC. AND IS RELEASED ON A CONFIDENTIAL BASIS FOR IDENTIFICATION PURPOSES ONLY.									
SIZE	WIDTH	MULT	LBS/M	TEMPER					
FINISH					MATERIAL				
SPEC No.					SPEC No.				
FIRST USED ON					SCALE 2:1				
DATE DRAWN	BY	CHKD TO	APVD TJK						
5-10-13	TO	5-10-13	5-13-13						
NAME MALE DIN, 3-8 PIN CORD PLUG CONNECTOR, RoHS					PART No. 05BL_MX, 09BL_MX, 12BL_MX, 15BL_MX SERIES				
					SHEET 1 OF 1				
					REV A				

X-ON Electronics

Largest Supplier of Electrical and Electronic Components

Click to view similar products for [Circular DIN Connectors](#) category:

Click to view products by [Switchcraft](#) manufacturer:

Other Similar products are found below :

[60KD4M](#) [M83723/76W22326](#) [M83723/78R22327](#) [D38999/26FE99SN L/C](#) [75-190224-28S](#) [7547401103P](#) [75-474014-07L](#) [88-559975-75P](#)
[8R3006A18M0033](#) [PT02E1283P](#) [GTC00G-24-7S](#) [PT05SE1832SWLC](#) [PT05SE1832SYLC](#) [GTC030-20-27PW-LC](#) [GTC030A-20-33S](#)
[PT06SE1811SXLC](#) [1211290078](#) [1211810025](#) [1210120122](#) [1210503216](#) [1211290084](#) [1211500027](#) [ACS06AF-16-10P\(003\)](#)
[D38999/40FB35AN](#) [D38999/40FB35BB](#) [D38999/40WB35BN](#) [D38999/40WD35PN](#) [D38999/40WJ29SN-L/C](#) [D38999/42FB35BN](#)
[D38999/42WB35AB](#) [D38999/42WB35PB-L/C](#) [D38999/42WJ19AN](#) [D38999/44WB35AN](#) [D38999/44WD35BN](#) [D38999/44WH35AN](#)
[D38999/44WJ29BA](#) [D38999/44WJ35PN](#) [D38999/44WJ61BA](#) [D38999/46FB35AC](#) [D38999/46FB35BN](#) [D38999/46FB35SA-L/C](#)
[D38999/46FB99BA](#) [D38999/46FB99BN](#) [D38999/46FJ19SA-L/C](#) [D38999/46FJ29AA](#) [D38999/46FJ29AN](#) [D38999/46FJ29PN-L/C](#)
[D38999/46FJ61BA](#) [D38999/46FJ61SA](#) [D38999/46WF32PN-L/C](#)