

11 X

TERMINAL FINISH OPTIONS:

BLANK - (STD) ELECTRO-TIN PLATED

M - GOLD PLATED SPRINGS WITH GOLD CONTACTS ON RING SPRINGS AND SHUNT SPRINGS (WHEN SHUNTS ARE USED)

RoHS COMPLIANT

TERMINAL OPTIONS:

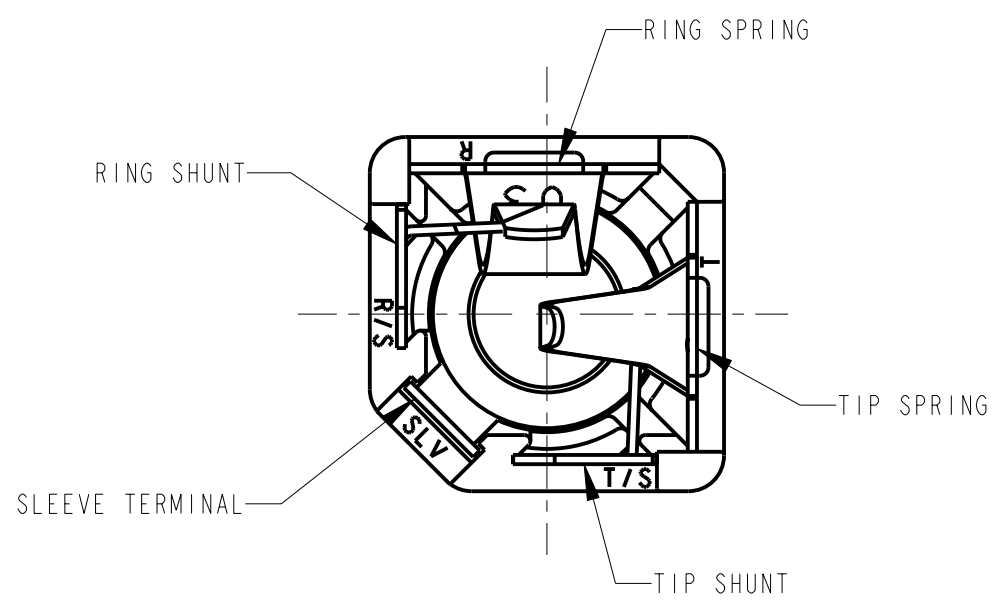
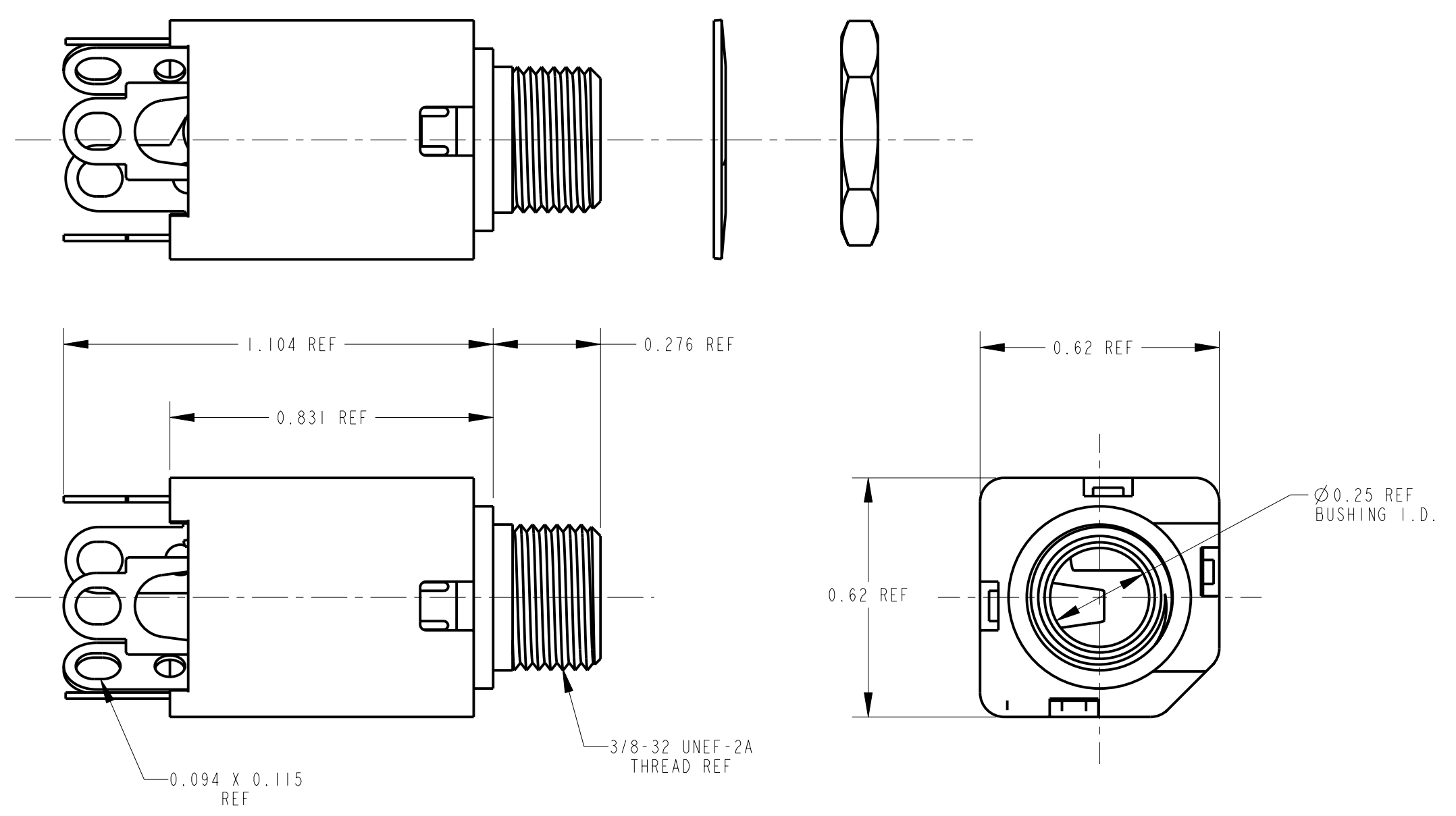
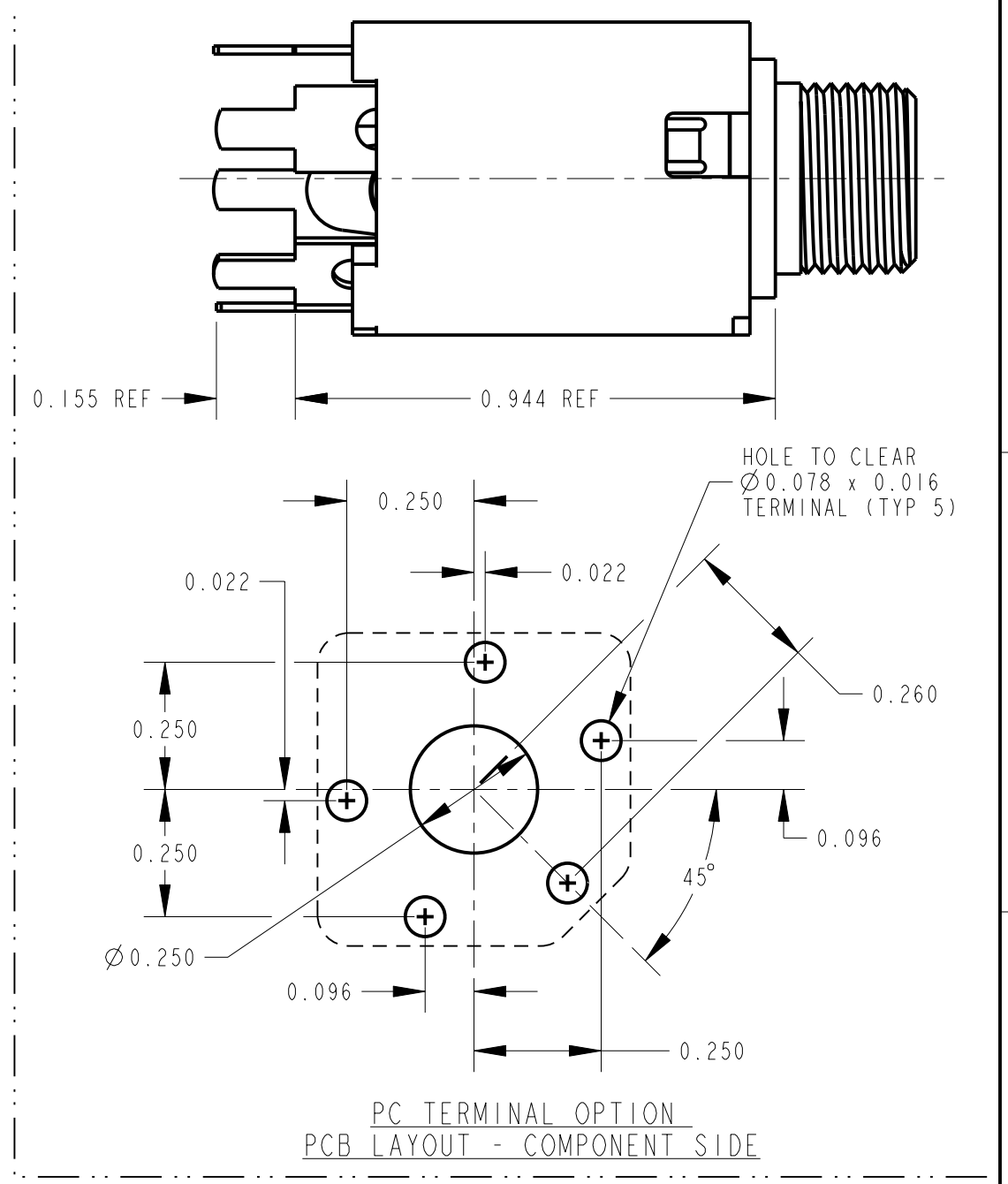
BLANK - SOLDER TERMINAL

PC - 0.078 WIDE PC TAILS

PCS - SNAP-IN PC TAILS

CIRCUITRY OPTIONS:

1 - TIP OPEN CIRCUIT	TIP SLEEVE
2A - TIP CLOSED CIRCUIT	TIP SLEEVE
2B - TIP & RING OPEN CIRCUIT	RING TIP SLEEVE
3 - TIP OPEN CIRCUIT AND ISOLATE "MAKE" CIRCUIT	TIP SLEEVE
3B - TIP CLOSED CIRCUIT AND RING OPEN CIRCUIT (I-C TRANSFER)	RING TIP SLEEVE
3D - 1 TIP CLOSED CIRCUIT AND 1 TIP OPEN CIRCUIT	TIP SLEEVE
3E - TIP OPEN CIRCUIT AND ISOLATED "BREAK" CIRCUIT	TIP SLEEVE
3F - TIP OPEN CIRCUIT AND RING CLOSED CIRCUIT	RING TIP SLEEVE
4B - TIP & RING CLOSED CIRCUIT	RING TIP SLEEVE



- NOTES:
- HARDWARE SHIPPED UNASSEMBLED.
 - MAXIMUM PANEL THICKNESS: 0.156
 - MATERIALS:
HOUSING - POLYESTER GLASS FILLED, BLACK
BUSHING - BRASS, NICKEL PLATED
SLEEVE TERMINAL - BRASS, LEAD FREE ELECTRO-TIN PLATED
SPRINGS - NICKEL SILVER, LEAD FREE ELECTRO-TIN PLATED
LIFTERS - NYLON (113 & 113E CIRCUIT OPTIONS)
WASHER - STEEL, NICKEL PLATED
NUT - BRASS, NICKEL PLATED
 - THIS PRODUCT IS RoHS COMPLIANT.

SOLDER TERMINAL OPTION

REV	ECO NUMBER	DATE	BY	APVD
A	26032	3-25-11	TJK	MW
REVISIONS				

STAR SYMBOL DENOTES CRITICAL DIMENSION

UNLESS OTHERWISE SPECIFIED

- ALL DIMENSIONS IN INCHES
- TWO PLACE DECIMALS ±0.01
- THREE PLACE DECIMALS ±0.005
- ANGLES ±1°
- ALL DIA. CONCENTRIC WITHIN 0.005 T.I.R.
- FEATURES ON THE SAME CENTERLINE MUST BE ALIGNED WITHIN ±0.002
- REMOVE ALL BURRS

DO NOT SCALE DRAWING

CUSTOMER DRAWING

THIS DRAWING DESCRIBES A DESIGN CONSIDERED PROPRIETARY IN NATURE, DEVELOPED AND MANUFACTURED BY SWITCHCRAFT INC. AND IS RELEASED ON A CONFIDENTIAL BASIS FOR IDENTIFICATION PURPOSES ONLY.

SIZE	WIDTH	MULT	LBS/M	TEMPER
FINISH SPEC No.		MATERIAL SPEC No.		
FIRST USED ON		SCALE 3:1		
DATE DRAWN	BY	CHKD	APVD	
4-18-06	TJK	4-18-06	MW	4-18-06
NAME #3/8-32 THREADED BUSHING ∅0.25 I.D., HI-D JACK ASSY, RoHS		PART No. 110X SERIES M110X SERIES		
				REV A

Switchcraft®

SHEET | OF |

X-ON Electronics

Largest Supplier of Electrical and Electronic Components

Click to view similar products for [Switchcraft](#) manufacturer:

Other Similar products are found below :

[8382-2PG-3DC](#) [585](#) [6006L](#) [60324L](#) [60KD4M](#) [M444B](#) [MMVP48K175T](#) [MMVP96K3NNT](#) [913DS](#) [12010X](#) [1200](#) [12011](#) [QGPK1CAT5E](#)
[AAA5FBAUZ](#) [12JL6M](#) [D6MBAU](#) [13033T](#) [13282-18SG-331](#) [13382-10PG-321](#) [DS317](#) [E3FAUQG](#) [E3FDAU](#) [E3FDB](#) [E3FDRAAU](#)
[E3FDRAB](#) [E3FDSTAU](#) [E3FDSTBAU](#) [E3FRAAUQG](#) [E3FSTB](#) [E3FSTBAU](#) [E3MAU](#) [E3MAUQG](#) [EHFW800X2PKG](#) [160](#) [EMHB](#)
[MT334B](#) [MT48FNX](#) [EN3C11F26](#) [EN3P3FP](#) [MVP32K1NTX](#) [175](#) [18QA18](#) [18QF18](#) [18QK18](#) [20QD20N4](#) [20QF20](#) [20QF20N2](#) [20QF20N6](#)
[P10834](#) [P2724](#)