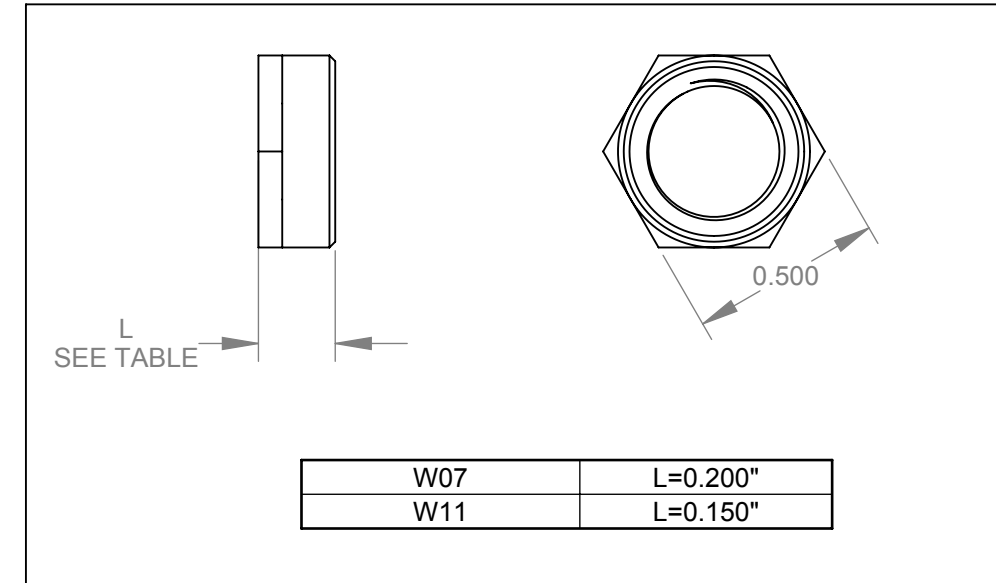


NOTES:

1. INSTALLATION:
 1. INSTALL THE JACK AND THE WASHER (IF NEEDED) FROM THE BACK OF THE PANEL.
 2. INSTALL THE ORING AND THEN THE HEX NUT FROM THE FRON OF THE PANEL.
 3. TIGHTEN THE NUT.
 4. SEE THE TABLE BELOW FOR INSTALLATION INSTRUCTIONS:

Panel thickness /Inches	0.050	0.055	0.060	0.065	0.070	0.075	0.080	0.085	0.090	0.095	0.100	0.105	0.110	0.115	0.120	0.125
Kit part number	W07 (LARGE)										W11 (SMALL)					
Washer (K180)	yes	yes	yes	yes	yes	no	no	no	no	yes	yes	yes	yes	yes	no	no

2. HEX NUT FINISH: NICKEL
3. TO BE USED WITH 250S15-S28 PLUGS.
4. IP RATING: IP66
5. RECOMMENDED HOLE DIAMETER: Ø0.375" [9.5MM]
6. RECOMMENDED WORKING TEMPERATURE: -20TO 50 °C.
7. RoHS COMPLIANT.



CUSTOMER DRAWING

REV	ECO NUMBER	DATE	BY	APVD
0A	PRELIMINARY	2/17/20	NS	SRC
REVISIONS				

UNLESS OTHERWISE SPECIFIED

1. ALL DIMENSIONS IN INCHES [mm]
 - TWO PLACE DECIMALS ±0.02 [0.5]
 - THREE PLACE DECIMALS ±0.005 [0.13]

DO NOT SCALE DRAWING

THIS DRAWING DESCRIBES A DESIGN CONSIDERED PROPRIETARY IN NATURE, DEVELOPED AND MANUFACTURED BY SWITCHCRAFT INC. AND IS RELEASED ON A CONFIDENTIAL BASIS FOR IDENTIFICATION PURPOSES ONLY.									
SIZE *	WIDTH *	MULT *	LBS/M *	TEMPER *					
FINISH *					MATERIAL *				
SPEC No. *					SPEC No. *				
FIRST USED ON *			SCALE 1:1						
DATE DRAWN	BY	CHKD	APVD						
2/17/20	NS	NS	SRC						
			2/17/20	2/17/20					
NAME					PART No.		REV		
SEALED 1/4" JACK					12AW07-W11		0A		

X-ON Electronics

Largest Supplier of Electrical and Electronic Components

Click to view similar products for [Phone Connectors](#) category:

Click to view products by [SWITCHCRAFT](#) manufacturer:

Other Similar products are found below :

[M444B](#) [6J1041A](#) [R4F](#) [E12BPKG](#) [ECP4PKG](#) [161-3502L-E](#) [MT333X](#) [171-0350-EX](#) [171-101A-EX](#) [171-3325-EX](#) [176S](#) [NC3MG-V](#)
[NS112BX](#) [NYS228G](#) [P10834](#) [P2380](#) [P2381X](#) [P2411X](#) [P2412](#) [P2724](#) [JM2PB-AU BULK](#) [9144](#) [S2674](#) [280L](#) [163-158N-2-E](#) [171-3308-EX](#)
[171-3500-E](#) [2501FT](#) [CMT335](#) [M10662](#) [330Q](#) [RJ5VI-S](#) [40116](#) [TM1R-AU](#) [TM2PBMJ-AU](#) [TM2PJ-AU](#) [TM2PJ-AU BULK](#) [4803.1351](#)
[49201](#) [49205](#) [TS3PBJ-AU](#) [TS3PBMJ-AU](#) [TT32BX](#) [54B](#) [40112](#) [40205](#) [415](#) [XMT332B](#) [52170017-331](#) [570](#)