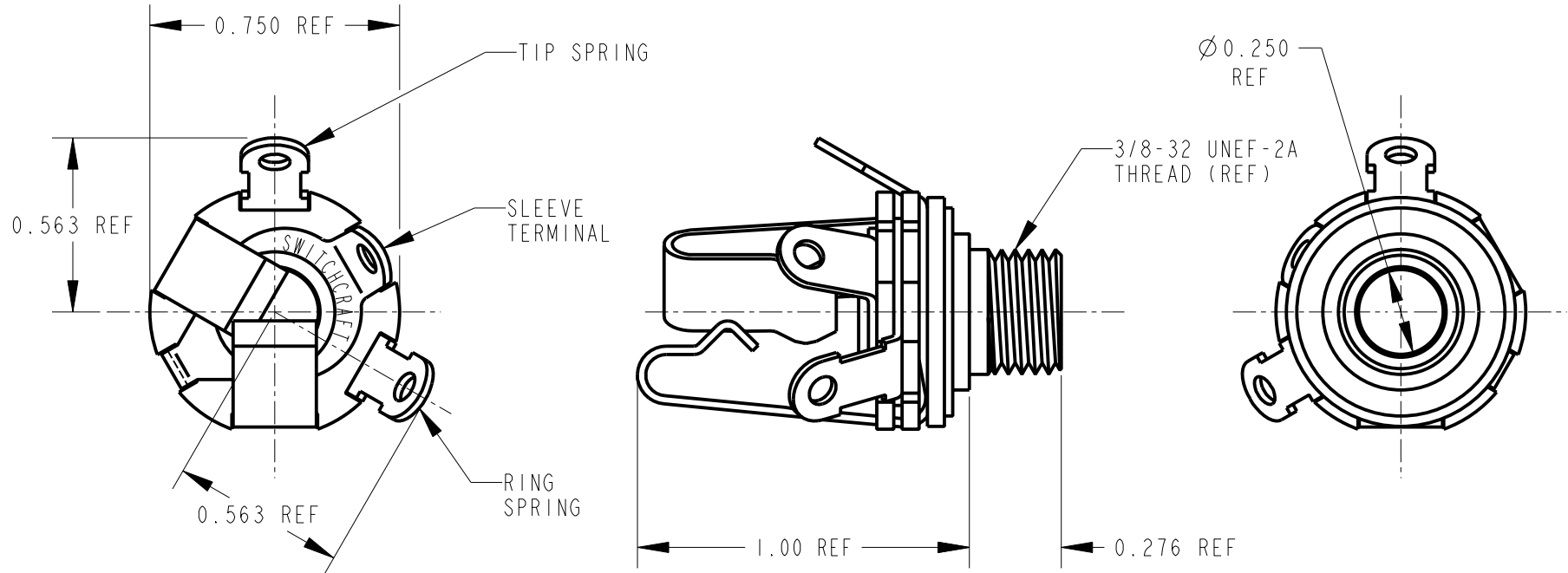


NOTES:

1. HARDWARE, NOT SHOWN, IS SHIPPED UNASSEMBLED.



CUSTOMER DRAWING

					★ STAR SYMBOL DENOTES CRITICAL DIMENSION	THIS DRAWING DESCRIBES A DESIGN CONSIDERED PROPRIETARY IN NATURE, DEVELOPED AND MANUFACTURED BY SWITCHCRAFT INC. AND IS RELEASED ON A CONFIDENTIAL BASIS FOR IDENTIFICATION PURPOSES ONLY.				
					UNLESS OTHERWISE SPECIFIED	SIZE	WIDTH	MULT	LBS/M	TEMPER
					1. ALL DIMENSIONS IN INCHES - TWO PLACE DECIMALS ±0.01 - THREE PLACE DECIMALS ±0.005 - ANGLES ±1° - ALL DIA. CONCENTRIC WITHIN 0.005 T.I.R.	FINISH			MATERIAL	
					2. FEATURES ON THE SAME CENTERLINE MUST BE ALIGNED WITHIN ±0.002	SPEC No.			SPEC No.	
					3. REMOVE ALL BURRS	FIRST USED ON			SCALE 1=0.5	
E	23572	6-27-01	JL	RB	DO NOT SCALE DRAWING	DATE DRAWN	BY	CHKD	APVD	<b>Switchcraft®</b>
D	22842	5-19-99	DA	RB		8-20-97	DA	JJ 8-21-97	JJ 8-21-97	
REV	ECO NUMBER	DATE	BY	APVD		NAME	3 CONDUCTOR JAX OPEN CIRCUIT			PART No.
REVISIONS									12B	E

## X-ON Electronics

Largest Supplier of Electrical and Electronic Components

*Click to view similar products for [Circular DIN Connectors](#) category:*

*Click to view products by [Switchcraft](#) manufacturer:*

Other Similar products are found below :

[60KD4M](#) [M83723/76W22326](#) [M83723/78R22327](#) [D38999/26FE99SN L/C](#) [75-190224-28S](#) [7547401103P](#) [75-474014-07L](#) [88-559975-75P](#)  
[8R3006A18M0033](#) [PT02E1283P](#) [GTC00G-24-7S](#) [PT05SE1832SWLC](#) [PT05SE1832SYLC](#) [GTC030-20-27PW-LC](#) [GTC030A-20-33S](#)  
[PT06SE1811SXLC](#) [1211290078](#) [1211810025](#) [1210120122](#) [1210503216](#) [1211290084](#) [1211500027](#) [ACS06AF-16-10P\(003\)](#)  
[D38999/40FB35AN](#) [D38999/40FB35BB](#) [D38999/40WB35BN](#) [D38999/40WD35PN](#) [D38999/40WJ29SN-L/C](#) [D38999/42FB35BN](#)  
[D38999/42WB35AB](#) [D38999/42WB35PB-L/C](#) [D38999/42WJ19AN](#) [D38999/44WB35AN](#) [D38999/44WD35BN](#) [D38999/44WH35AN](#)  
[D38999/44WJ29BA](#) [D38999/44WJ35PN](#) [D38999/44WJ61BA](#) [D38999/46FJ19SA-L/C](#) [D38999/46FJ29AA](#) [D38999/46FJ29AN](#)  
[D38999/46FJ29PN-L/C](#) [D38999/46FJ61BA](#) [D38999/46FJ61SA](#) [D38999/46WF32PN-L/C](#) [D38999/46WF32PN\(LESS CONT](#)  
[D38999/46WJ19AA](#) [D38999/46WJ19SA-L/C](#) [D38999/46WJ35BA](#) [D38999/46WJ61AN](#)