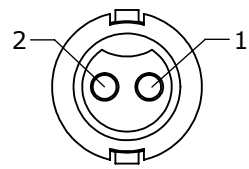


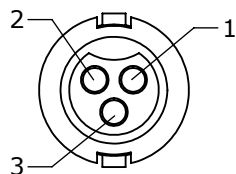
KIT P/N	NO. OF CONTACTS
16280-2PG-3XX	2 #20
16280-3PG-3XX	3 #20
16280-XPG-3XX	

- NOTES:
 1. ALL PARTS TO BE BULK PACKED.
 2. ALL DIMENSIONS ARE REFERENCE ONLY.

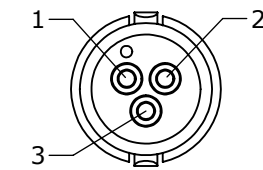
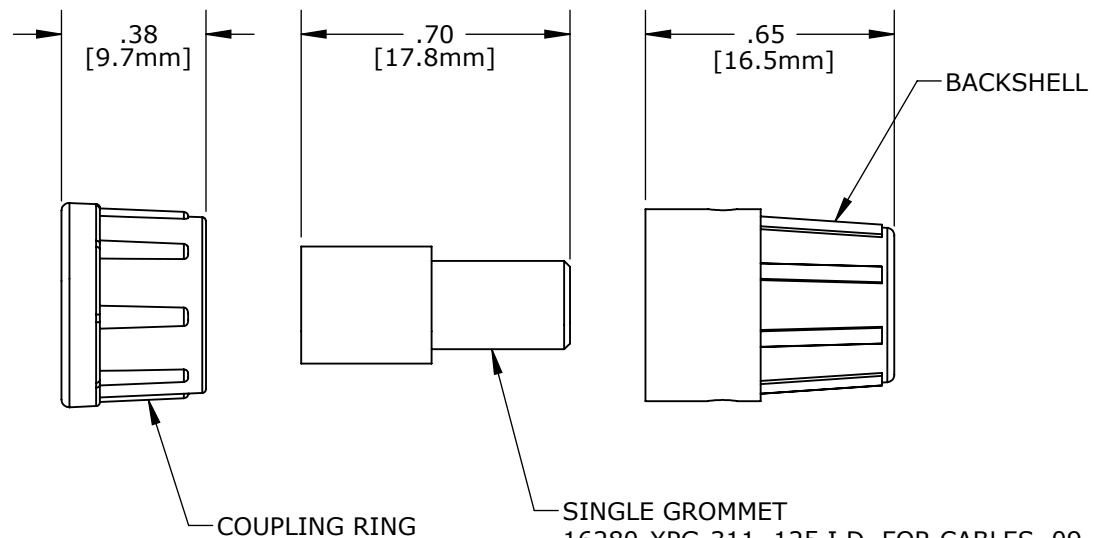
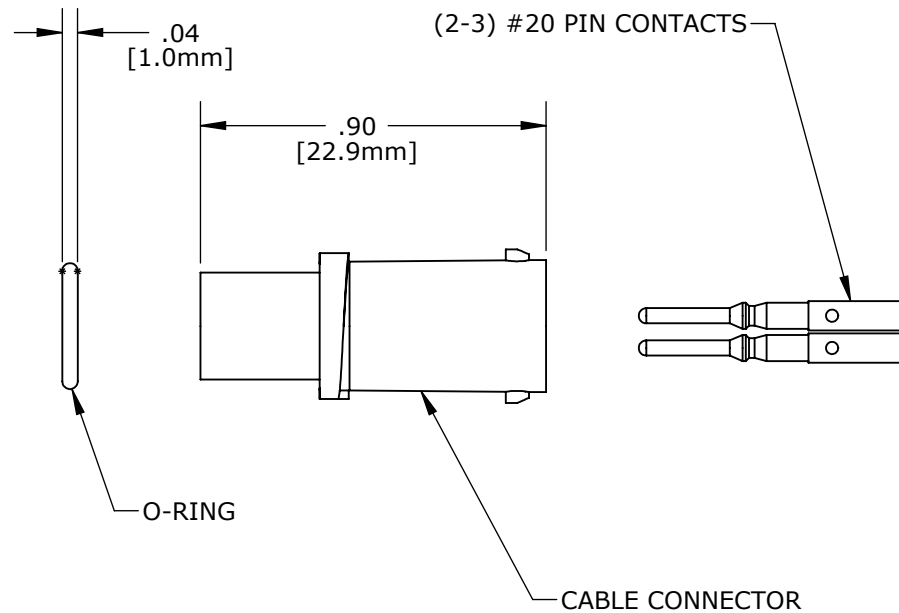
GROMMET SIZE
 NO. OF CONTACTS



FACE VIEW
16280-2PG-3XX



FACE VIEW
16280-3PG-3XX



WIRE VIEW
16280-3PG-3XX SHOWN

SINGLE GROMMET
 16280-XPG-311 .125 I.D. FOR CABLES .09-.14 [2.3-3.5mm] O.D.
 16280-XPG-315 .160 I.D. FOR CABLES .15-.17 [3.8-4.3mm] O.D.
 16280-XPG-318 .190 I.D. FOR CABLES .18-.20 [4.6-5.1mm] O.D.

KIT P/N	GROMMET SIZE
16280-XPG-311	CABLE O.D. .09-.14 [2.3-3.5mm]
16280-XPG-315	CABLE O.D. .15-.17 [3.8-4.3mm]
16280-XPG-318	CABLE O.D. .18-.20 [4.6-5.1mm]

CUSTOMER APPROVAL

THIS DOCUMENT CONTAINS CONFIDENTIAL INFORMATION PROPRIETARY TO CONXALL CORPORATION. ANY REPRODUCTION, DISCLOSURE, OR USE OF THIS DOCUMENT / INFORMATION IS EXPRESSLY PROHIBITED UNLESS AUTHORIZED IN WRITING BY CONXALL CORPORATION.

APPROVED BY: _____
 DATE: _____

REV.	INIT.	DATE	DESCRIPTION
A	BZ	09-29-09	DRAWING CREATED PER DOR 09-E149SL
<small>ALL INFORMATION ILLUSTRATED IS THE PROPERTY OF "CONXALL CORPORATION". UNAUTHORIZED DUPLICATION OR DISTRIBUTION OF THIS DOCUMENT IS PROHIBITED.</small>			ORIG. DRAWN BY: BZ DATE: 09-29-09 CHECKED BY:
<small>ALL UNITS ARE IN FEET, INCHES, FRACTION OF INCHES AND DECIMALS.</small>			APPROVED BY: TITLE: CABLE CONNECTOR KIT 2-3 #20 PIN CONTACTS MICRO-CON-X STANDARD PRODUCT
SCALE	SIZE	SHEET	CUSTOMER:
NTS	B	1 OF 1	STANDARD PRODUCT
FILE:	DIRECTORY:	PART NUMBER:	REV
16280-XPG-3XX	SLW	16280-XPG-3XX	A

DIMENSIONS IS BRACKETS [] ARE METRIC

X-ON Electronics

Largest Supplier of Electrical and Electronic Components

Click to view similar products for [Standard Circular Connector](#) category:

Click to view products by [Switchcraft](#) manufacturer:

Other Similar products are found below :

[600273N007](#) [6134-336-13149](#) [6134-337-11149](#) [6134-337-2390](#) [6134-341-17149](#) [6280-4SG-516](#) [6280-7SG-3DC](#) [6282-2SG-315](#) [66200A-10](#)
[67-02E12-60PX](#) [680-SMG](#) [CXS3102A181S](#) [7251-5SG-300](#) [7282-3PG-300-CH3](#) [75-190218-10P](#) [75-190611-03S](#) [75-474014-05S](#) [75-474118-](#)
[10P](#) [75-474211-03P](#) [75-474218-19S](#) [75-474618-01S](#) [75-474618-04P](#) [75-474618-04S](#) [75-474620-07P](#) [799539-000](#) [MI8-SE](#) [80-190222-18P](#)
[805-005-07NF11-19PC](#) [805-005-07NF15-7PA](#) [8280-7PG-519](#) [8282-5PG-519](#) [862256-1](#) [866857-1](#) [867865-1](#) [PT08P-14-19S](#) [PT08P-14-5S](#)
[PT08P-8-3S](#) [120-1833-000](#) [QCM019PC2DC012B](#) [121583-0217](#) [HEX40-AB-00-21-A9-1](#) [121667-0020](#) [RD10A16-19-P6CS051/1](#) [RD16A14-](#)
[12-S6CS051/2](#) [1301240347](#) [1301790476](#) [1301240268](#) [1301240275](#) [1301860183](#) [1301860906](#)