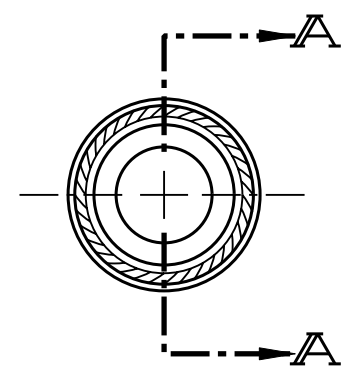
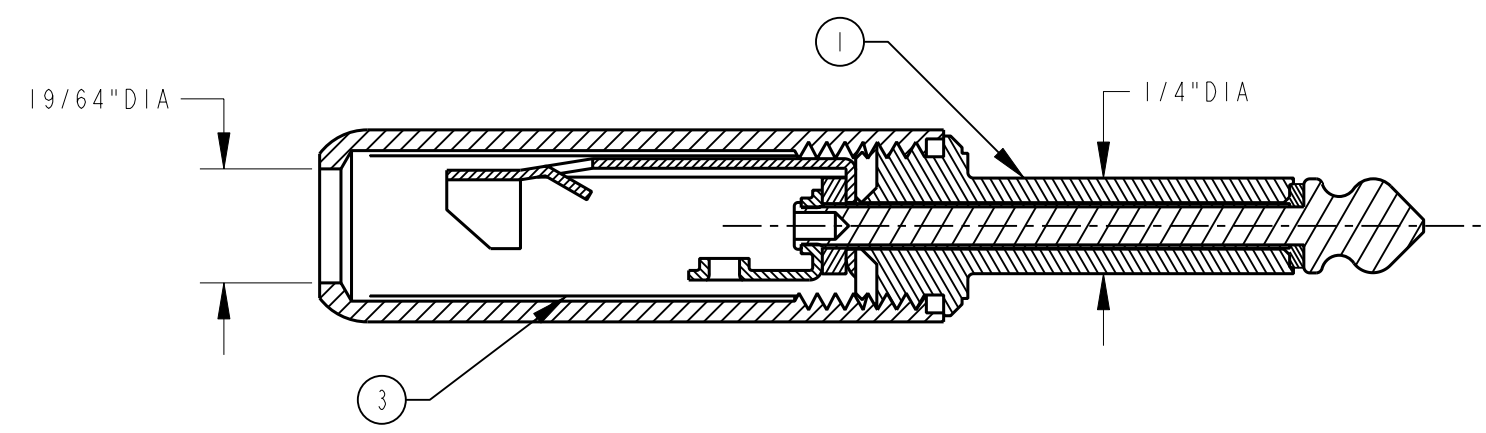
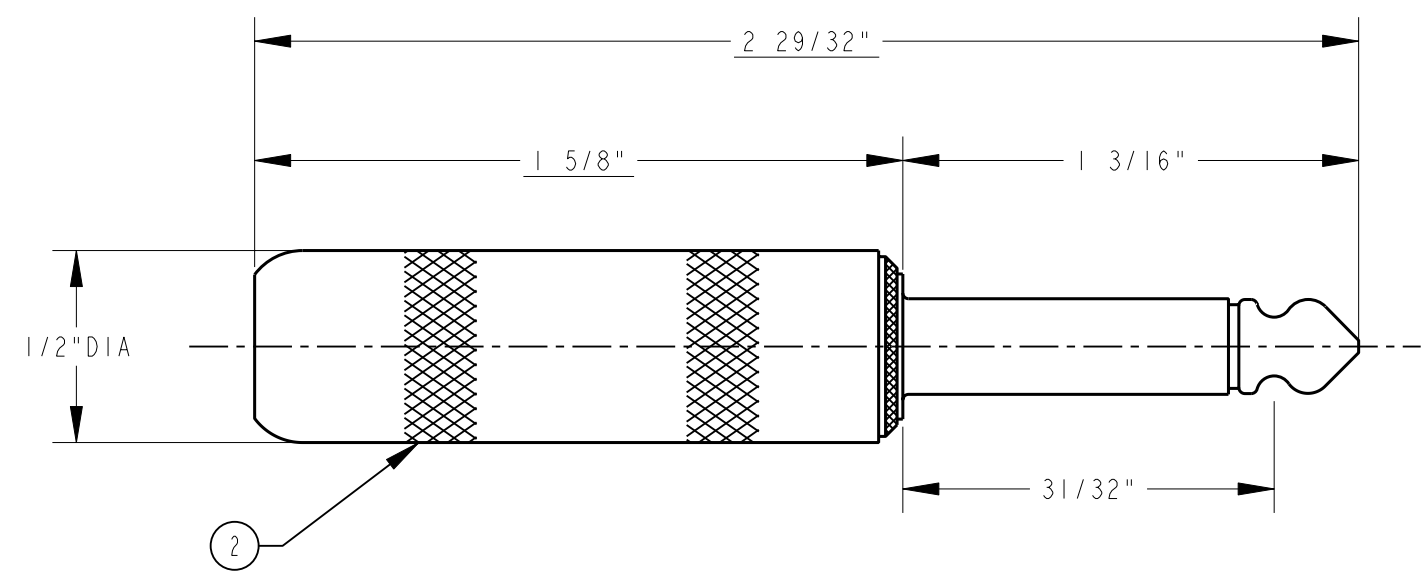


3	TUBING	1
2	HANDLE	1
1	PLUG ASSEMBLY	1
ITEM	DESCRIPTION	REQ'D
STOCK LIST		



SECTION A-A

CUSTOMER DRAWING
 CAD/CAM DWG. NO.
 280_CD
 SHEET 1 OF 1

MATERIALS:

1. TIP AND BODY-BRASS-NICKEL PLATE.
2. TERMINALS-BRASS-ELECTRO TIN PLATED
3. INSULATORS-PHENOLIC
4. HANDLE-BRASS-NICKEL PLATE
5. TORQUE = HOLDING THE PLUG SLEEVE RIGID, A TWISTING FORCE OF 1 POUND-INCH SHALL BE APPLIED TO THE TIP, IT SHOULD NOT ROTATE OR BECOME LOOSE.

ISSUE	CHANGE NO.	DATE	BY	APP'D
D	ECO #19700	3-28-95	RC	GHJ
B	CAD REDRAW WAS REV. A ECO #16155	3-20-92	ES	GHJ
REVISIONS				

★ STAR SYMBOL DENOTES CRITICAL DIMENSION, SEE S/C ENGINEERING STANDARD ES-0001

UNLESS OTHERWISE SPECIFIED

THIS DRAWING DESCRIBES A DESIGN CONSIDERED PROPRIETARY IN NATURE, DEVELOPED AND MANUFACTURED BY SWITCHCRAFT INC. AND IS RELEASED ON A CONFIDENTIAL BASIS FOR IDENTIFICATION PURPOSE ONLY.

SIZE	WIDTH	MULT	LBS./M	TEMPER
FINISH		MATERIAL		
SPEC. NO.		SPEC. NO.		
FIRST USED ON		SCALE 1 = 0.5		
DATE DRAWN	BY	CHK'D	APP'D	
6-17-64	JRT	RB 7-15-64	EB 1-28-88	
NAME		PART NO.		ISSUE
2 CONDUCTOR PHONE PLUG		280		D

Switchcraft®

DO NOT SCALE DRAWING

X-ON Electronics

Largest Supplier of Electrical and Electronic Components

Click to view similar products for [Phone Connectors](#) category:

Click to view products by [Switchcraft](#) manufacturer:

Other Similar products are found below :

[M444B](#) [6J1041A](#) [R4F](#) [E12BPKG](#) [ECP4PKG](#) [163-157J-E](#) [MT333X](#) [171-0350-EX](#) [171-101A-EX](#) [171-3325-EX](#) [176S](#) [NC3MG-V](#)
[NYS228G](#) [P10834](#) [P2380](#) [P2381X](#) [P2411X](#) [P2412](#) [P2724](#) [JM2PB-AU BULK](#) [9144](#) [S2674](#) [280L](#) [163-158N-2-E](#) [171-3308-EX](#) [171-3500-E](#)
[2501FT](#) [CMT335](#) [M10662](#) [330Q](#) [RJ5VI-S](#) [40116](#) [TM1R-AU](#) [TM2PBMJ-AU](#) [TM2PJ-AU](#) [TM2PJ-AU BULK](#) [4803.1351](#) [49201](#) [49205](#)
[TS3PBJ-AU](#) [TS3PBMJ-AU](#) [TT32BX](#) [54B](#) [C55BX](#) [40112](#) [40205](#) [415](#) [XMT332B](#) [52170017-331](#) [570](#)