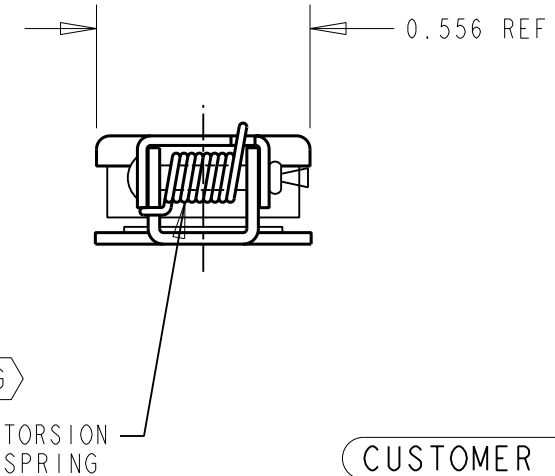
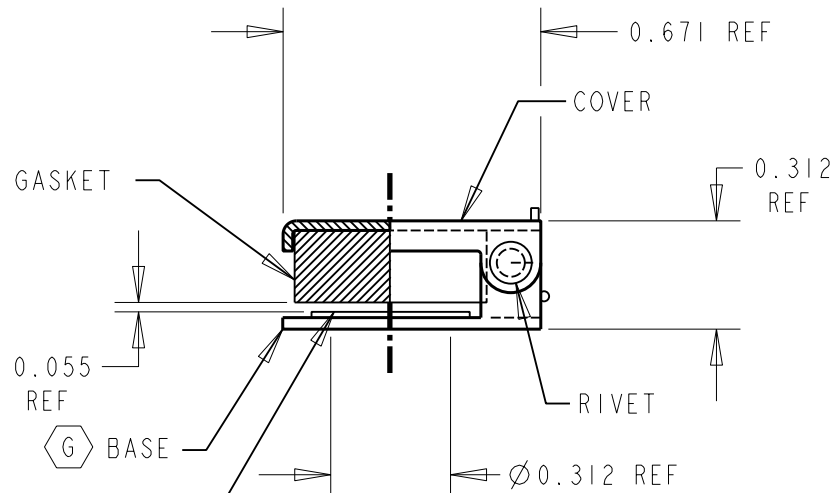


NOTES:

1. COVER & BASE - STEEL  
 -FINISH - MIL-F-14072 (SIG.-C)  
 -BASIC FINISH#P-211 TYPE EXPOSURE 1  
 -FINAL FINISH PER TT-E-529 ENAMEL  
 SYNTHETIC SEMI-GLOSS BLACK PER -A1
2. GASKET - SYNTHETIC RUBBER
3. TORSION SPRING - STAINLESS STEEL
4. RIVET - STAINLESS STEEL
5. RIVET WASHER - BRASS.
6. ACCESSORY WASHER - STEEL, NICKEL PLATE

G



CUSTOMER DRAWING

					★ STAR SYMBOL DENOTES CRITICAL DIMENSION	THIS DRAWING DESCRIBES A DESIGN CONSIDERED PROPRIETARY IN NATURE, DEVELOPED AND MANUFACTURED BY SWITCHCRAFT INC. AND IS RELEASED ON A CONFIDENTIAL BASIS FOR IDENTIFICATION PURPOSES ONLY.				
					UNLESS OTHERWISE SPECIFIED	SIZE	WIDTH	MULT	LBS/M	TEMPER
					1. ALL DIMENSIONS IN INCHES - TWO PLACE DECIMALS ±0.01 - THREE PLACE DECIMALS ±0.005 - ANGLES ±1° - ALL DIA. CONCENTRIC WITHIN 0.005 T.I.R.	FINISH			MATERIAL	
					2. FEATURES ON THE SAME CENTERLINE MUST BE ALIGNED WITHIN ±0.002	SPEC No.			SPEC No.	
					3. REMOVE ALL BURRS	FIRST USED ON		SCALE		
						2 : 1			<b>Switchcraft®</b>	
G	23140	4-20-00	DA	DK	DATE DRAWN	BY	CHKD	APVD		
F	ECO #22434	10-29-98	RC	JF	3-21-88	EB	JF 8-3-90	DLV 8-3-90		
REV	ECO NUMBER	DATE	BY	APVD	NAME			PART No.		
REVISIONS					DO NOT SCALE DRAWING			TIP JAX COVER ASS'Y BLACK		SHEET   OF
								201072		REV G

## X-ON Electronics

Largest Supplier of Electrical and Electronic Components

*Click to view similar products for [DC Power Connectors](#) category:*

*Click to view products by [Switchcraft](#) manufacturer:*

Other Similar products are found below :

[RAPC3FG](#) [B04P-VL-VN-1.8](#) [1600206-1](#) [163-0302](#) [163-0310-EX](#) [163-4024](#) [163-4117-EX](#) [163-5005-E](#) [163-7421](#) [171-0721-EX](#) [171-3118-EX](#) [173-23507-ST-EX](#) [KLDVX-SMT-02-ATR](#) [KLDX-SMT-0202-BP](#) [KLDX-SMT-0202-BPTR](#) [163-0179-EX](#) [163-0307-E](#) [163-4119-E](#) [171-0722-E](#) [171-3218-EX](#) [171-7391](#) [173-3413-ST-EX](#) [RAPCBRK](#) [K596](#) [KLD-0201-BC](#) [KLDVX-SMT-02-BTR](#) [KPPX-D](#) [TPCF-140-01-L-Q-4-RA](#) [RAPC3MHG](#) [RASM752TRX](#) [163-4800-E](#) [4C6831AX](#) [TS3PNJ](#) [DC-025LM-5A-2.5](#) [CL14218R](#) [AS250F RED](#) [DC-105-4A-1.6](#) [09441 AS120-F](#) [09442 AS120-M](#) [CP30240](#) [TAMIYA-M](#) [TAMIYA-MT1](#) [TAMIYA-MT2](#) [4840.1200](#) [4840.2202](#) [C5080HI-04P-18 + C5080HI-C](#) [JC-138](#) [JPO-25 \(FC6814\)](#) [JYO-26 \(FC6811\)](#) [JYO-29 \(FC68102\)](#)