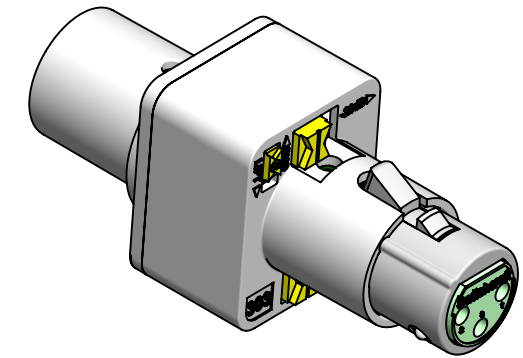
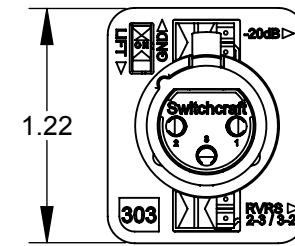
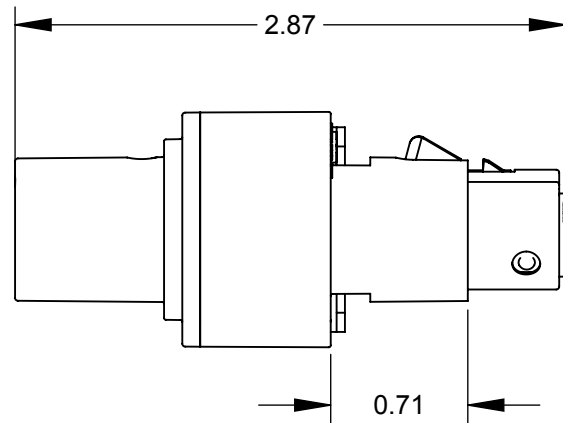
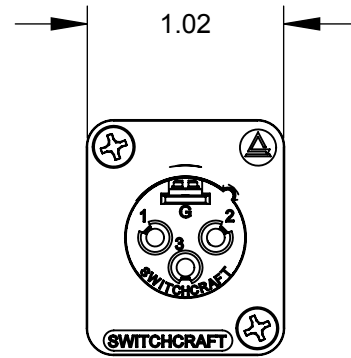




PACKAGED UNIT



SPECIFICATIONS:

HOUSING

- DIECAST ZINC ALLOY, NICKEL PLATED.

CONNECTORS

- INPUT: SWITCHCRAFT 3-PIN FEMALE CONNECTOR WITH LATCHING MECHANISM.
- OUTPUT: SWITCHCRAFT 3-PIN MALE CONNECTOR WITH LATCHING UNDERCUT.

FUNCTIONS

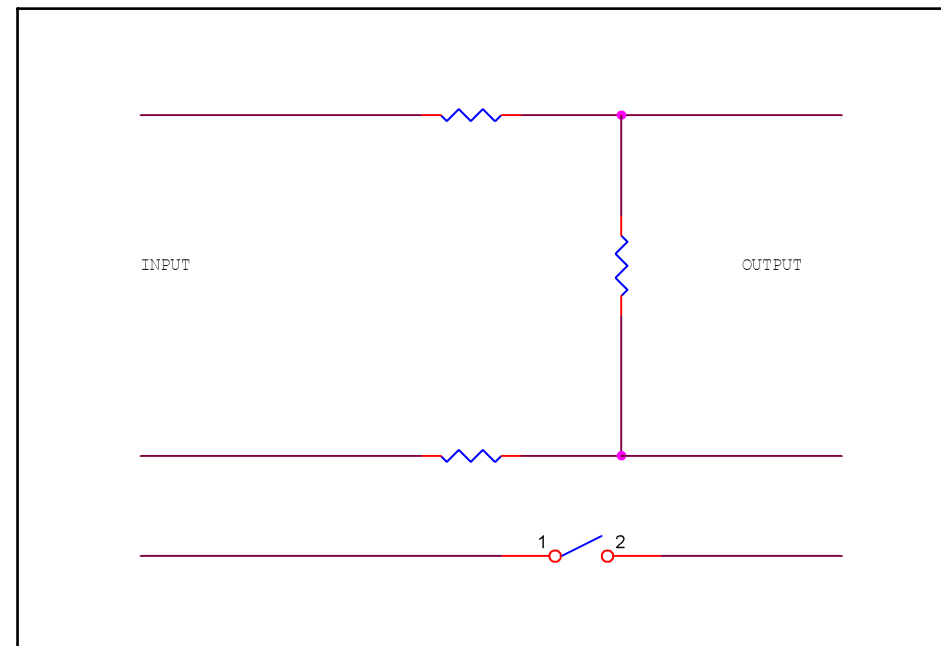
- -20dB PAD.
- POLARITY INVERSE.
- GROUND LIFT.

SWITCHES SPECIFICATIONS

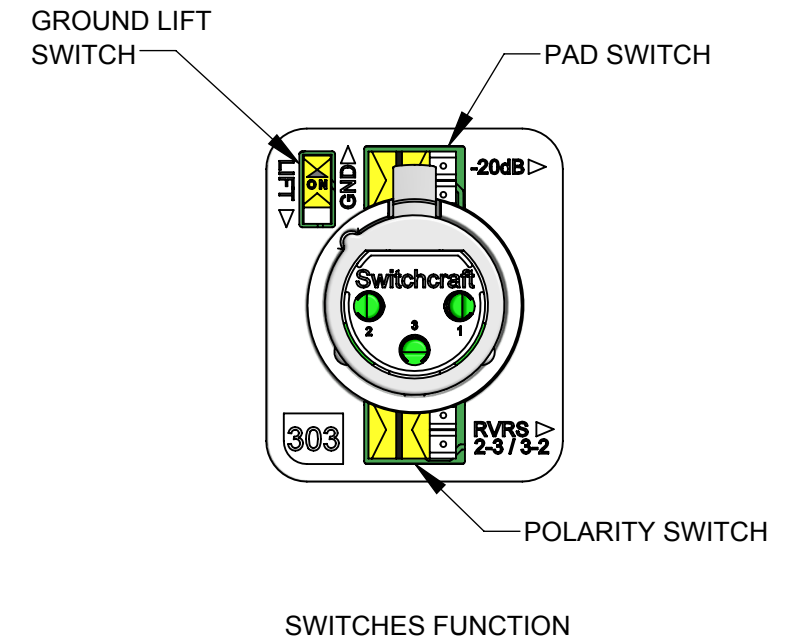
- SWITCHING RATING: 1A, 100V.
- PLATING: GOLD.
- NON-SHORTING BBM.

GENERAL SPECIFICATIONS

- PAD INPUT IMPEDANCE: 1657 OHM WITH 1K OHM LOAD.
- PAD OUTPUT IMPEDANCE: 167 OHM WITH 150 OHM SOURCE.
- PAD CMRR GREATER THAN 90dB AT 10KHz.
- PAD BALANCED LINE MAXIMUM IMPEDANCE MISMATCH: 0.2%.
- RoHS COMPLIANT.



CIRCUIT DIAGRAM
PAD: ON, REVERSE: OFF, GROUND: LIFT



SWITCHES FUNCTION

CUSTOMER DRAWING

					THIS DRAWING DESCRIBES A DESIGN CONSIDERED PROPRIETARY IN NATURE, DEVELOPED AND MANUFACTURED BY SWITCHCRAFT INC. AND IS RELEASED ON A CONFIDENTIAL BASIS FOR IDENTIFICATION PURPOSES ONLY.				
					SIZE *	WIDTH *	MULT *	LBS/M *	TEMPER *
					FINISH *			MATERIAL *	
					SPEC No. *			SPEC No. *	
					FIRST USED ON *		SCALE		
0A	PRELIMINARY	6/20/17	NS	SRC	DATE DRAWN	BY	CHKD	APVD	
REV	ECO NUMBER	DATE	BY	APVD	6/20/17	NS	NS	SRC	
REVISIONS					DO NOT SCALE DRAWING				
					NAME			PART No.	
					303 AUDIOFIX			303	
					REV 0A				

X-ON Electronics

Largest Supplier of Electrical and Electronic Components

Click to view similar products for [XLR Connectors](#) category:

Click to view products by [Switchcraft](#) manufacturer:

Other Similar products are found below :

[707-0300](#) [A3F01](#) [A3M01](#) [QGP3F](#) [HA16PRM-3SG\(71\)](#) [AA3FL](#) [AAA4FWZ](#) [AAA4MWZ](#) [AC5FPZB](#) [AC6AFDZV](#) [D4FB](#) [DE4MW](#)
[E3MBAUSW](#) [99.265.0400.0](#) [A3F04](#) [AC3FG](#) [AC4-FCP](#) [AQG4F](#) [2504FP](#) [R6MZ](#) [3FD-V-I-B](#) [3MD-V-I-B](#) [TA01](#) [TA3MWX](#) [TA5MLWX](#)
[TRASM4M1X](#) [TRASM7M1X](#) [ML1](#) [TS05TS](#) [3FD-L-I-\(O\)](#) [D6FDB](#) [DB25FTRS](#) [DHNF-BAG-MAD](#) [DHNF-BAG-O](#) [DHNM-BAG](#)
[XLRF05TRS](#) [XLRM05XLRF](#) [XLRM05XLRFB](#) [XLRM10XLRF](#) [E3FBAUSW](#) [E3FSW](#) [E3MSW](#) [SR03](#) [TA4FLWX](#) [TA6FLWX](#)
[TRAPC8M1X](#) [TRASM6M1X](#) [TRS10TRS](#) [TRSF05XLRM](#) [TRSF10XLRM](#)