

NOTES:

1. MATERIALS:

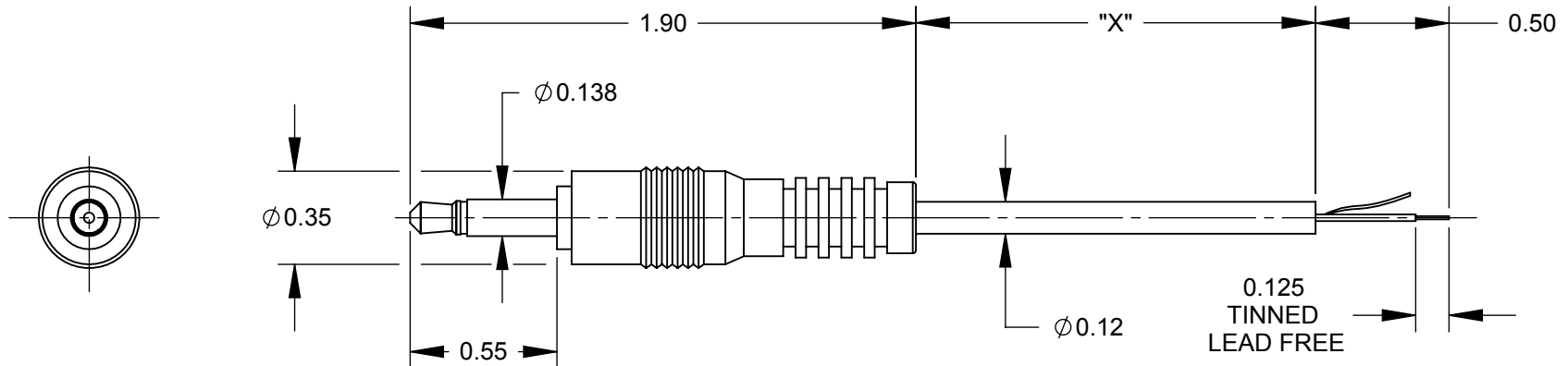
- B CABLE JACKET - PVC, BLACK
- CONDUCTORS - 26 AWG, CENTER COND. W/ COPPER SPIRAL SHIELD
- OVERMOLD - PVC, BLACK
- PLUG - BRASS, NICKEL PLATED WITH STEEL PIN, NICKEL PLATED

2. LEAD FREE SOLDER.

3. THIS PRODUCT IS RoHS COMPLIANT.

C

PART NUMBER	DIM "X"
32HR03684X	36.0" ±1.6"
32HR07284X	72.0" ±2.0"
32HR07884X	78.0" ±2.0"
32HR12084X	120.0" ±4.0"
32HR14484X	144.0" ±4.0"
32HR120084X	1200.0" ±9.0"



**3.5MM MONO PLUG**

**S & T**

B

WIRE CHART	
TIP	CENTER COND.
SLEEVE	SHIELD

**CUSTOMER DRAWING**

					THIS DRAWING DESCRIBES A DESIGN CONSIDERED PROPRIETARY IN NATURE, DEVELOPED AND MANUFACTURED BY SWITCHCRAFT INC. AND IS RELEASED ON A CONFIDENTIAL BASIS FOR IDENTIFICATION PURPOSES ONLY.					
					SIZE	WIDTH	MULT	LBS/M	TEMPER	
					FINISH			MATERIAL		
					SPEC No.			SPEC No.		
					FIRST USED ON		SCALE 1.5:1			
C	27142	5-7-13	TO	TJK	DATE DRAWN	BY	CHKD	APVD	<b>Switchcraft®</b>	
B	25790	01-07-08	AH	TJK	6/20/06	RF	RF	TJK		
A	26016	6/20/06	RF	TJK	6/20/06		6/26/06			
REV	ECO NUMBER	DATE	BY	APVD	NAME			PART No.		
REVISIONS					DO NOT SCALE DRAWING			ST 3.5MM MONO TO S & T, RoHS		SHEET 1 OF 1
								32HR__84X		REV C

SolidWorks CAD File



A

## X-ON Electronics

Largest Supplier of Electrical and Electronic Components

*Click to view similar products for [Audio Cables](#) / [Video Cables](#) / [RCA Cables](#) category:*

*Click to view products by [Switchcraft](#) manufacturer:*

Other Similar products are found below :

[59384500100E](#) [RCA10RCA](#) [DB25M05DB25MY](#) [DB25M10DB25MY](#) [DB25M10XLRMXLRFY](#) [1-3737-600-3216](#) [15AK25X](#) [CA19](#) [CA20](#)  
[CAG34](#) [25FK25](#) [LF3BLX](#) [30-513](#) [28-511-0](#) [30-419](#) [30AR30](#) [30AK30](#) [30AN30](#) [RCA05RCA](#) [RCA05RCAB](#) [RCA05TS](#) [RCA10RCAB](#)  
[420001400-3](#) [426058900-3](#) [427493000-3](#) [49152A-010-S2](#) [TT6RX](#) [TT7BKX](#) [TT93602](#) [32-3766](#) [32HR07284X](#) [CA25B](#) [CA39](#)  
[DB25M02XLRMXLRFY](#) [LF1BKX](#) [LF3RX](#) [49442 010S2](#) [DVI-I-VGA/DVI-D-CBL-MATRIX](#) [VMP3YX](#) [VMP2YX](#) [TT746](#) [TT744](#) [CN13B](#)  
[MDC4P13](#) [MDC8P53](#) [LF4GNX](#) [LF2GYX](#) [426494200-3](#) [49153A 010S2](#) [LF1RX](#)