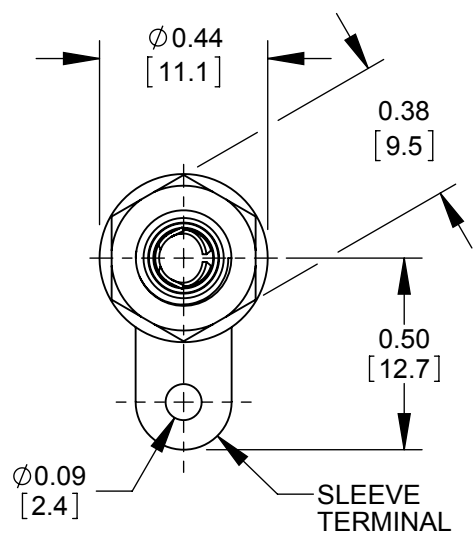
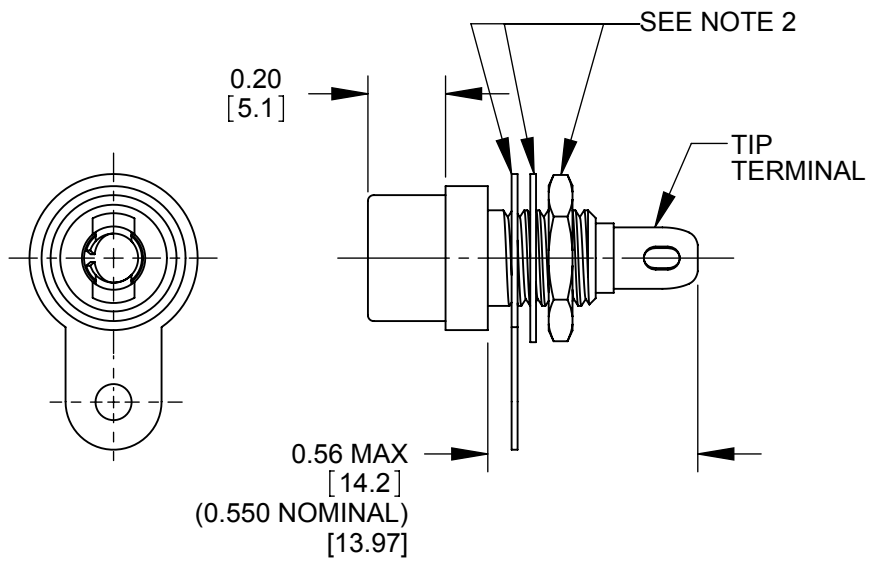


NOTES:

1. MATES WITH STANDARD \varnothing 1/8 PHONO PLUG.
2. SLEEVE TERMINAL, WASHER, AND HEX NUT PACKAGED UNASSEMBLED.
3. MATERIALS
 HOUSING - COPPER ALLOY, TIN PLATED
 INSULATORS - THERMOPLASTIC
 TIP TERMINAL - COPPER ALLOY, MATTE TIN PLATED
 SLEEVE TERMINAL - STEEL, TIN PLATED
 WASHER - STEEL, NICKEL PLATED
 HEX NUT - COPPER ALLOY, NICKEL PLATED
4. THIS PRODUCT IS RoHS COMPLIANT.



CUSTOMER DRAWING

					THIS DRAWING DESCRIBES A DESIGN CONSIDERED PROPRIETARY IN NATURE, DEVELOPED AND MANUFACTURED BY SWITCHCRAFT INC. AND IS RELEASED ON A CONFIDENTIAL BASIS FOR IDENTIFICATION PURPOSES ONLY.					
					SIZE	WIDTH	MULT	LBS/M	TEMPER	
					FINISH			MATERIAL		
					SPEC No.			SPEC No.		
					FIRST USED ON		SCALE 2:1			
C	27760	8-31-16	TO	TJK	DATE DRAWN	BY	CHKD	APVD	Switchcraft®	
B	25504	12/8/06	RS	TJK	12/16/08	RS	RS	TJK		
A	26172	10/20/06	RS	TJK	12/16/08			1/23/09		
REV	ECO NUMBER	DATE	BY	APVD	NAME				SHEET 1 OF 1	
REVISIONS					PHONO JAX FRONT PANEL MOUNT, RoHS				PART No.	REV
DO NOT SCALE DRAWING					3501FPX				C	

X-ON Electronics

Largest Supplier of Electrical and Electronic Components

Click to view similar products for [RCA Phono Connectors](#) category:

Click to view products by [Switchcraft](#) manufacturer:

Other Similar products are found below :

[17PP052](#) [NYS352AG](#) [333-0000](#) [330F3](#) [336AX](#) [342-0000](#) [AP-165](#) [598](#) [AX101880](#) [716SNS1P11PL-25](#) [585](#) [330-0000](#) [335-0000](#) [588](#)
[ACJD-BLK](#) [NF2D-2](#) [NF2D-9](#) [NF2D-B-0](#) [NF2D-B-4](#) [299](#) [ACJD-RED](#) [ACJD-WHT](#) [PJRAS3X1S01X](#) [RCJ-2244](#) [3507](#) [413-0100](#) [431-0500](#)
[331-0000](#) [561](#) [NF2D-B-2](#) [NF2D-B-6](#) [566](#) [571](#) [572](#) [574](#) [580](#) [581](#) [583](#) [586](#) [587](#) [589](#) [598](#) [NYS354](#) [NYS372P](#) [NYS373-2-U](#) [ACJD-GRN](#)
[936](#) [PJRN1X1U03AUX](#) [PJRAS1X3S02X](#) [937](#)