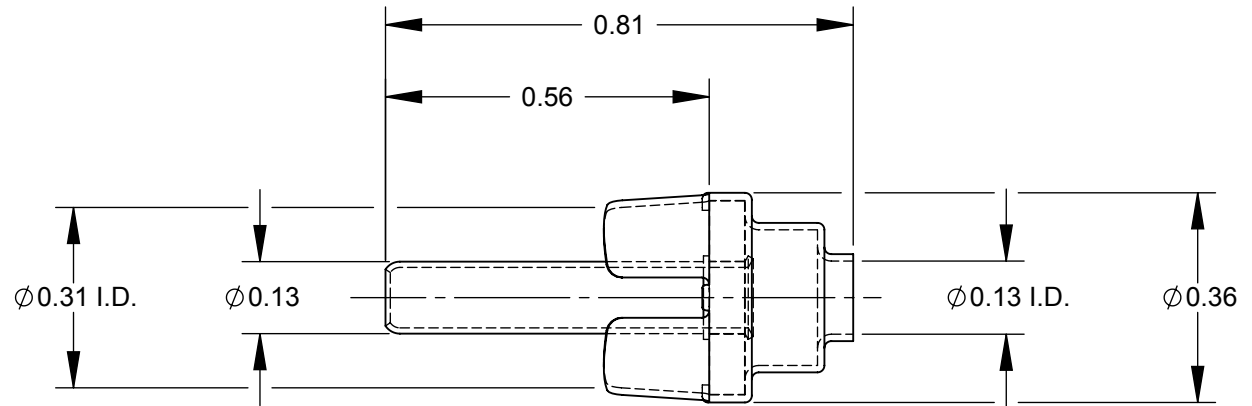
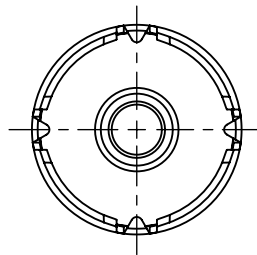
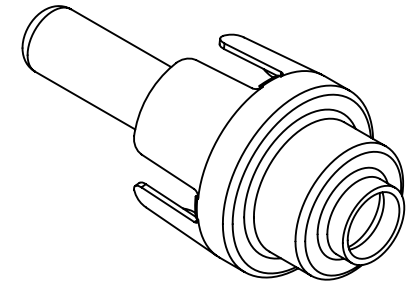


NOTES:

- MATERIALS:
 PIN - BRASS, NICKEL PLATED
 INSULATION WAFER, XXXP
 SLEEVE - BRASS, NICKEL PLATED
- THIS PRODUCT IS RoHS COMPLIANT.



CUSTOMER DRAWING

					THIS DRAWING DESCRIBES A DESIGN CONSIDERED PROPRIETARY IN NATURE, DEVELOPED AND MANUFACTURED BY SWITCHCRAFT INC. AND IS RELEASED ON A CONFIDENTIAL BASIS FOR IDENTIFICATION PURPOSES ONLY.				
					SIZE	WIDTH	MULT	LBS/M	TEMPER
UNLESS OTHERWISE SPECIFIED					FINISH SEE NOTES			MATERIAL SEE NOTES	
1. ALL DIMENSIONS IN INCHES					SPEC No.			SPEC No.	
- TWO PLACE DECIMALS ±0.02					FIRST USED ON			SCALE 3:1	
- THREE PLACE DECIMALS ±0.005					DATE DRAWN	BY	CHKD	APVD	Switchcraft®
A	25259	8-17-06	RF	TJK	8-17-06	RF	8-17-06	4-22-10	
REV	ECO NUMBER	DATE	BY	APVD	NAME PHONO PLUG			PART No.	REV
REVISIONS					DO NOT SCALE DRAWING			3501MX	A
					TWO CONDUCTOR, RoHS				



X-ON Electronics

Largest Supplier of Electrical and Electronic Components

Click to view similar products for [RCA Phono Connectors](#) category:

Click to view products by [Switchcraft](#) manufacturer:

Other Similar products are found below :

[17PP052](#) [NYS352AG](#) [333-0000](#) [330F3](#) [336AX](#) [342-0000](#) [AP-165](#) [598](#) [AX101880](#) [716SNS1P11PL-25](#) [585](#) [330-0000](#) [335-0000](#) [588](#)
[ACJD-BLK](#) [NF2D-2](#) [NF2D-9](#) [NF2D-B-0](#) [NF2D-B-4](#) [299](#) [ACJD-RED](#) [ACJD-WHT](#) [PJRAS3X1S01X](#) [RCJ-2244](#) [3507](#) [413-0100](#) [431-0500](#)
[331-0000](#) [561](#) [NF2D-B-2](#) [NF2D-B-6](#) [566](#) [571](#) [572](#) [574](#) [580](#) [581](#) [583](#) [586](#) [587](#) [589](#) [598](#) [NYS354](#) [NYS372P](#) [NYS373-2-U](#) [ACJD-GRN](#)
[936](#) [PJRN1X1U03AUX](#) [PJRAS1X3S02X](#) [937](#)