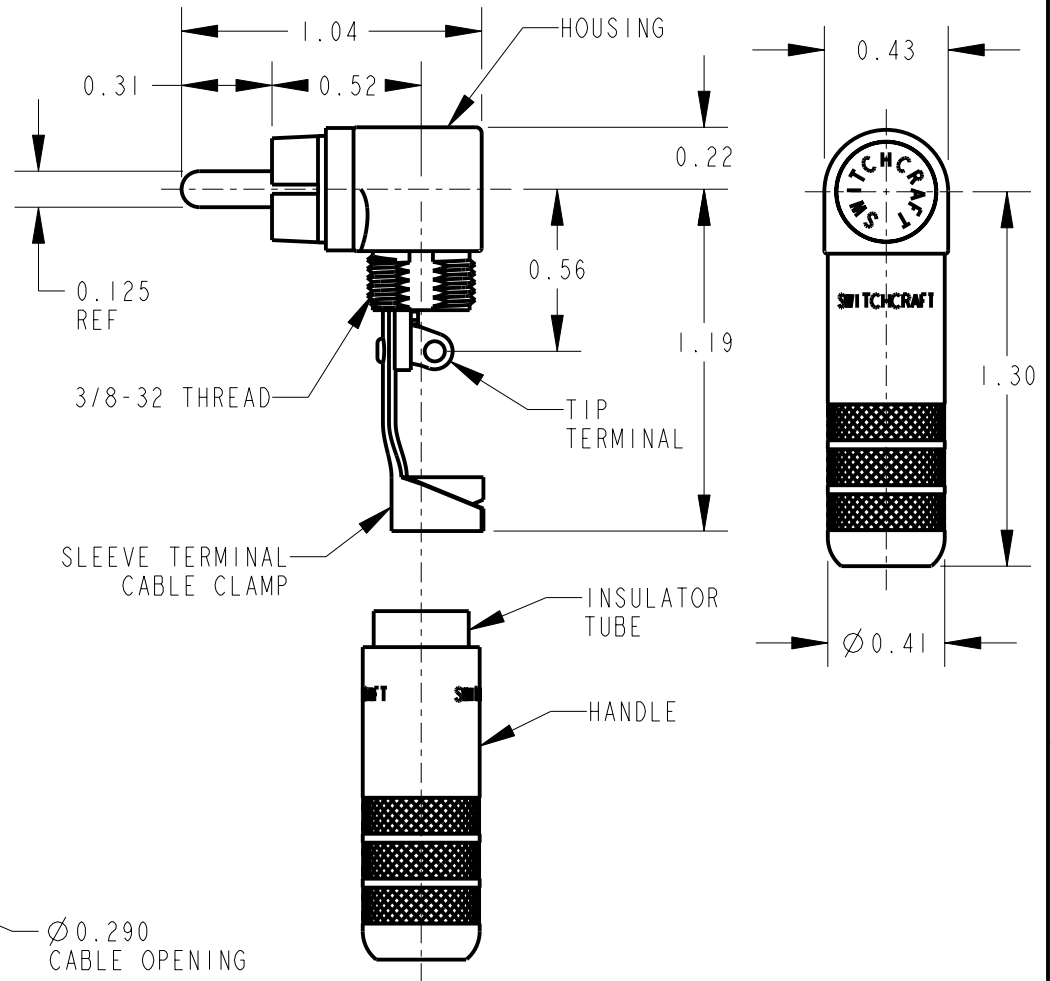
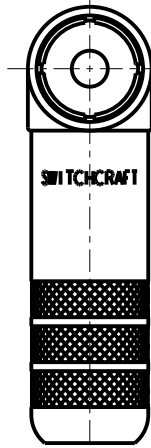
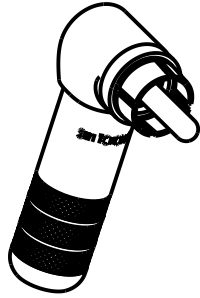


PART NUMBER	PHONO PLUG FINISH	HANDLE & HOUSING FINISH
3502RA	NICKEL PLATED	NICKEL PLATED
3502RAAU	GOLD PLATED	NICKEL PLATED
3502RABAU	GOLD PLATED	BLACK CHROME



NOTES:
1. HANDLE AND INSULATOR SHIPPED UNASSEMBLED.

2. MATERIALS:
HOUSING - ZINC ALLOY, SEE TABLE FOR FINISH
PHONO PLUG - BRASS, SEE TABLE FOR FINISH
PHONO PLUG INSULATOR - PHENOLIC
SLEEVE TERMINAL - CRS, TIN PLATED
TIP TERMINAL - BRASS, TIN PLATED
TERMINAL INSULATOR - THERMOPLASTIC, BLACK
HOUSING END CAP - BRASS, NICKEL PLATED
GOLD PLATED ON P/N 3502RABAU
INSULATOR TUBE - MYLAR
HANDLE - BRASS, SEE TABLE FOR FINISH

3. THIS PRODUCT IS RoHS COMPLIANT.

CUSTOMER DRAWING

					★ STAR SYMBOL DENOTES CRITICAL DIMENSION	THIS DRAWING DESCRIBES A DESIGN CONSIDERED PROPRIETARY IN NATURE, DEVELOPED AND MANUFACTURED BY SWITCHCRAFT INC. AND IS RELEASED ON A CONFIDENTIAL BASIS FOR IDENTIFICATION PURPOSES ONLY.					
					UNLESS OTHERWISE SPECIFIED	SIZE	WIDTH	MULT	LBS/M	TEMPER	
					1. ALL DIMENSIONS IN INCHES - TWO PLACE DECIMALS ±0.01 - THREE PLACE DECIMALS ±0.005 - ANGLES ±1° - ALL DIA. CONCENTRIC WITHIN 0.005 T.I.R.	FINISH		MATERIAL			
					2. FEATURES ON THE SAME CENTERLINE MUST BE ALIGNED WITHIN ±0.002	SPEC No.		SPEC No.			
					3. REMOVE ALL BURRS	FIRST USED ON		SCALE		Switchcraft®	
								3:2			
B	24344	11-24-09	TJK	TJK		DATE DRAWN	BY	CHKD	APVD	SHEET OF	
						24-Nov-09	TJK	TJK	TJK		
REV	ECO NUMBER	DATE	BY	APVD		NAME		PART No.		REV	
					DO NOT SCALE DRAWING	RIGHT ANGLE PHONO PLUG, RoHS		3502RA SERIES		B	

X-ON Electronics

Largest Supplier of Electrical and Electronic Components

Click to view similar products for [RCA Phono Connectors](#) category:

Click to view products by [Switchcraft](#) manufacturer:

Other Similar products are found below :

[17PP052](#) [NYS352AG](#) [333-0000](#) [330F3](#) [336AX](#) [342-0000](#) [AP-165](#) [598](#) [AX101880](#) [716SNS1P11PL-25](#) [585](#) [330-0000](#) [335-0000](#) [588](#)
[ACJD-BLK](#) [NF2D-2](#) [NF2D-9](#) [NF2D-B-0](#) [NF2D-B-4](#) [299](#) [ACJD-RED](#) [ACJD-WHT](#) [PJRAS3X1S01X](#) [RCJ-2244](#) [3507](#) [413-0100](#) [431-0500](#)
[331-0000](#) [561](#) [NF2D-B-2](#) [NF2D-B-6](#) [566](#) [571](#) [572](#) [574](#) [580](#) [581](#) [583](#) [586](#) [587](#) [589](#) [598](#) [NYS354](#) [NYS372P](#) [NYS373-2-U](#) [ACJD-GRN](#)
[936](#) [PJRAN1X1U03AUX](#) [PJRAS1X3S02X](#) [937](#)