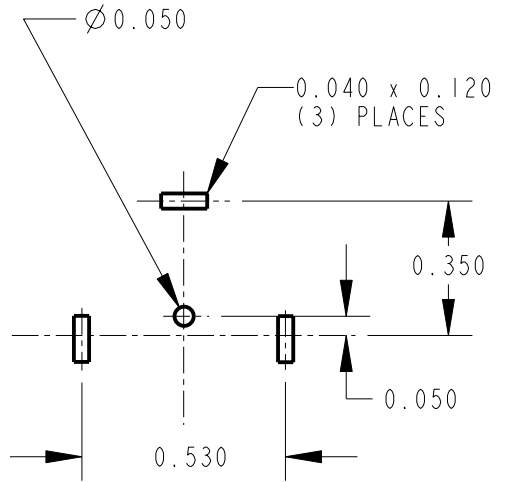
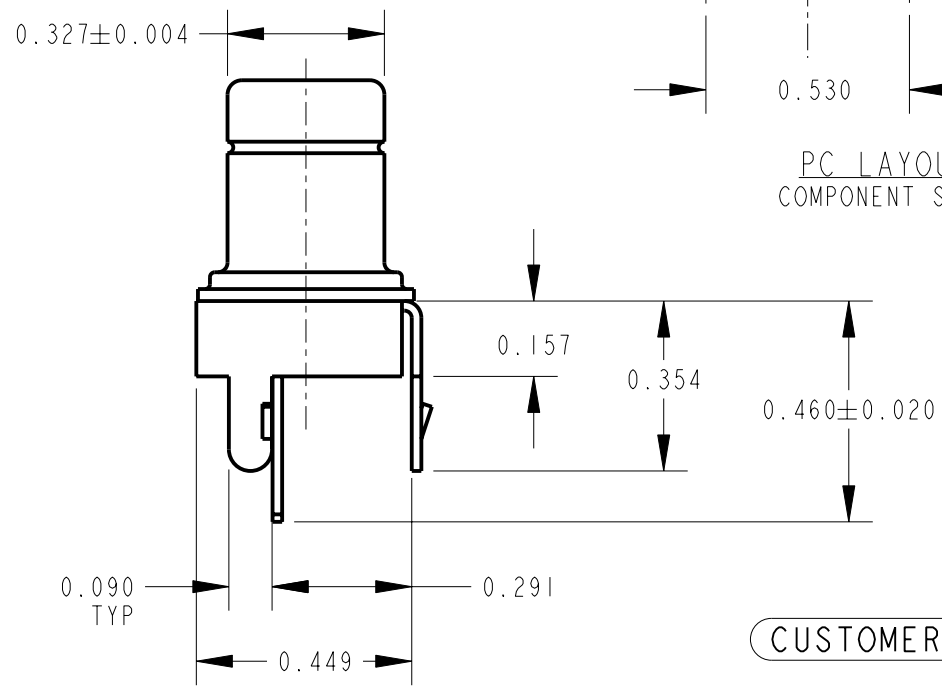
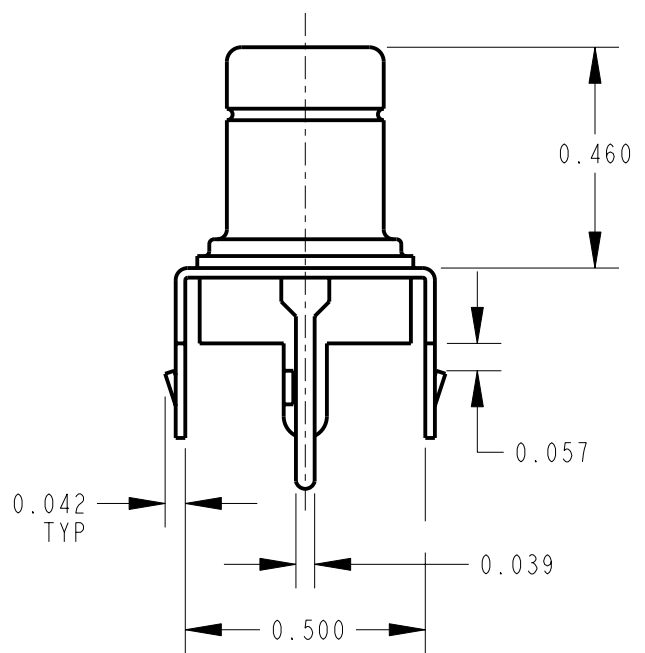


NOTES:

1. ALL DIMENSIONS ARE REFERENCE.
2. MATERIALS:  
 FRAME & SHELL - STEEL, TIN PLATED  
 CENTER TERMINAL - BRASS, TIN PLATED  
 INSULATORS - THERMOPLASTIC, BLACK
3. THIS PRODUCT IS RoHS COMPLIANT.



PC LAYOUT  
COMPONENT SIDE



CUSTOMER DRAWING

| REV       | ECO NUMBER | DATE   | BY  | APVD |
|-----------|------------|--------|-----|------|
| A         | 26024      | 3-9-07 | TJK | GG   |
| REVISIONS |            |        |     |      |

★ STAR SYMBOL DENOTES CRITICAL DIMENSION

UNLESS OTHERWISE SPECIFIED

1. ALL DIMENSIONS IN INCHES  
 - TWO PLACE DECIMALS ±0.01  
 - THREE PLACE DECIMALS ±0.005  
 - ANGLES ±1°  
 - ALL DIA. CONCENTRIC WITHIN 0.005 T.I.R.
2. FEATURES ON THE SAME CENTERLINE MUST BE ALIGNED WITHIN ±0.002
3. REMOVE ALL BURRS

DO NOT SCALE DRAWING

|  |       |               |              |        |
|--|-------|---------------|--------------|--------|
| THIS DRAWING DESCRIBES A DESIGN CONSIDERED PROPRIETARY IN NATURE, DEVELOPED AND MANUFACTURED BY SWITCHCRAFT INC. AND IS RELEASED ON A CONFIDENTIAL BASIS FOR IDENTIFICATION PURPOSES ONLY. |       |               |              |        |
| SIZE   | WIDTH | MULT          | LBS/M        | TEMPER |
| FINISH   |       | MATERIAL      |              |        |
| SPEC No.   |       | SPEC No.      |              |        |
| FIRST USED ON  |       | SCALE         |              |        |
|  |       | 5:2           |              |        |
| DATE DRAWN   | BY    | CHKD          | APVD         |        |
| 3-9-07   | TJK   | TJK<br>3-9-07 | GG<br>3-9-07 |        |
| NAME   |       | PART No.      |              | REV    |
| RCA JACK, RoHS<br>VERTIACL PC MOUNT  |       | 3514PCX       |              | A      |

## X-ON Electronics

Largest Supplier of Electrical and Electronic Components

*Click to view similar products for [RCA Phono Connectors](#) category:*

*Click to view products by [Switchcraft](#) manufacturer:*

Other Similar products are found below :

[16PJ035](#) [16PJ092-E](#) [16PJ092R-E](#) [174-0153-E](#) [174-4358-E](#) [174-4359-E](#) [17PP052](#) [280L](#) [174-0254-E](#) [17PP058](#) [333-0000](#) [343-0500](#) [RCA I.D.](#)  
[RED](#) [54B](#) [330F3](#) [336AX](#) [342-0000](#) [AP-165](#) [598](#) [AX101880](#) [16PJ150](#) [716SNS1P11PL-25](#) [585](#) [330-0000](#) [341-0000](#) [588](#) [431-0100](#) [171-](#)  
[ADRJRJ-E](#) [171-ADRPRP-E](#) [NYS355](#) [19-1268](#) [PJRAN1X1U01AUX](#) [ACJD-BLK](#) [553-0400](#) [553-0200](#) [NF2D-2](#) [NF2D-6](#) [NF2D-9](#) [NF2D-B-](#)  
[0](#) [NF2D-B-4](#) [NF2D-B-5](#) [299](#) [ACJB-BLK](#) [ACJD-BLU](#) [ACJD-RED](#) [ACJD-WHT](#) [ACJD-YEL](#) [ACJB-BLU](#) [PJRAN1X1U04AUX](#)  
[PJRAN3X1U01AU](#) [RCP-025](#)