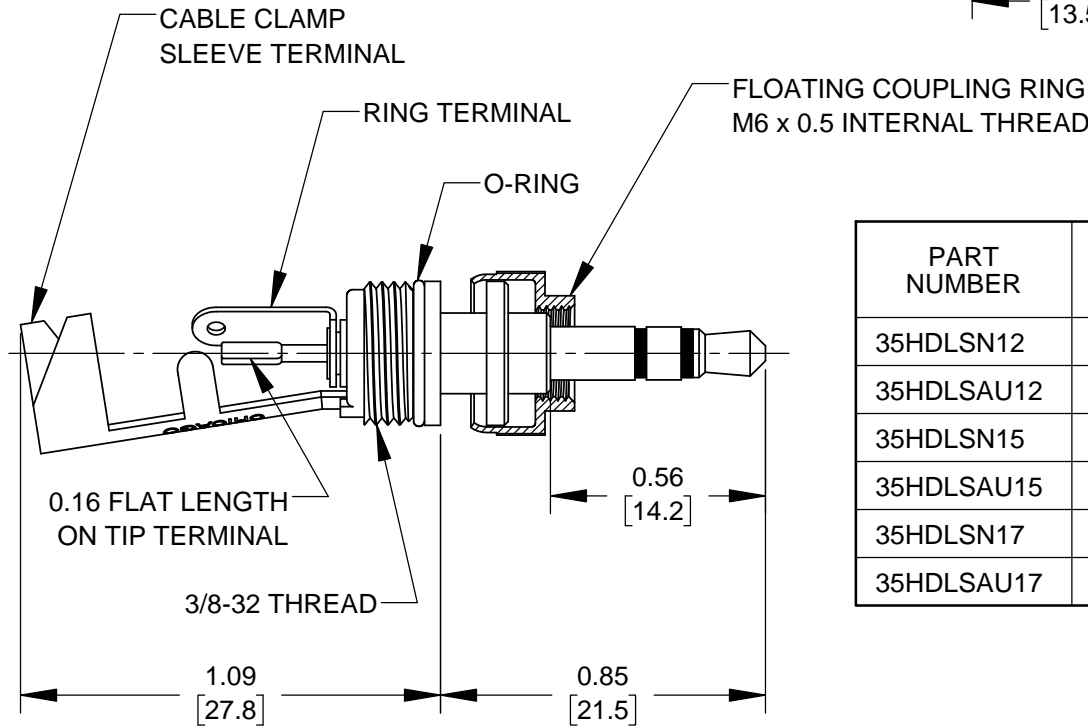
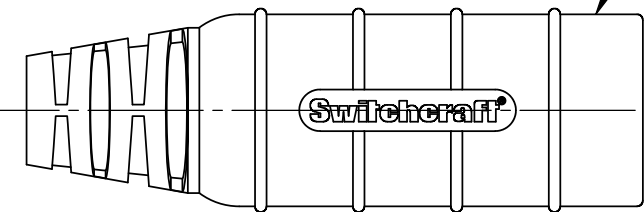


OVERMOLDED HANDLE & TUBULAR INSULATOR  
SHIPPED UNASSEMBLED



PART NUMBER	PLUG FINISH	"A" DIMENSION	CABLE DIAMETER RANGE
35HDLSN12	TIN	Ø0.140 [3.56]	0.125 - 0.150 [3.18 - 3.81]
35HDLSAU12	GOLD		
35HDLSN15	TIN	Ø0.160 [4.06]	0.150 - 0.175 [3.81 - 4.45]
35HDLSAU15	GOLD		
35HDLSN17	TIN	Ø0.190 [4.83]	0.175 - 0.210 [4.45 - 5.33]
35HDLSAU17	GOLD		

NOTES:

- SPECIFICATIONS:  
CONTACT RESISTANCE: 20 MILIOHMS MAX.  
DIELECTRIC WITHSTANDING VOLTAGE - 250 VAC MIN  
INSULATION RESISTANCE @ 500 VDC - 2,000 MEGAOHMS MIN  
MAX WORKING VOLTAGE - 250 VAC, 140VDC  
CURRENT CARRY @ WORKING VOLTAGE - 4 AMPS  
INSERT / WITHDRAWAL FORCE - TYPICAL 2.5/2 LBS  
TEMPERATURE RANGE: -20°C TO 85°C (OPERATING)  
PASSES IP67 & IP68 AFTER:  
THERMAL SHOCK - MIL-STD-202, METHOD 107G  
VIBRATION - MIL-STD-202, METHOD 201  
LIFE - 5,000 CYCLES

- MATERIALS:  
PLUG BODY, TIP ROD & RING - COPPER ALLOY, TIN OR GOLD PLATED  
PLUG INSULATION - THERMOPLASTIC, BLACK  
RING TERMINAL - COPPER ALLOY, TIN PLATED  
CABLE CLAMP - STEEL, TIN PLATED  
COUPLING RING - COPPER ALLOY, NICKEL PLATED  
HANDLE - COPPER ALLOY, NICKEL PLATED  
HANDLE OVERMOLD - THERMOPLASTIC RUBBER, BLACK  
TUBULAR INSULATOR - MYLAR  
O-RING - THERMOPLASTIC RUBBER

3. THESE PRODUCTS ARE RoHS COMPLIANT.

**CUSTOMER DRAWING**

REVISIONS					UNLESS OTHERWISE SPECIFIED 1. ALL DIMENSIONS IN INCHES [mm] - TWO PLACE DECIMALS ±0.02 [0.5] - THREE PLACE DECIMALS ±0.005 [0.13]	THIS DRAWING DESCRIBES A DESIGN CONSIDERED PROPRIETARY IN NATURE, DEVELOPED AND MANUFACTURED BY SWITCHCRAFT INC. AND IS RELEASED ON A CONFIDENTIAL BASIS FOR IDENTIFICATION PURPOSES ONLY.					
REV	ECO NUMBER	DATE	BY	APVD		SIZE	WIDTH	MULT	LBS/M	TEMPER	
C	28192	08/19/19	PC	TJK	DO NOT SCALE DRAWING	FINISH				MATERIAL SPEC No.	
B	28161	04/15/19	PC	TJK		SPEC No.					
A	28106	11/09/18	PC	TJK		FIRST USED ON		SCALE 1:1			
						DATE DRAWN	BY	CHKD	APVD		SHEET 1 OF 1
					NAME 3.5mm SEALED LOCKING STEREO PLUG, RoHS					PART No. 35HDLS_SERIES	REV C

## X-ON Electronics

Largest Supplier of Electrical and Electronic Components

*Click to view similar products for [Phone Connectors](#) category:*

*Click to view products by [Switchcraft](#) manufacturer:*

Other Similar products are found below :

[M444B](#) [6J1041A](#) [R4F](#) [E12BPKG](#) [ECP4PKG](#) [161-3502L-E](#) [MT333X](#) [171-0350-EX](#) [171-101A-EX](#) [171-3325-EX](#) [176S](#) [NC3MG-V](#)  
[NS112BX](#) [NYS228G](#) [P10834](#) [P2380](#) [P2381X](#) [P2411X](#) [P2412](#) [P2724](#) [JM2PB-AU BULK](#) [9144](#) [S2674](#) [280L](#) [163-158N-2-E](#) [171-3308-EX](#)  
[171-3500-E](#) [2501FT](#) [CMT335](#) [M10662](#) [330Q](#) [RJ5VI-S](#) [40116](#) [TM1R-AU](#) [TM2PBMJ-AU](#) [TM2PJ-AU](#) [TM2PJ-AU BULK](#) [4803.1351](#)  
[49201](#) [49205](#) [TS3PBJ-AU](#) [TS3PBMJ-AU](#) [TT32BX](#) [54B](#) [40112](#) [40205](#) [415](#) [XMT332B](#) [52170017-331](#) [570](#)