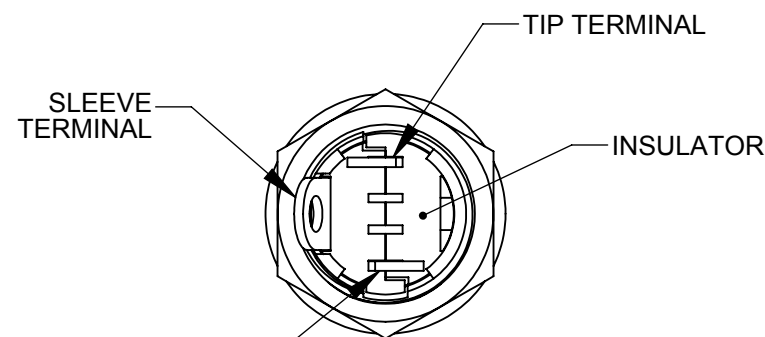
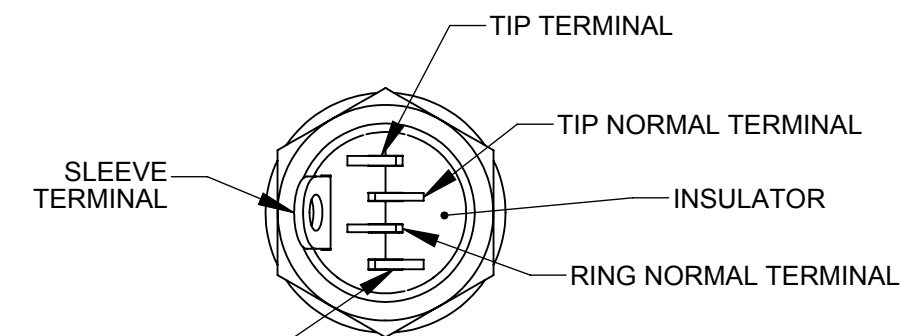


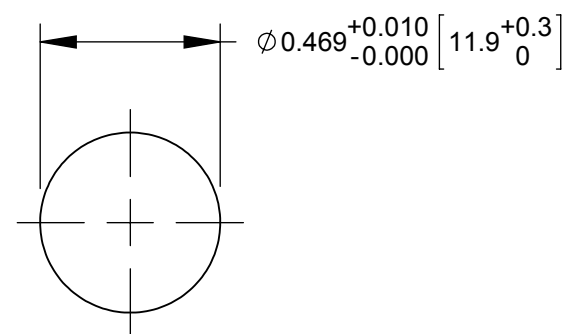
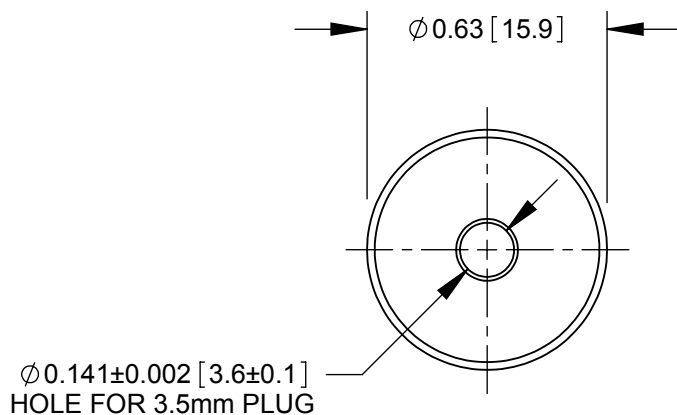
35MMJ2C



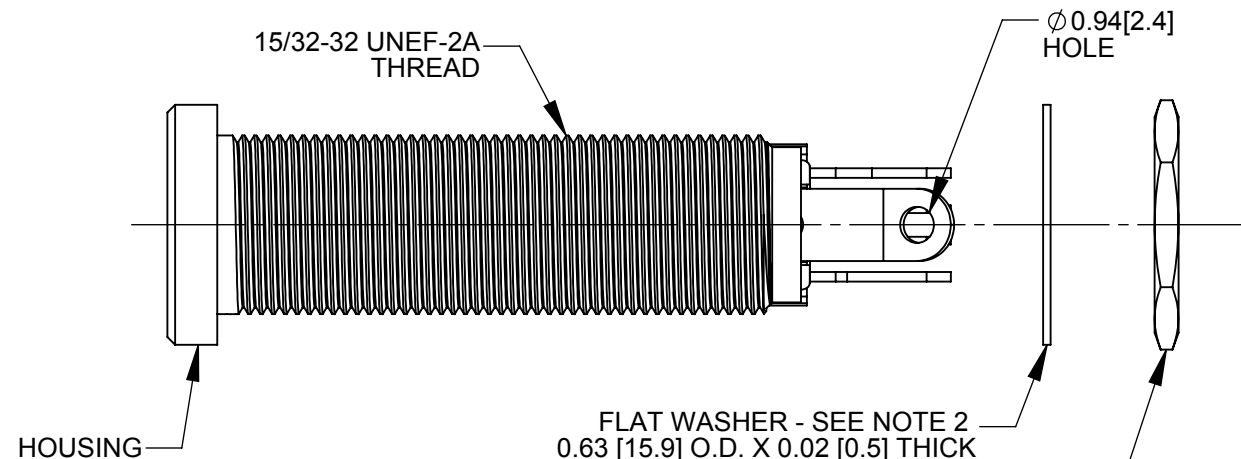
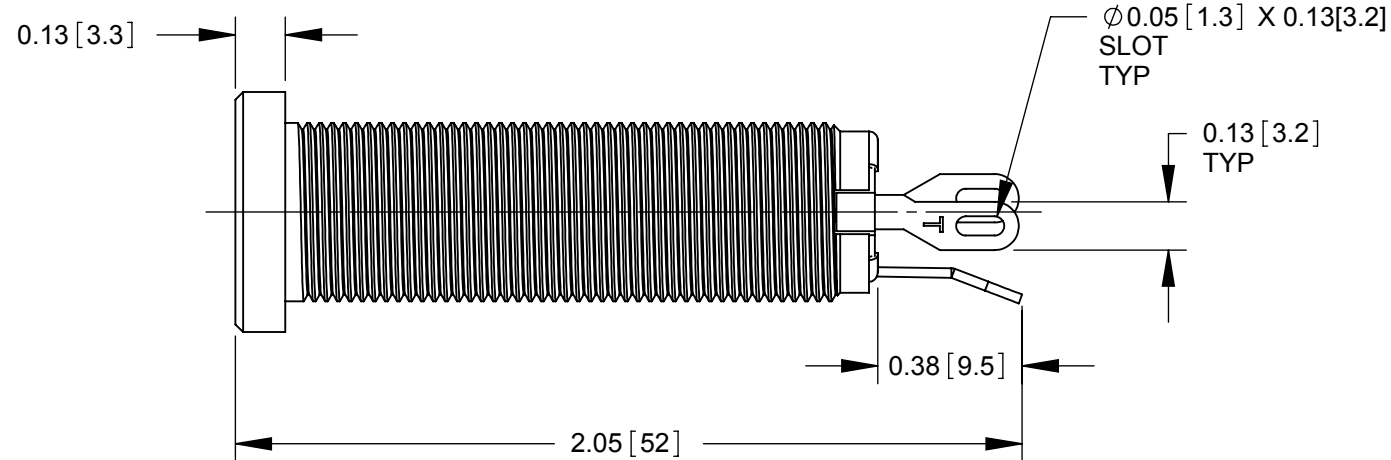
35MMJ3C



35MMJ5C



RECOMMENDED
PANEL CUT-OUT



**35MMJ5C
SHOWN**

PART NUMBER	DESCRIPTION
35MMJ2C	3.5mm JACK, 2-CONDUCTOR MONO
35MMJ3C	3.5mm JACK, 3-CONDUCTOR STEREO
35MMJ5C	3.5mm JACK, 5-CONDUCTOR STEREO NORMALLED

CUSTOMER DRAWING

NOTES:

- MATERIALS:
SPRINGS - NICKEL SILVER
HOUSING - BRASS, NICKEL PLATED
INSULATOR - THERMOPLASTIC, BLACK
NUT & WASHER - BRASS, NICKEL PLATED
- HARDWARE SHIPPED UNASSEMBLED.
- THIS PRODUCT IS RoHS COMPLIANT.

REV	ECO NUMBER	DATE	BY	APVD
A	25462	10/20/06	RS	TJK
REVISIONS				

UNLESS OTHERWISE SPECIFIED

- ALL DIMENSIONS IN INCHES
- TWO PLACE DECIMALS ±0.02
- THREE PLACE DECIMALS ±0.005

DO NOT SCALE DRAWING

THIS DRAWING DESCRIBES A DESIGN CONSIDERED PROPRIETARY IN NATURE, DEVELOPED AND MANUFACTURED BY SWITCHCRAFT INC. AND IS RELEASED ON A CONFIDENTIAL BASIS FOR IDENTIFICATION PURPOSES ONLY.

SIZE	WIDTH	MULT	LBS/M	TEMPER
------	-------	------	-------	--------

FINISH	MATERIAL	SEE NOTES
SPEC No.	SPEC No.	

FIRST USED ON	SCALE
	2:1

DATE DRAWN	BY	CHKD	APVD
10/18/05	PNK	RS	TJK
		6/23/09	9/18/09

NAME	PART No.	REV
3.5mm PHONE JACK, RoHS	35MMJ SERIES	A

Switchcraft®

SHEET 1 OF 1

X-ON Electronics

Largest Supplier of Electrical and Electronic Components

Click to view similar products for [Phone Connectors](#) category:

Click to view products by [Switchcraft](#) manufacturer:

Other Similar products are found below :

[M444B](#) [6J1041A](#) [R4F](#) [E12BPKG](#) [ECP4PKG](#) [161-3502L-E](#) [MT333X](#) [171-0350-EX](#) [171-101A-EX](#) [171-3325-EX](#) [176S](#) [NC3MG-V](#)
[NS112BX](#) [NYS228G](#) [P10834](#) [P2380](#) [P2381X](#) [P2411X](#) [P2412](#) [P2724](#) [JM2PB-AU BULK](#) [9144](#) [S2674](#) [280L](#) [163-158N-2-E](#) [171-3308-EX](#)
[171-3500-E](#) [2501FT](#) [CMT335](#) [M10662](#) [330Q](#) [RJ5VI-S](#) [40116](#) [TM1R-AU](#) [TM2PBMJ-AU](#) [TM2PJ-AU](#) [TM2PJ-AU BULK](#) [4803.1351](#)
[49201](#) [49205](#) [TS3PBJ-AU](#) [TS3PBMJ-AU](#) [TT32BX](#) [54B](#) [C55BX](#) [40112](#) [40205](#) [415](#) [XMT332B](#) [52170017-331](#)