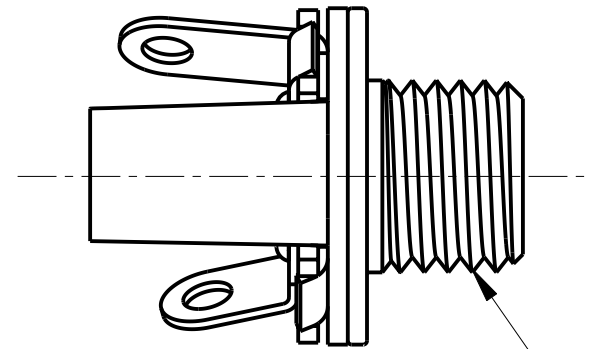
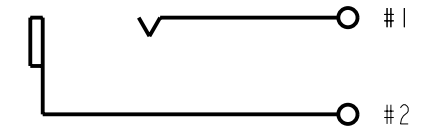


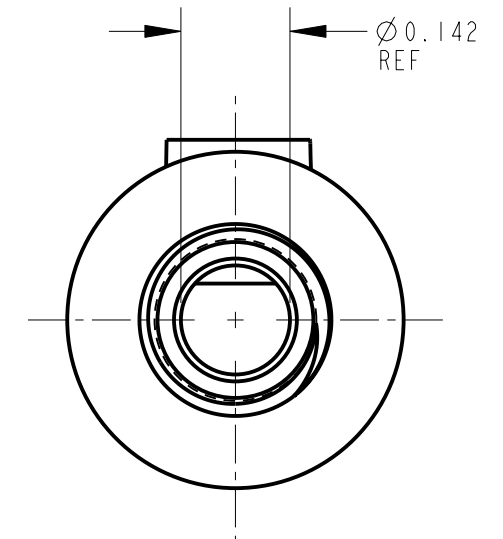
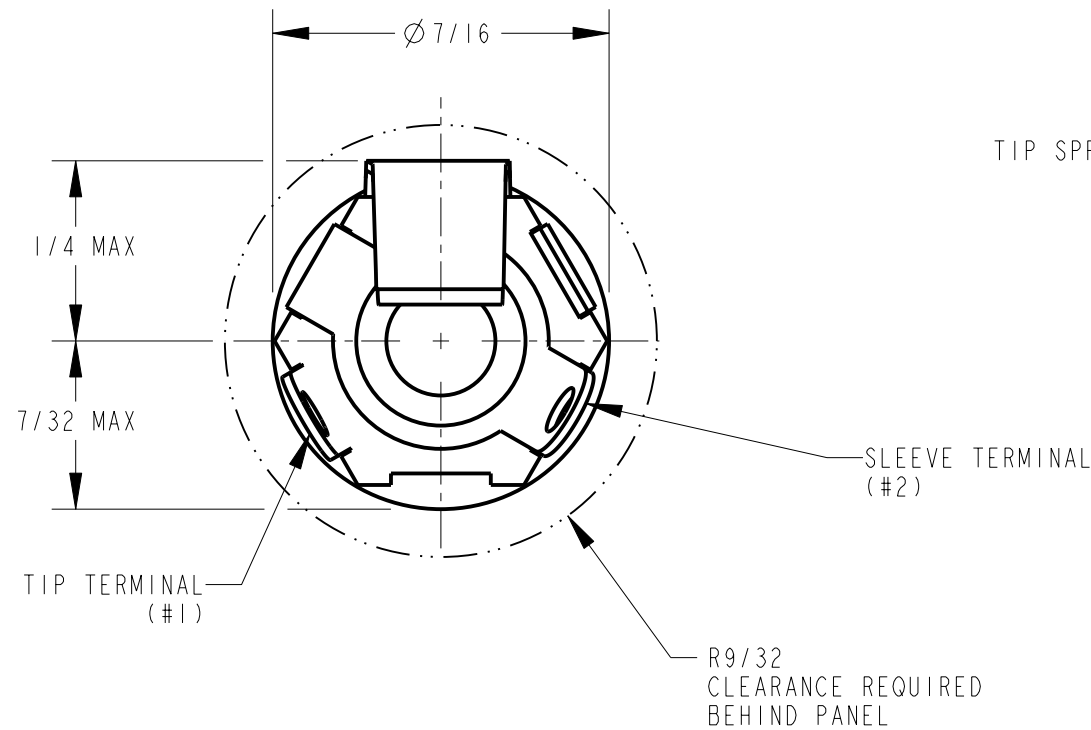
SCALE 3:1



1/4-32 UNEF-2A THREAD



SCHEMATIC CIRCUIT



NOTES:

1. K163A WASHER AND K163B NUT SHIPPED UNASSEMBLED.
2. REQUIREMENTS:  
 SPRING LIFE: INSERTION AND WITHDRAWAL: 5000 CYCLES.  
 DIELECTRIC STRENGTH: 250 VRMS A.C. BETWEEN TIP SPRING AND BUSHING.
3. MATERIALS:  
 BUSHING - BRASS, NICKEL PLATED  
 INSULATORS - PHENOLIC & THERMOPLASTIC  
 TIP SPRING - NICKEL SILVER, SILVER PLATED  
 SLEEVE TERMINAL - BRASS, HOT TIN DIPPED  
 WASHER - STEEL, NICKEL PLATED  
 NUT - COPPER ALLOY, NICKEL PLATED

CUSTOMER DRAWING

					★ STAR SYMBOL DENOTES CRITICAL DIMENSION	THIS DRAWING DESCRIBES A DESIGN CONSIDERED PROPRIETARY IN NATURE, DEVELOPED AND MANUFACTURED BY SWITCHCRAFT INC. AND IS RELEASED ON A CONFIDENTIAL BASIS FOR IDENTIFICATION PURPOSES ONLY.							
					UNLESS OTHERWISE SPECIFIED	SIZE	WIDTH	MULT	LBS/M	TEMPER			
					1. ALL DIMENSIONS IN INCHES - TWO PLACE DECIMALS ±0.01 - THREE PLACE DECIMALS ±0.005 - FRACTIONAL DIMENSIONS ±1/64 - ANGLES ±1° - ALL DIA. CONCENTRIC WITHIN 0.005 T.I.R.	FINISH		MATERIAL					
					2. FEATURES ON THE SAME CENTERLINE MUST BE ALIGNED WITHIN ±0.002	SPEC No.		SPEC No.					
					3. REMOVE ALL BURRS	FIRST USED ON		SCALE					
					DO NOT SCALE DRAWING	4:1		Switchcraft®					
REVISIONS					NAME		DATE DRAWN		BY	CHKD	APVD	SHEET 1 OF 1	
					3.5 MM 2 CONDUCTOR JAX		31-Mar-94	SG	BD	4-18-94	GHJ	PART No. 35PM1	
											REV D		

Pro/Engineer CAD File

B

ROUTING 146 112

## X-ON Electronics

Largest Supplier of Electrical and Electronic Components

*Click to view similar products for [Phone Connectors](#) category:*

*Click to view products by [Switchcraft](#) manufacturer:*

Other Similar products are found below :

[M444B](#) [6J1041A](#) [R4F](#) [E12BPKG](#) [ECP4PKG](#) [161-3502L-E](#) [MT333X](#) [171-0350-EX](#) [171-101A-EX](#) [171-3325-EX](#) [176S](#) [NC3MG-V](#)  
[NS112BX](#) [NYS228G](#) [P10834](#) [P2380](#) [P2381X](#) [P2411X](#) [P2412](#) [P2724](#) [JM2PB-AU BULK](#) [9144](#) [S2674](#) [280L](#) [163-158N-2-E](#) [171-3308-EX](#)  
[171-3500-E](#) [2501FT](#) [CMT335](#) [M10662](#) [330Q](#) [RJ5VI-S](#) [40116](#) [TM1R-AU](#) [TM2PBMJ-AU](#) [TM2PJ-AU](#) [TM2PJ-AU BULK](#) [4803.1351](#)  
[49201](#) [49205](#) [TS3PBJ-AU](#) [TS3PBMJ-AU](#) [TT32BX](#) [54B](#) [C55BX](#) [40112](#) [40205](#) [415](#) [XMT332B](#) [52170017-331](#)