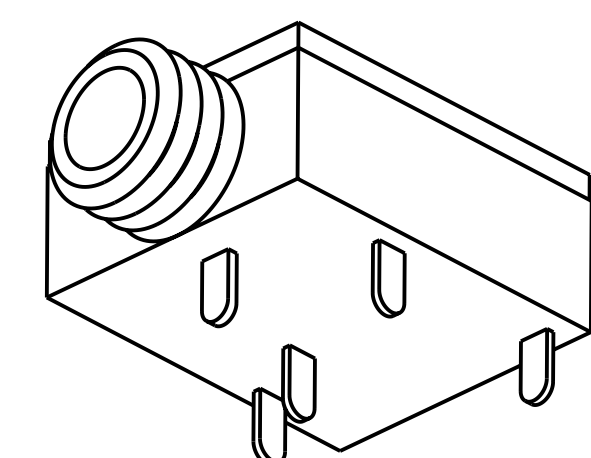


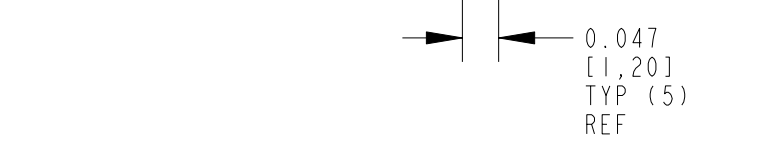
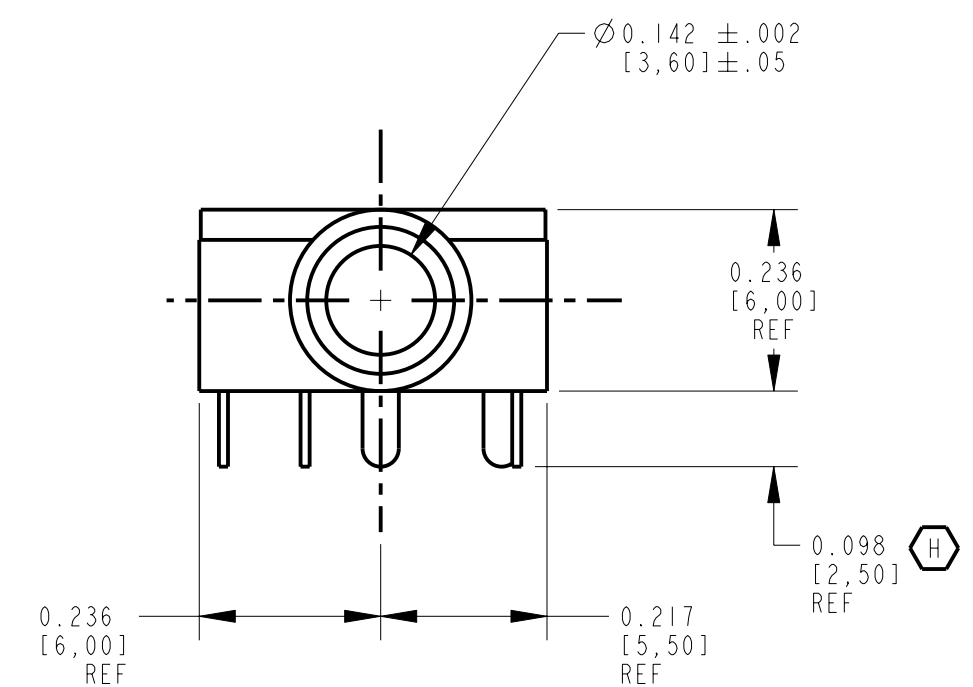
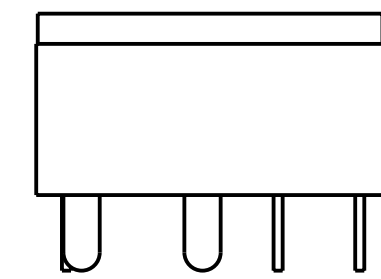
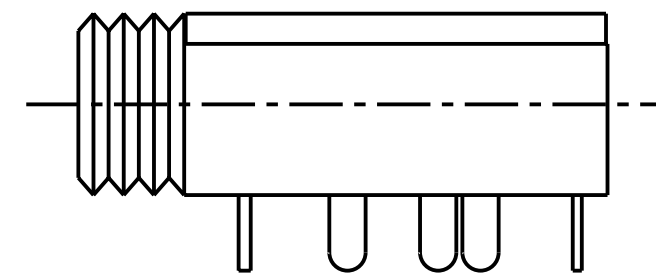
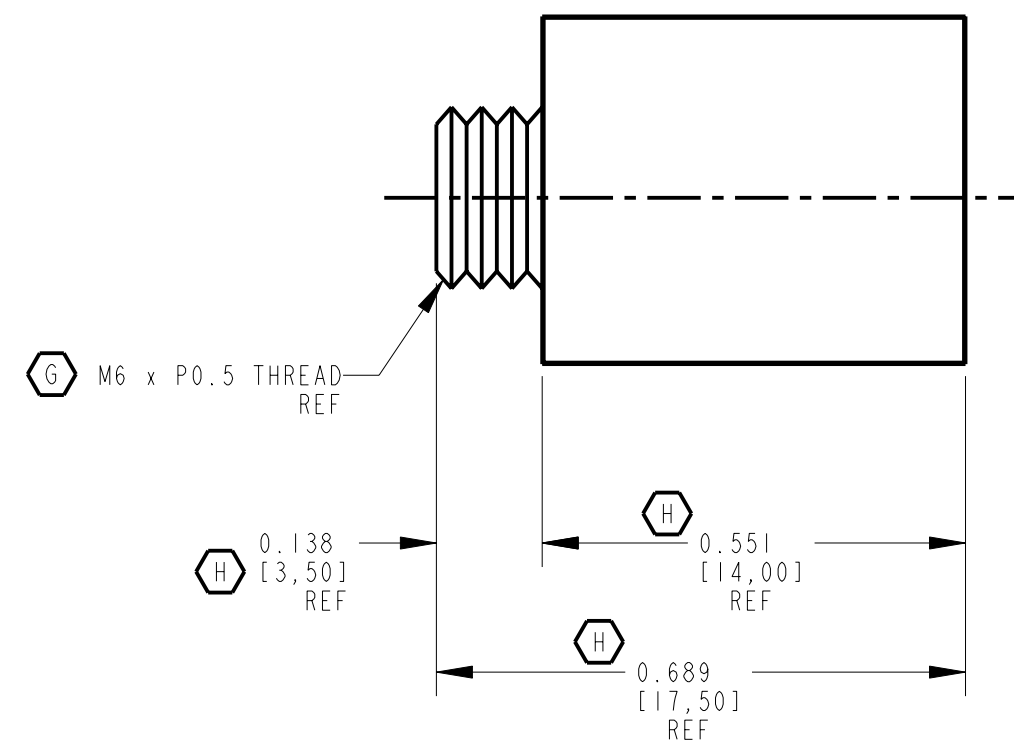
NOTES:

- ELECTRICAL:
CONTACT RESISTANCE: 20 MILLIOHMS MAX. INITIAL
100 MILLIOHMS MAX. AFTER LIFE
INSULATION RESISTANCE: 100 MEGAOHMS MIN.
DIELECTRIC WITH STANDING VOLTAGE: 250 VAC.
- MECHANICAL:
LIFE: 5000 CYCLES
INSERTION FORCE: 0,4 KG TO 1,6 KG
WITHDRAWAL FORCE: 0,4 KG TO 1,4 KG
- MATERIALS:
HOUSING: PBT BLACK, UL94-V0
BUSHING: BRASS, NICKEL PLATED
SPRINGS: COPPER ALLOY, SILVER PLATED
COVER: POLYCARBONATE, CLEAR, UL94-V0
- MOUNTING NUT HARDWARE INCLUDED.
- THIS PRODUCT IS RoHS COMPLIANT.

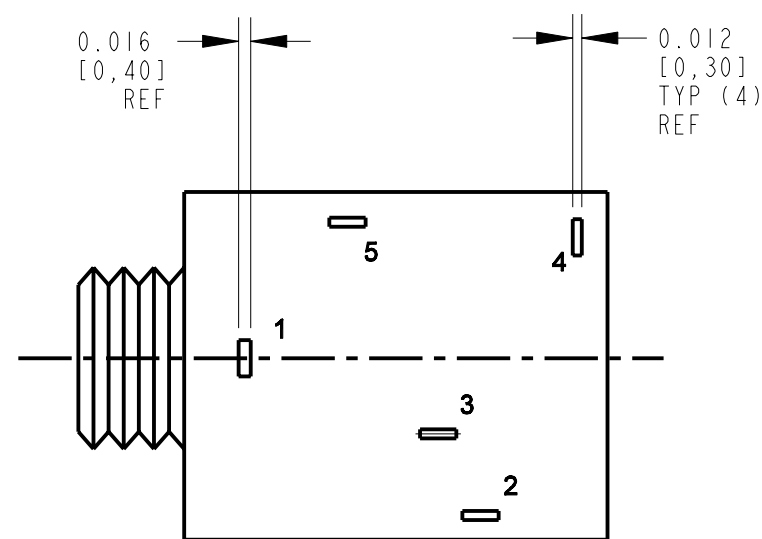
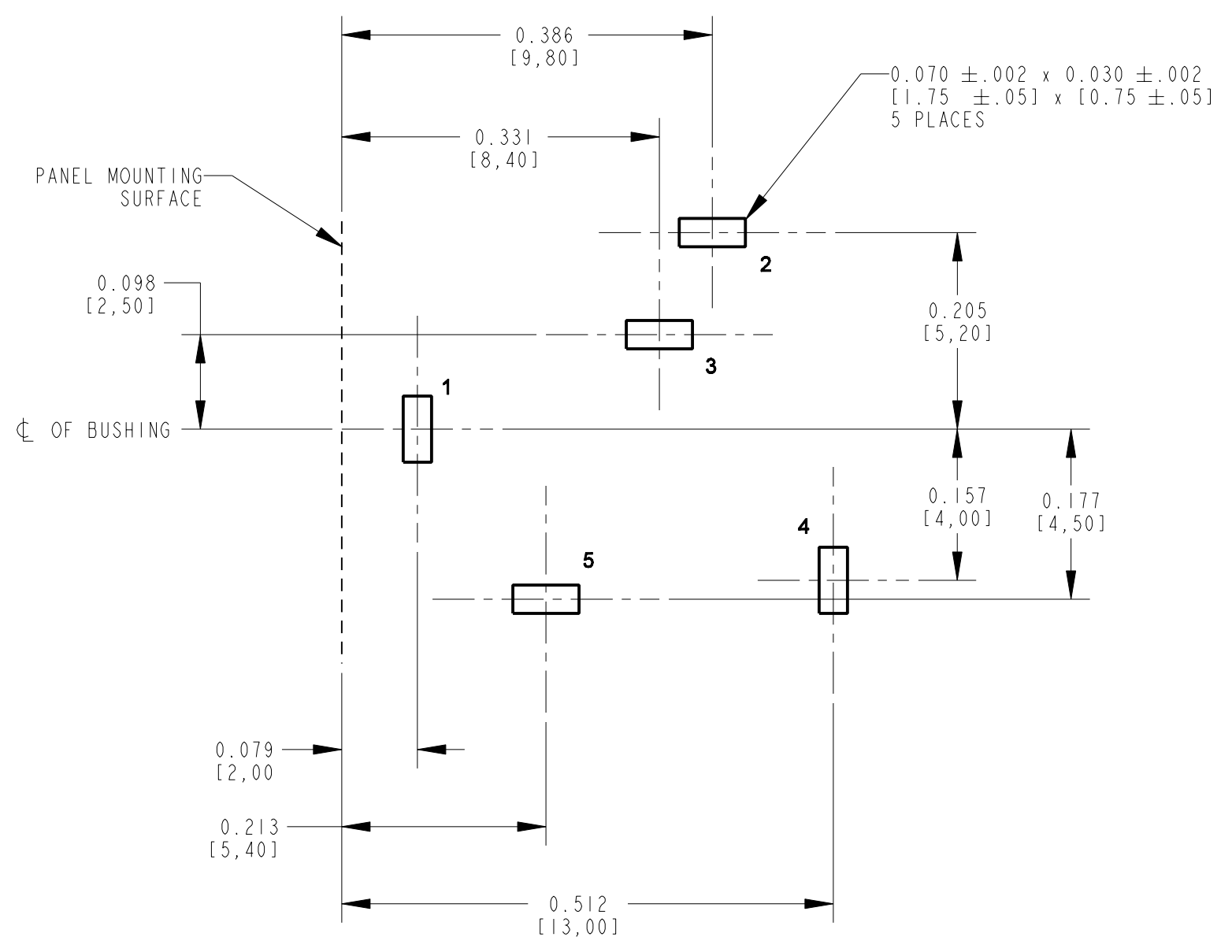
- (F) HOUSING: PBT BLACK, UL94-V0
- (F) BUSHING: BRASS, NICKEL PLATED
- (E) SPRINGS: COPPER ALLOY, SILVER PLATED
- (J) COVER: POLYCARBONATE, CLEAR, UL94-V0



SCALE 4:1



| PART NO. | SCHEMATIC |
|------------|-----------|
| 35RAPC3BH3 | |
| 35RAPC4BH3 | |
| 35RAPC2BH3 | |
| 35RAPC2AH3 | |



SUPPLIED WITH KNURL NUT

CUSTOMER DRAWING

| REVISIONS | | | | | STAR SYMBOL DENOTES CRITICAL DIMENSION | | THIS DRAWING DESCRIBES A DESIGN CONSIDERED PROPRIETARY IN NATURE, DEVELOPED AND MANUFACTURED BY SWITCHCRAFT INC. AND IS RELEASED ON A CONFIDENTIAL BASIS FOR IDENTIFICATION PURPOSES ONLY. | | | | | |
|-----------|------------|----------|-----|------|--|-------|--|-------|--------|--|------------------------------------|--|
| REV | ECO NUMBER | DATE | BY | APVD | SIZE | WIDTH | MULT | LBS/M | TEMPER | | | |
| J | 27551 | 8-4-15 | TO | TJK | UNLESS OTHERWISE SPECIFIED | | | | | | FINISH | |
| H | 26998 | 7-20-12 | TO | TJK | 1. ALL DIMENSIONS IN INCHES | | | | | | MATERIAL | |
| G | 26658 | 11-10-10 | TO | TJK | - TWO PLACE DECIMALS ±0.01 | | | | | | SPEC No. | |
| F | 26553 | 6-8-10 | TJK | TJK | - THREE PALCE DECIMALS ±0.005 | | | | | | FIRST USED ON | |
| E | 21847 | 7-29-97 | RC | JJ | - FRACTIONAL DIMENSIONS ±1/64 | | | | | | SCALE | |
| | | | | | - ANGLES ±1° | | | | | | 4:1 | |
| | | | | | - ALL DIA. CONCENTRIC WITHIN 0.005 T.I.R. | | | | | | DATE DRAWN | |
| | | | | | 2. FEATURES ON THE SAME CENTERLINE MUST BE ALIGNED WITHIN ±0.002 | | | | | | BY | |
| | | | | | 3. REMOVE ALL BURRS | | | | | | CHKD | |
| | | | | | DO NOT SCALE DRAWING | | | | | | APVD | |
| | | | | | | | | | | | ES | |
| | | | | | | | | | | | EBR | |
| | | | | | | | | | | | 9-Dec-93 | |
| | | | | | | | | | | | NAME | |
| | | | | | | | | | | | 3.5MM HORIZONTAL STEREO JACK, RoHS | |
| | | | | | | | | | | | PART No. | |
| | | | | | | | | | | | 35RAPC_H3 | |
| | | | | | | | | | | | SHEET | |
| | | | | | | | | | | | 1 OF 1 | |
| | | | | | | | | | | | REV | |
| | | | | | | | | | | | J | |

RECOMMENDED PC BOARD COMPONENT SIDE

X-ON Electronics

Largest Supplier of Electrical and Electronic Components

Click to view similar products for [Phone Connectors](#) category:

Click to view products by [Switchcraft](#) manufacturer:

Other Similar products are found below :

[M444B](#) [6J1041A](#) [R4F](#) [E12BPKG](#) [ECP4PKG](#) [163-157J-E](#) [MT333X](#) [171-0350-EX](#) [171-101A-EX](#) [171-3325-EX](#) [176S](#) [NC3MG-V](#)
[NYS228G](#) [P10834](#) [P2380](#) [P2381X](#) [P2411X](#) [P2412](#) [P2724](#) [JM2PB-AU BULK](#) [9144](#) [S2674](#) [280L](#) [163-158N-2-E](#) [171-3308-EX](#) [171-3500-E](#)
[2501FT](#) [CMT335](#) [M10662](#) [330Q](#) [RJ5VI-S](#) [40116](#) [TM1R-AU](#) [TM2PBMJ-AU](#) [TM2PJ-AU](#) [TM2PJ-AU BULK](#) [4803.1351](#) [49201](#) [49205](#)
[TS3PBJ-AU](#) [TS3PBMJ-AU](#) [TT32BX](#) [54B](#) [C55BX](#) [40112](#) [40205](#) [415](#) [XMT332B](#) [52170017-331](#) [570](#)