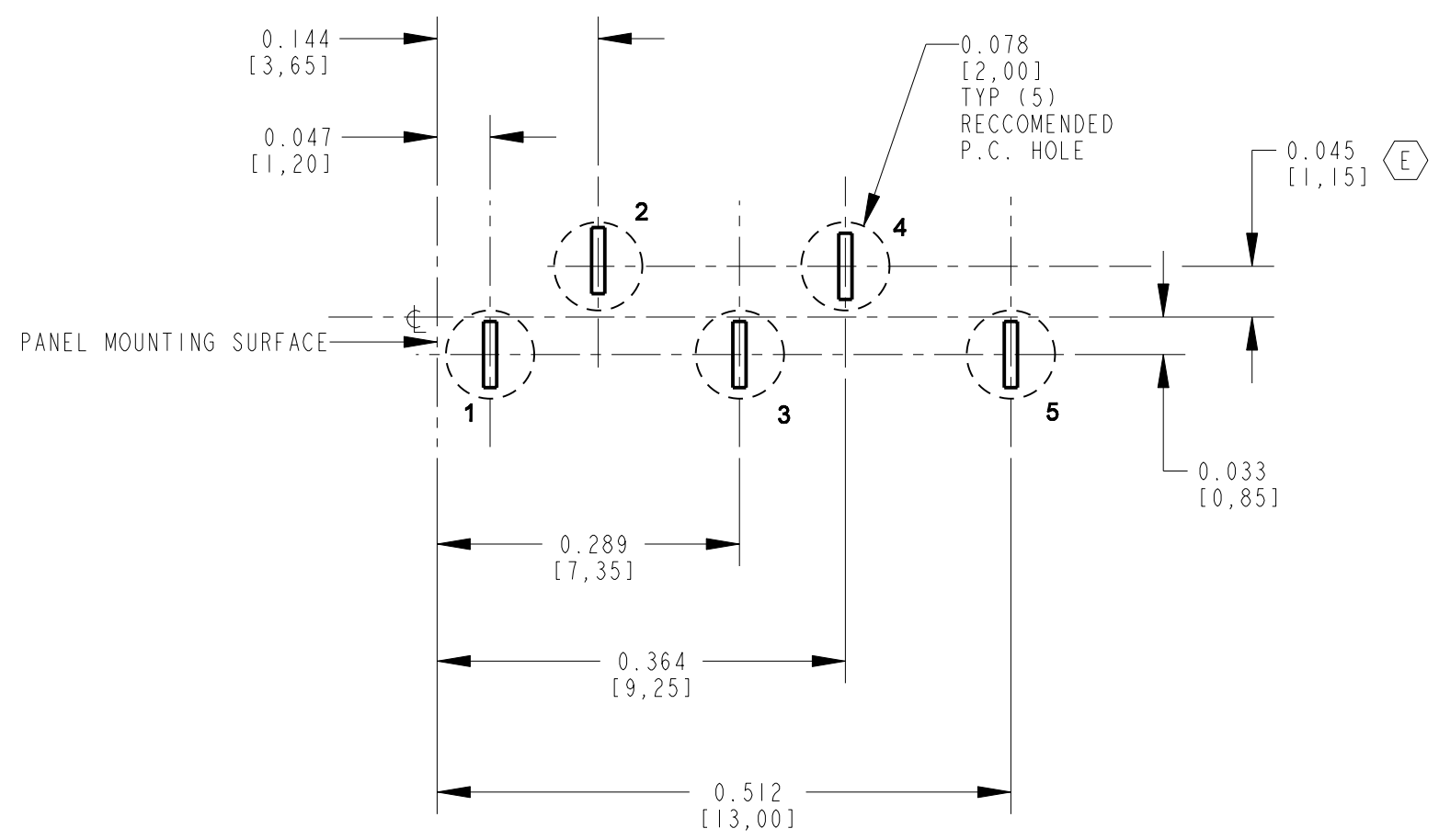
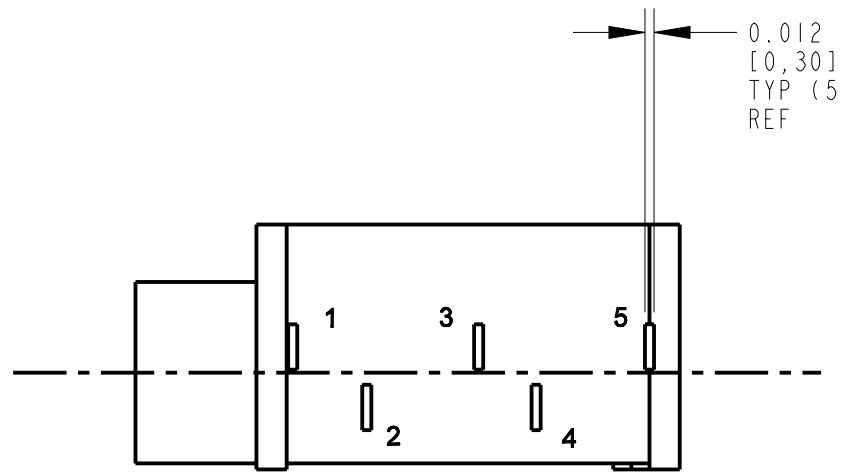
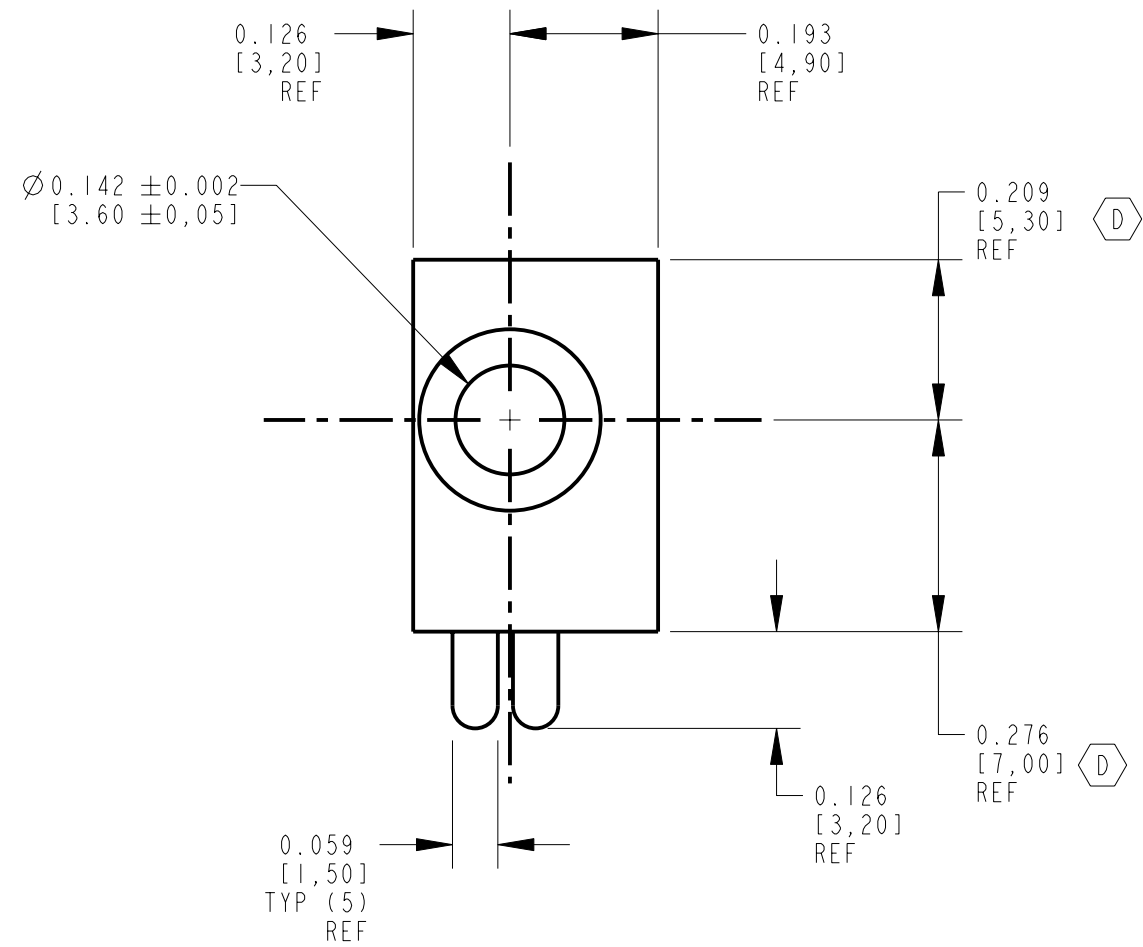
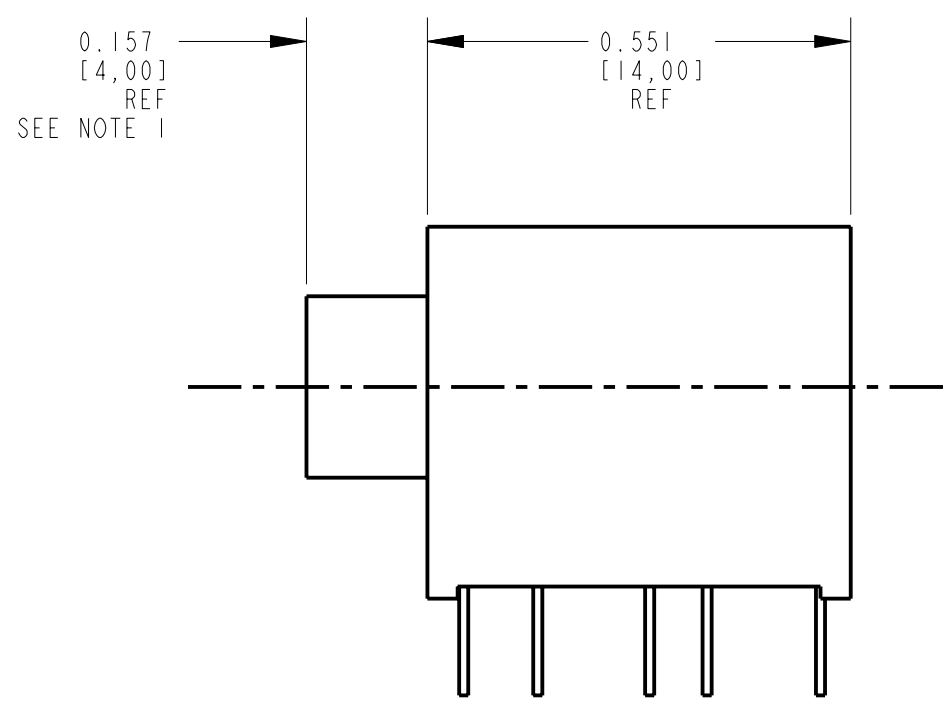


SCALE 4:1



PART NO.	SCHEMATIC
35RAPC3BVN4	
35RAPC4BVN4	
35RAPC2BVN4	
35RAPC2AVN4	

- NOTES:
- ELECTRICAL:  
CONTACT RESISTANCE: 20 MILLIOHMS MAX, INITIAL  
50 MILLIOHMS MAX, AFTER LIFE  
INSULATION RESISTANCE: 50 MEGAOHMS MIN. AT 500 VDC  
DIELECTRIC WITHSTANDING VOLTAGE: 250 VAC
  - MECHANICAL:  
LIFE: 5000 CYCLES  
INSERTION FORCE: 0,4 KG TO 1,6 KG  
WITHDRAWAL FORCE: 0,4 KG TO 1,4 KG
  - MATERIALS:  
HOUSING: PBT +15% GLASS FILLED, BLACK, UL94V0  
BUSHING: BRASS, NICKEL PLATED  
SPRINGS: COPPER ALLOY, SILVER PLATED  
COVER: POLYCARBONATE, CLEAR, UL94V0.
  - THIS PRODUCT IS RoHS COMPLIANT.

REV	ECO NUMBER	DATE	BY	APVD
F	27551	8-4-15	TO	TJK
E	27312	6-19-14	TJK	TJK
D	26658	11-10-10	TO	TJK
C	ECO #21148	6-4-97	OM	JJ
B	ECO #20182	8-26-95	SG	TAO
A	RELEASE TO MFG. ECO #19561	5-4-95	SG	GHJ

★ STAR SYMBOL DENOTES CRITICAL DIMENSION

UNLESS OTHERWISE SPECIFIED

1. ALL DIMENSIONS IN INCHES  
- TWO PLACE DECIMALS ±0.01  
- THREE PLACE DECIMALS ±0.005  
- FRACTIONAL DIMENSIONS ±1/64  
- ANGLES ±1°  
- ALL DIA. CONCENTRIC WITHIN 0.005 T.I.R.

2. FEATURES ON THE SAME CENTERLINE MUST BE ALIGNED WITHIN ±0.002

3. REMOVE ALL BURRS

DO NOT SCALE DRAWING

THIS DRAWING DESCRIBES A DESIGN CONSIDERED PROPRIETARY IN NATURE, DEVELOPED AND MANUFACTURED BY SWITCHCRAFT INC. AND IS RELEASED ON A CONFIDENTIAL BASIS FOR IDENTIFICATION PURPOSES ONLY.				
SIZE	WIDTH	MULT	LBS/M	TEMPER
FINISH		MATERIAL		
SPEC No.		SPEC No.		
FIRST USED ON		SCALE		
		4:1		
DATE DRAWN	BY	CHKD	APVD	
4-May-95	SG	SG	GHJ	
NAME		PART No.		REV
3.5 MM VERTICAL, NON THREADED MONO/STEREO JACK, RoHS		35RAPC_VN4		F

CUSTOMER DRAWING



## X-ON Electronics

Largest Supplier of Electrical and Electronic Components

*Click to view similar products for [Phone Connectors](#) category:*

*Click to view products by [Switchcraft](#) manufacturer:*

Other Similar products are found below :

[M444B](#) [6J1041A](#) [R4F](#) [E12BPKG](#) [ECP4PKG](#) [MT333X](#) [171-0350-EX](#) [171-101A-EX](#) [171-3325-EX](#) [176S](#) [NC3MG-V](#) [NYS228G](#) [P10834](#)  
[P2380](#) [P2381X](#) [P2411X](#) [P2412](#) [P2724](#) [JM2PB-AU BULK](#) [9144](#) [S2674](#) [280L](#) [163-158N-2-E](#) [171-3308-EX](#) [171-3500-E](#) [2501FT](#) [CMT335](#)  
[M10662](#) [330Q](#) [RJ5VI-S](#) [40116](#) [TM1R-AU](#) [TM2PBMJ-AU](#) [TM2PJ-AU](#) [TM2PJ-AU BULK](#) [4803.1351](#) [49201](#) [49205](#) [TS3PBJ-AU](#)  
[TS3PBMJ-AU](#) [TT32BX](#) [54B](#) [C55BX](#) [40112](#) [40205](#) [415](#) [XMT332B](#) [52170017-331](#) [570](#) [NM3](#)