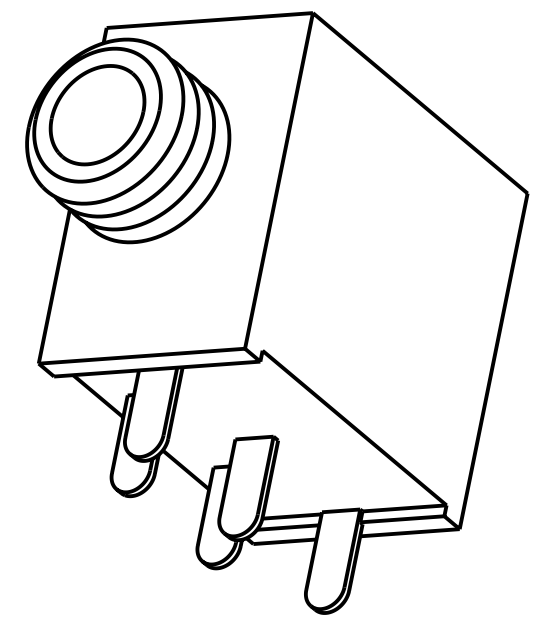
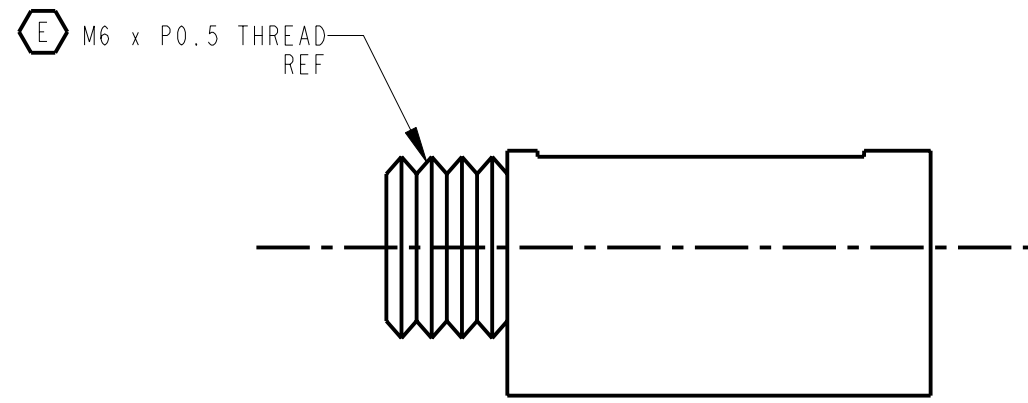
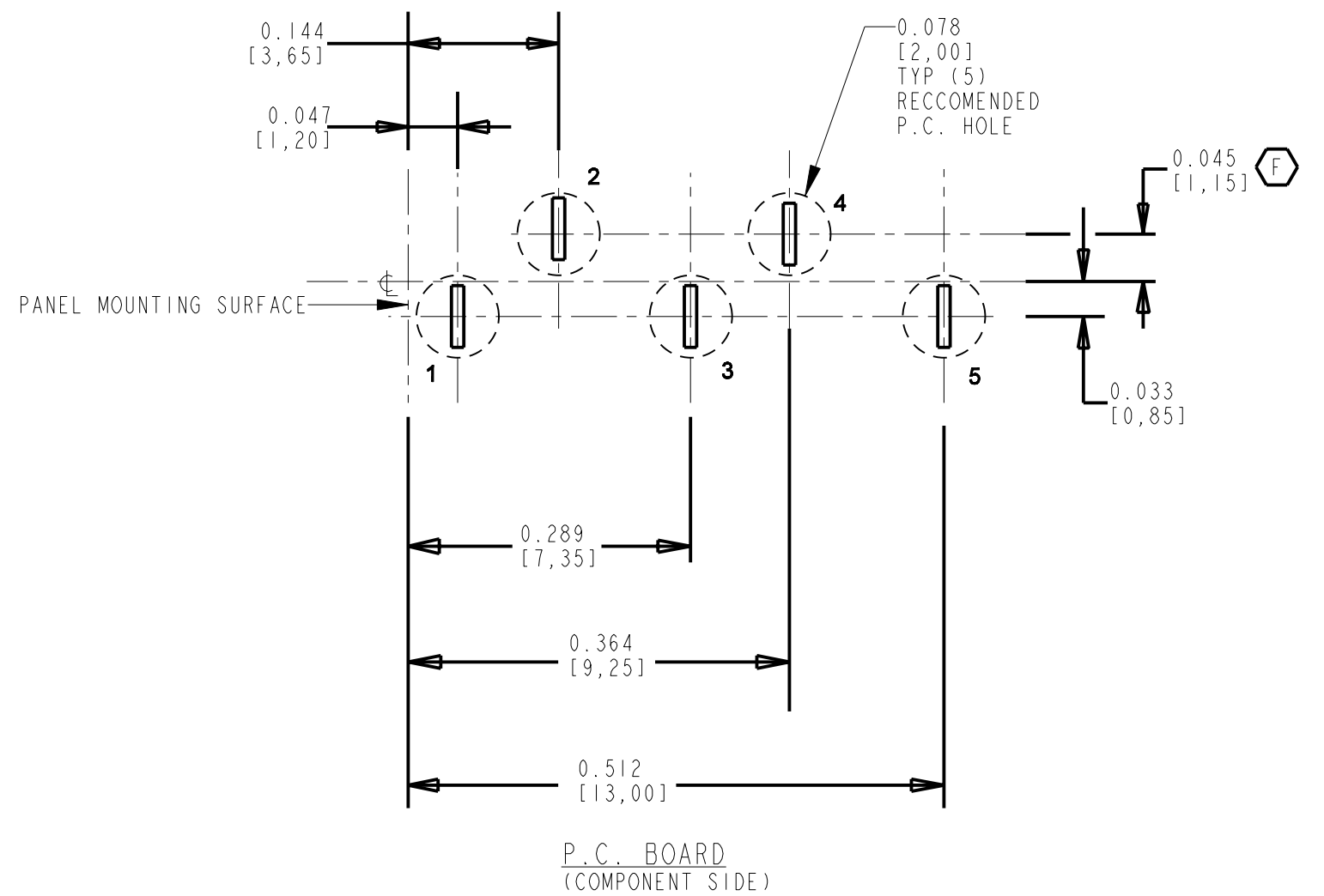
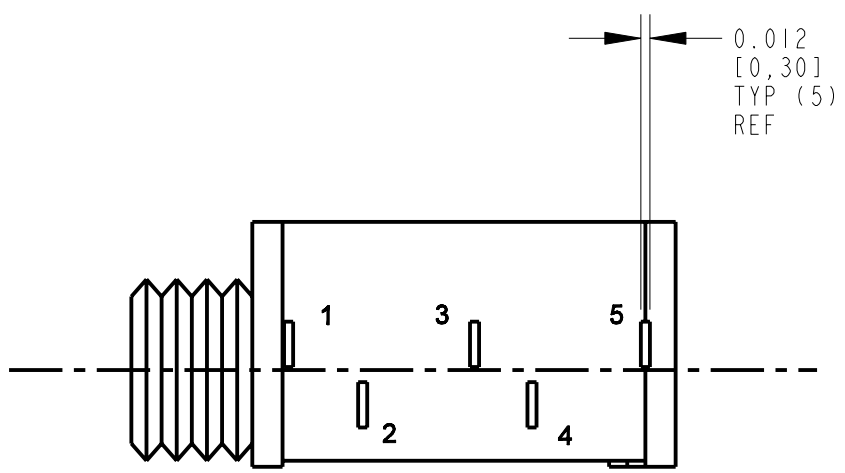
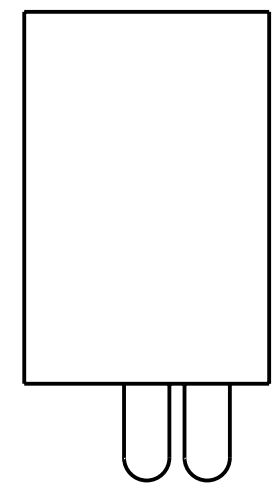
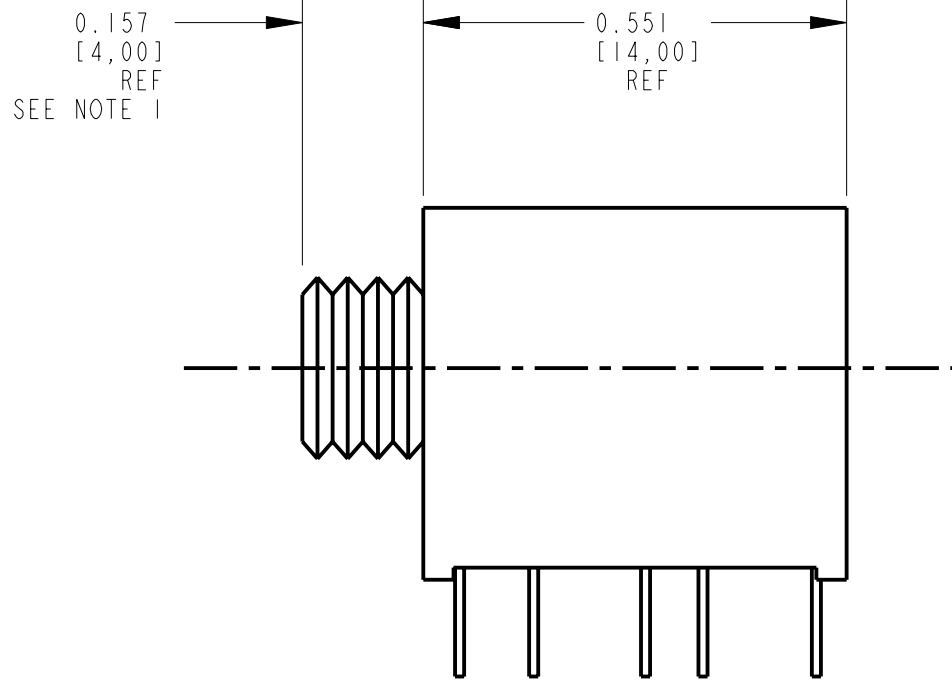
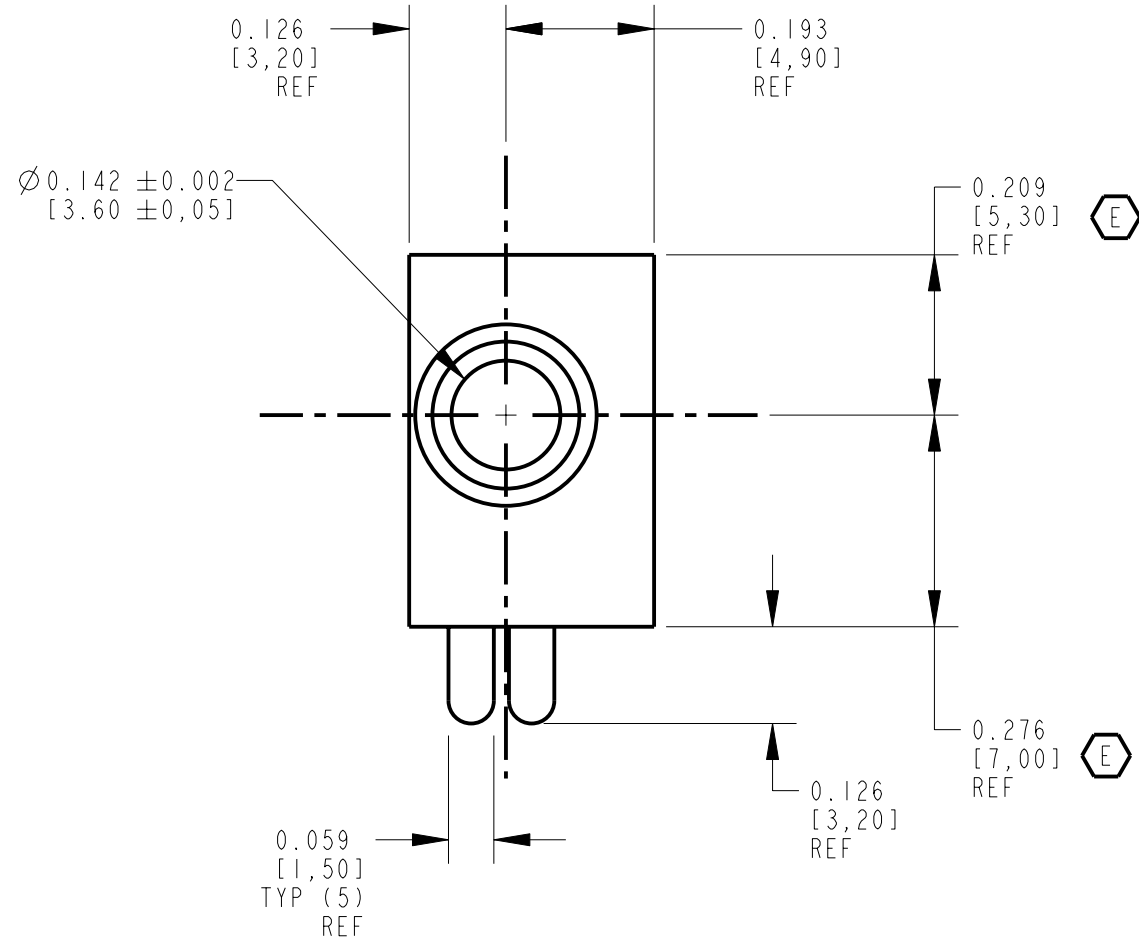


NOTES:

- ELECTRICAL:  
CONTACT RESISTANCE: 20 MILLIOHMS MAX, INITIAL  
50 MILLIOHMS MAX, AFTER LIFE  
INSULATION RESISTANCE: 50 MEGAOHMS MIN. AT 500 VDC  
DIELECTRIC WITHSTANDING VOLTAGE: 250 VAC
- MECHANICAL:  
LIFE: 5000 CYCLES  
INSERTION FORCE: 0,4 KG TO 1,6 KG  
WITHDRAWAL FORCE: 0,4 KG TO 1,4 KG
- MATERIALS:  
HOUSING: PBT +15% GLASS FILLED, BLACK, UL94V0  
BUSHING: BRASS, NICKEL PLATED  
SPRINGS: COPPER ALLOY, SILVER PLATED  
COVER: POLYCARBONATE, CLEAR, UL94V0.
- THIS PRODUCT IS RoHS COMPLIANT.



SCALE 4:1



PART NO.	SCHEMATIC
35RAPC3BV4	
35RAPC4BV4	
35RAPC2BV4	
35RAPC2AV4	

SUPPLIED WITH KNURL NUT.

CUSTOMER DRAWING

G	27551	8-4-15	TO	TJK	★ STAR SYMBOL DENOTES CRITICAL DIMENSION	THIS DRAWING DESCRIBES A DESIGN CONSIDERED PROPRIETARY IN NATURE, DEVELOPED AND MANUFACTURED BY SWITCHCRAFT INC. AND IS RELEASED ON A CONFIDENTIAL BASIS FOR IDENTIFICATION PURPOSES ONLY.						
F	27312	6-19-14	TJK	TJK								
E	26658	11-10-10	TO	TJK	UNLESS OTHERWISE SPECIFIED 1. ALL DIMENSIONS IN INCHES - TWO PLACE DECIMALS ±0.01 - THREE PLACE DECIMALS ±0.005 - FRACTIONAL DIMENSIONS ±1/64 - ANGLES ±1° - ALL DIA. CONCENTRIC WITHIN 0.005 T.I.R.	SIZE	WIDTH	MULT	LBS/M	TEMPER		
D	ECO #20278	11-5-96	MM	EBR		FINISH	MATERIAL					
C	ECO #19567	5-5-95	SG	GHJ		SPEC No.	SPEC No.					
B	ECO #19058	6-29-94	LR	EBR	2. FEATURES ON THE SAME CENTERLINE MUST BE ALIGNED WITHIN ±0.002	FIRST USED ON	SCALE	4:1	<b>Switchcraft</b>			
A	FIRST DRAWN	12-7-93	LR	EBR		DATE DRAWN	BY					CHKD
REV	ECO NUMBER	DATE	BY	APVD	3. REMOVE ALL BURRS	7-Dec-93	LR	12-10-93	12-10-93	SHEET 1 OF 1		
REVISIONS						DO NOT SCALE DRAWING	NAME			PART No. 35RAPC_V4		
						3.5 MM VERTICAL STEREO JACK, RoHS			REV G			

## X-ON Electronics

Largest Supplier of Electrical and Electronic Components

*Click to view similar products for [Phone Connectors](#) category:*

*Click to view products by [Switchcraft](#) manufacturer:*

Other Similar products are found below :

[M444B](#) [6J1041A](#) [R4F](#) [E12BPKG](#) [ECP4PKG](#) [161-3502L-E](#) [MT333X](#) [171-0350-EX](#) [171-101A-EX](#) [171-3325-EX](#) [176S](#) [NC3MG-V](#)  
[NS112BX](#) [NYS228G](#) [P10834](#) [P2380](#) [P2381X](#) [P2411X](#) [P2412](#) [P2724](#) [JM2PB-AU BULK](#) [9144](#) [S2674](#) [280L](#) [163-158N-2-E](#) [171-3308-EX](#)  
[171-3500-E](#) [2501FT](#) [CMT335](#) [M10662](#) [330Q](#) [RJ5VI-S](#) [40116](#) [TM1R-AU](#) [TM2PBMJ-AU](#) [TM2PJ-AU](#) [TM2PJ-AU BULK](#) [4803.1351](#)  
[49201](#) [49205](#) [TS3PBJ-AU](#) [TS3PBMJ-AU](#) [TT32BX](#) [54B](#) [40112](#) [40205](#) [415](#) [XMT332B](#) [52170017-331](#) [570](#)