

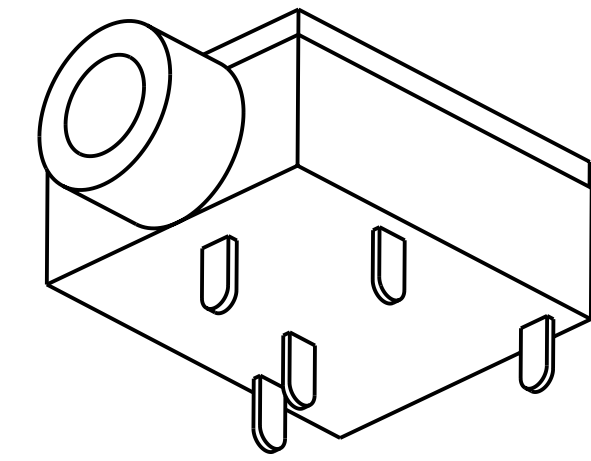
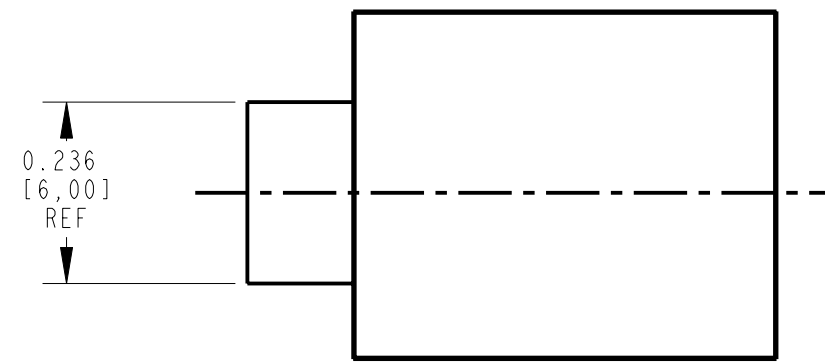
NOTES:

1. ELECTRICAL:
 CONTACT RESISTANCE: 20 MILLIOHMS MAX. INITIAL
 100 MILLIOHMS MAX. AFTER LIFE
 INSULATION RESISTANCE: 100 MEGAOHMS MIN.
 DIELECTRIC WITH STANDING VOLTAGE: 250 VAC.

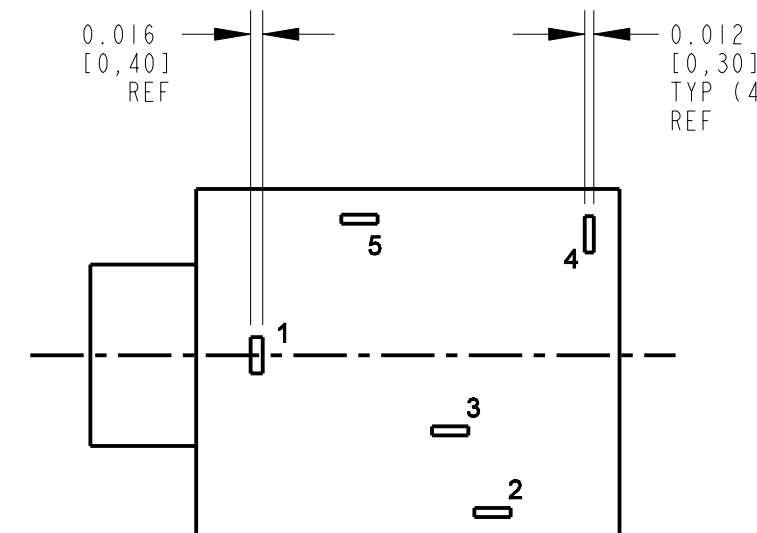
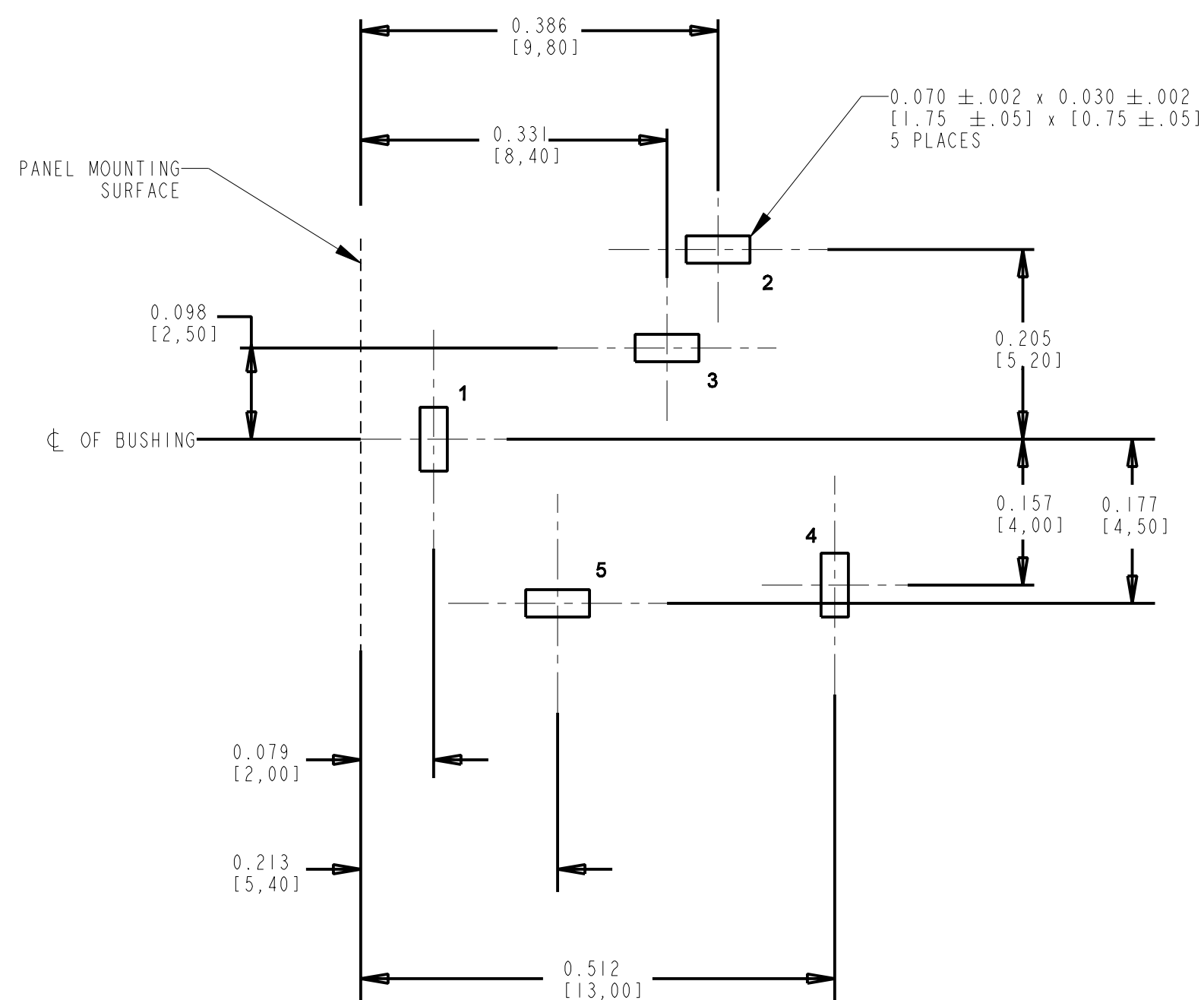
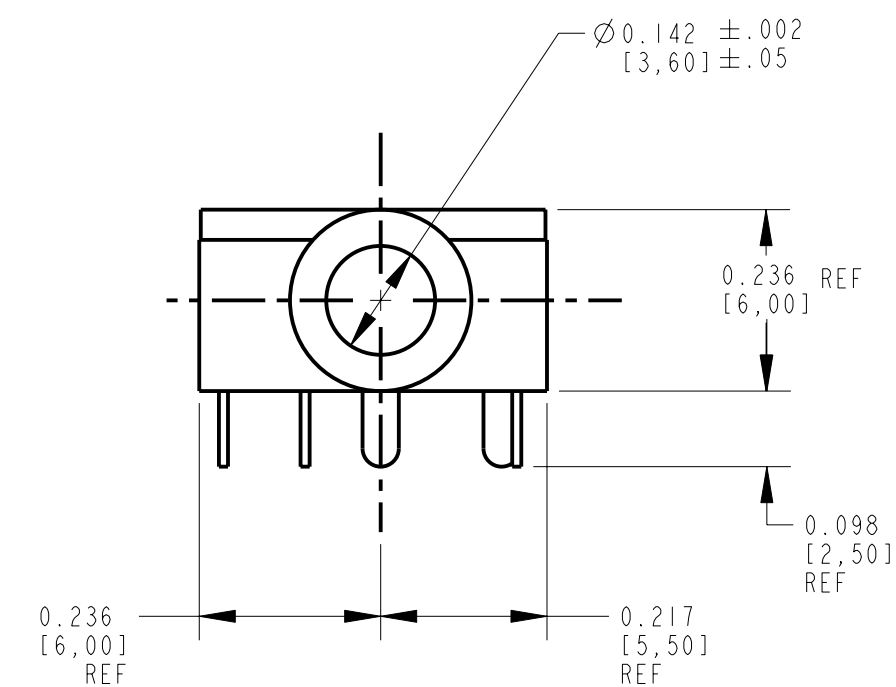
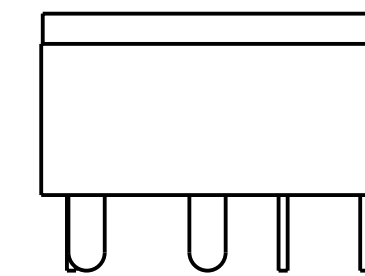
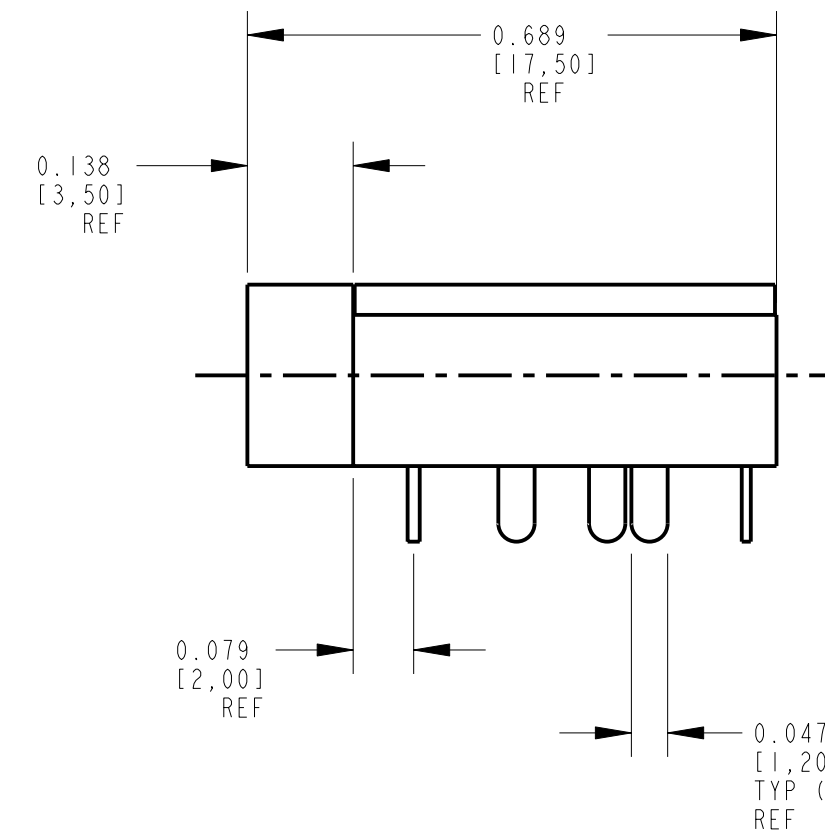
2. MECHANICAL:
 LIFE: 5000 CYCLES
 INSERTION FORCE: 0,4 KG TO 1,6 KG
 WITHDRAWAL FORCE: 0,4 KG TO 1,4 KG

3. MATERIALS:
 HOUSING: PBT BLACK, UL94-V0
 BUSHING: BRASS, NICKEL PLATED
 SPRINGS: COPPER ALLOY, SILVER PLATED
 COVER: POLYCARBONATE, CLEAR, UL94-V0

4. THIS PRODUCT IS RoHS COMPLIANT.



SCALE 4:1



| PART NO. | SCHEMATIC |
|-------------|-----------|
| 35RAPC3BHN3 | |
| 35RAPC4BHN3 | |
| 35RAPC2BHN3 | |
| 35RAPC2AHN3 | |

CUSTOMER DRAWING

| REVISIONS | | | | STAR SYMBOL DENOTES CRITICAL DIMENSION | | | | THIS DRAWING DESCRIBES A DESIGN CONSIDERED PROPRIETARY IN NATURE, DEVELOPED AND MANUFACTURED BY SWITCHCRAFT INC. AND IS RELEASED ON A CONFIDENTIAL BASIS FOR IDENTIFICATION PURPOSES ONLY. | | | | | | |
|-----------|------------|------|----|--|---------------|-------|-------|--|--------|--|--|----------|--|--|
| REV | ECO NUMBER | DATE | BY | APVD | SIZE | WIDTH | MULT | LBS/M | TEMPER | FINISH | | MATERIAL | | |
| | | | | | | | | | | SPEC No. | | SPEC No. | | |
| | | | | | FIRST USED ON | | SCALE | | | | | | | |
| | | | | | 4-May-95 SG | | 4:1 | | | | | | | |
| | | | | | DATE DRAWN | | BY | CHKD | APVD | NAME: 3.5 MM HORIZONTAL, NON THREADED BUSHING MONO/STEREO JACK, RoHS | | | | |
| | | | | | 4-May-95 | | SG | SG | GHJ | PART No. 35RAPC_HN3 | | | | |
| | | | | | 4-May-95 | | | | | SHEET OF REV D | | | | |

RECOMMENDED PC BOARD
 COMPONENT SIDE

X-ON Electronics

Largest Supplier of Electrical and Electronic Components

Click to view similar products for [Phone Connectors](#) category:

Click to view products by [Switchcraft](#) manufacturer:

Other Similar products are found below :

[M444B](#) [6J1041A](#) [R4F](#) [E12BPKG](#) [ECP4PKG](#) [161-3502L-E](#) [MT333X](#) [171-0350-EX](#) [171-101A-EX](#) [171-3325-EX](#) [176S](#) [NC3MG-V](#)
[NS112BX](#) [NYS228G](#) [P10834](#) [P2380](#) [P2381X](#) [P2411X](#) [P2412](#) [P2724](#) [JM2PB-AU BULK](#) [9144](#) [S2674](#) [280L](#) [163-158N-2-E](#) [171-3308-EX](#)
[171-3500-E](#) [2501FT](#) [CMT335](#) [M10662](#) [330Q](#) [RJ5VI-S](#) [40116](#) [TM1R-AU](#) [TM2PBMJ-AU](#) [TM2PJ-AU](#) [TM2PJ-AU BULK](#) [4803.1351](#)
[49201](#) [49205](#) [TS3PBJ-AU](#) [TS3PBMJ-AU](#) [TT32BX](#) [54B](#) [C55BX](#) [40112](#) [40205](#) [415](#) [XMT332B](#) [52170017-331](#)