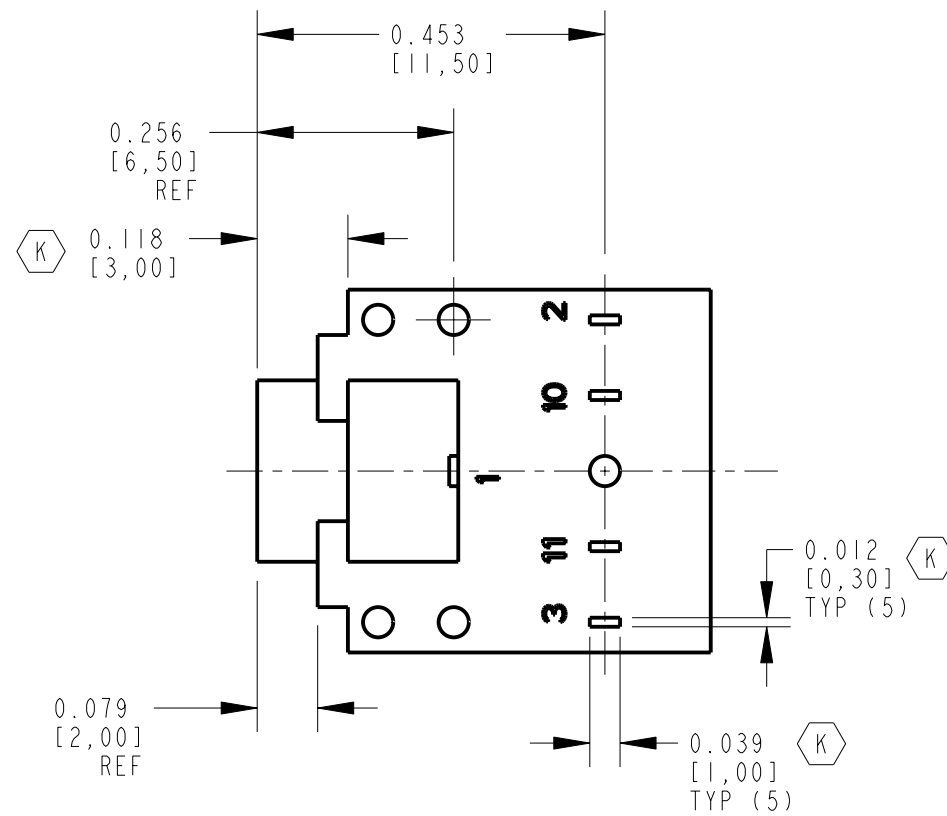
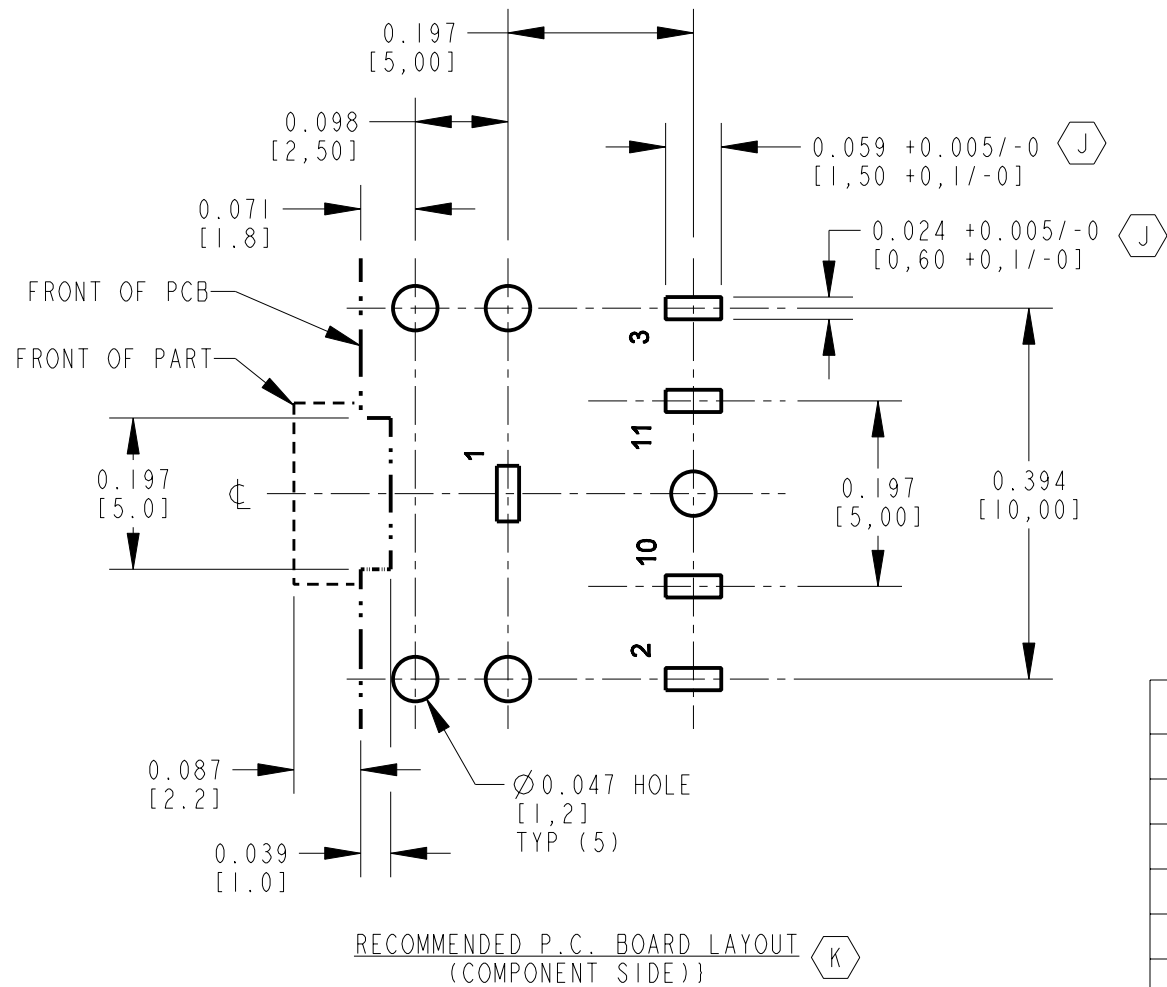
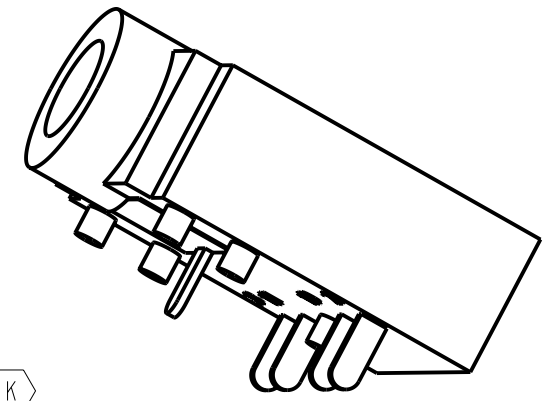
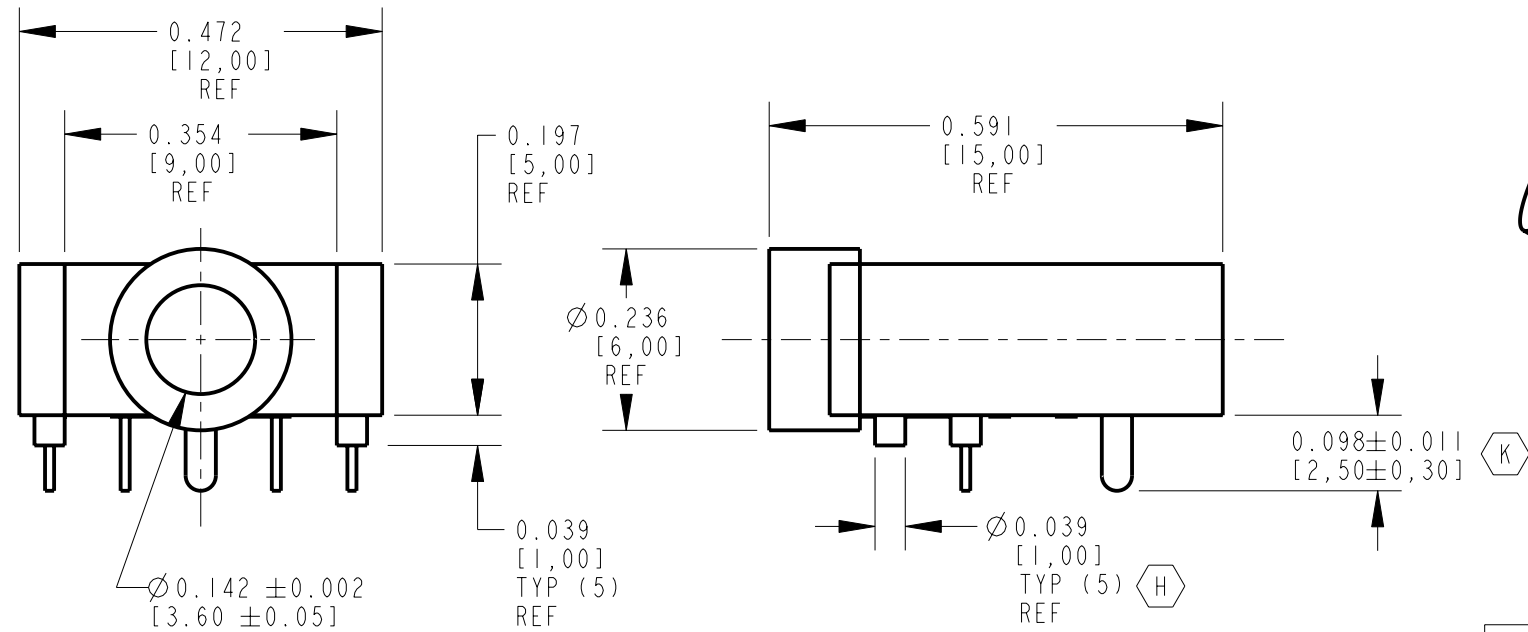


NOTES:

- ELECTRICAL:
CONTACT RESISTANCE: 0.030 OHMS MAX INITIAL,
0.100 OHMS MAX AFTER LIFE TEST.
INSULATION RESISTANCE: 100 MEGAOHMS MIN @ 500 VDC
DIELECTRIC WITHSTANDING VOLTAGE: 500 VAC
- MECHANICAL:
LIFE: 5000 CYCLES
INSERTION FORCE: 0,4 KG TO 3 KG
WITHDRAWAL FORCE: 0,4 KG TO 3 KG
- MATERIALS:
HOUSING: PBT, BLACK, UL94V-0
COVER: PBT, BLACK, UL94V-0
BUSHING: BRASS, NICKEL PLATED
SPRINGS: COPPER ALLOY, SILVER PLATED
- THIS PRODUCT IS RoHS COMPLIANT.



SHOWN 35RAPC4BHN2

PART NUMBER	SCHEMATIC
35RAPC2AHN2	
35RAPC3BHN2	
35RAPC4BHN2	
35RAPC2BHN2	

CUSTOMER DRAWING

REV	ECO NUMBER	DATE	BY	APVD	STAR SYMBOL DENOTES CRITICAL DIMENSION	THIS DRAWING DESCRIBES A DESIGN CONSIDERED PROPRIETARY IN NATURE, DEVELOPED AND MANUFACTURED BY SWITCHCRAFT INC. AND IS RELEASED ON A CONFIDENTIAL BASIS FOR IDENTIFICATION PURPOSES ONLY.
L	27551	8-4-15	TO	TJK	UNLESS OTHERWISE SPECIFIED	SIZE WIDTH MULT LBS/M TEMPER
K	27056	11-20-12	TO	TJK	1. ALL DIMENSIONS IN INCHES - TWO PLACE DECIMALS ±0.01 - THREE PLACE DECIMALS ±0.005 - FRACTIONAL DIMENSIONS ±1/64 - ANGLES ±1° - ALL DIA. CONCENTRIC WITHIN 0.005 T.I.R.	FINISH SPEC No. MATERIAL SPEC No.
J	26998	7-20-12	TO	TJK	2. FEATURES ON THE SAME CENTERLINE MUST BE ALIGNED WITHIN ±0.002	FIRST USED ON SCALE 4:1
H	26658	11-10-10	TO	TJK	3. REMOVE ALL BURRS	DATE DRAWN BY CHKD APVD
G	26553	6-8-10	TJK	TJK	DO NOT SCALE DRAWING	9-Dec-93 LR LR 12-10-93 EBR 12-10-93
F	ECO # 24453	4-10-03	SRC	TJK		NAME 3.5MM HORIZONTAL STEREO JACK, RoHS
REVISIONS						Switchcraft®
						SHEET 1 OF 1
						PART No. 35RAPC_HN2 REV L

X-ON Electronics

Largest Supplier of Electrical and Electronic Components

Click to view similar products for [Phone Connectors](#) category:

Click to view products by [Switchcraft](#) manufacturer:

Other Similar products are found below :

[M444B](#) [6J1041A](#) [R4F](#) [E12BPKG](#) [ECP4PKG](#) [161-3502L-E](#) [MT333X](#) [171-0350-EX](#) [171-101A-EX](#) [171-3325-EX](#) [176S](#) [NC3MG-V](#)
[NS112BX](#) [NYS228G](#) [P10834](#) [P2380](#) [P2381X](#) [P2411X](#) [P2412](#) [P2724](#) [JM2PB-AU BULK](#) [9144](#) [S2674](#) [280L](#) [163-158N-2-E](#) [171-3308-EX](#)
[171-3500-E](#) [2501FT](#) [CMT335](#) [M10662](#) [330Q](#) [RJ5VI-S](#) [40116](#) [TM1R-AU](#) [TM2PBMJ-AU](#) [TM2PJ-AU](#) [TM2PJ-AU BULK](#) [4803.1351](#)
[49201](#) [49205](#) [TS3PBJ-AU](#) [TS3PBMJ-AU](#) [TT32BX](#) [54B](#) [40112](#) [40205](#) [415](#) [XMT332B](#) [52170017-331](#) [570](#)