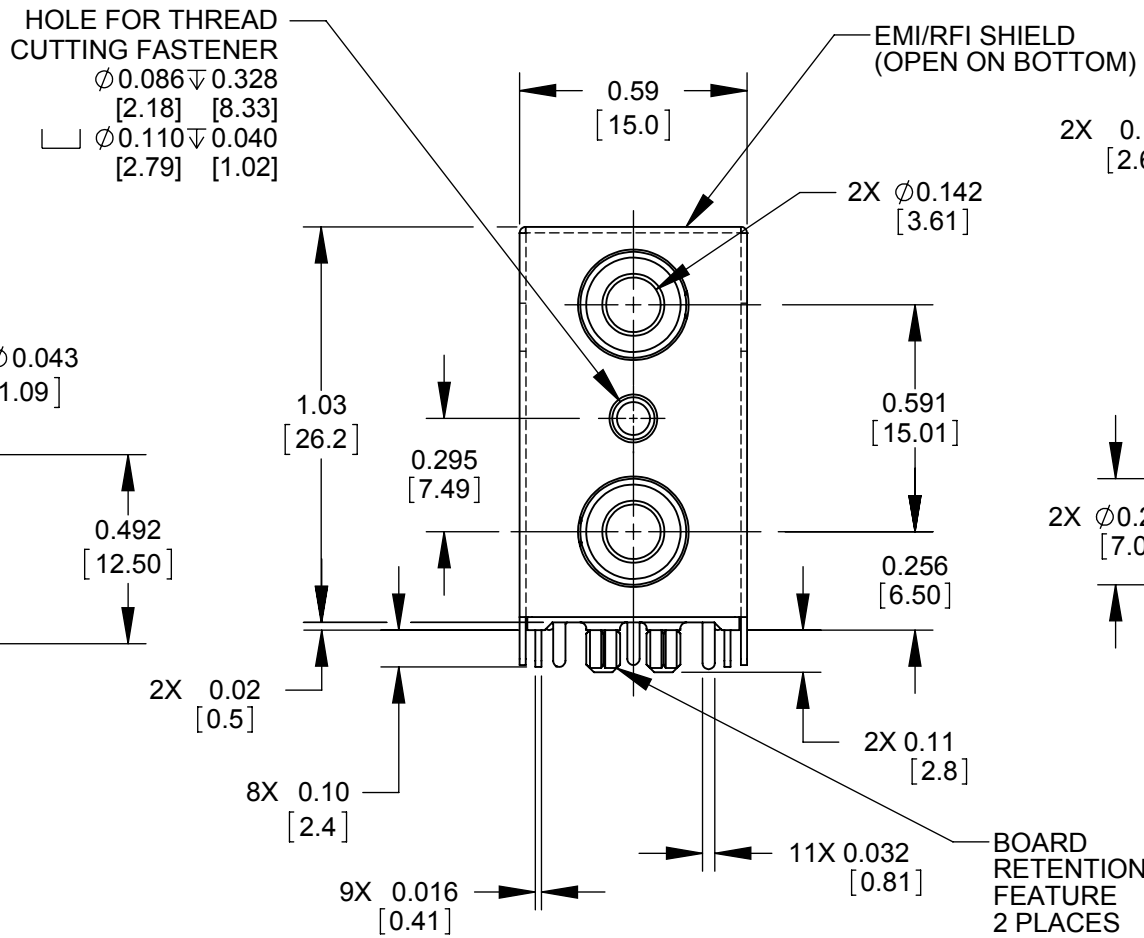
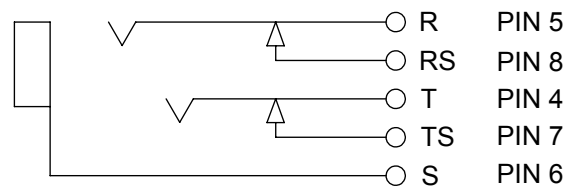


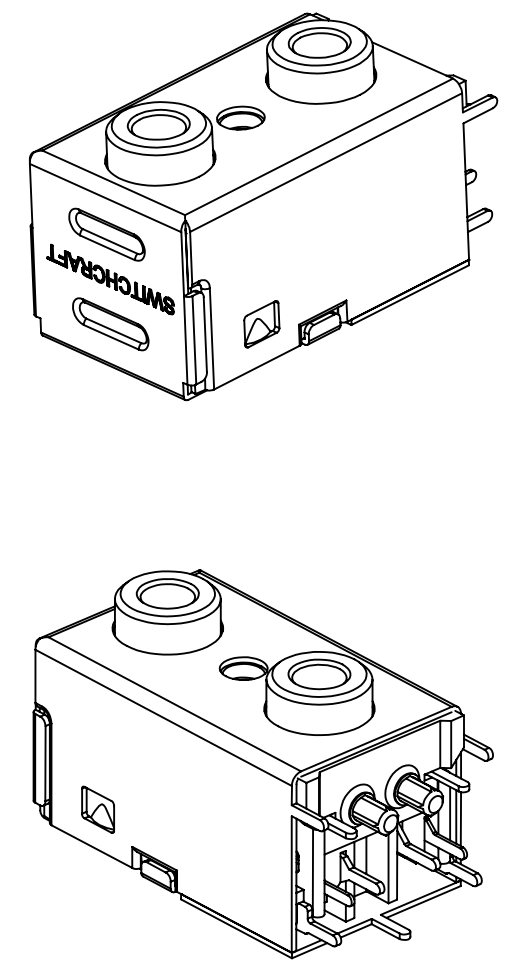
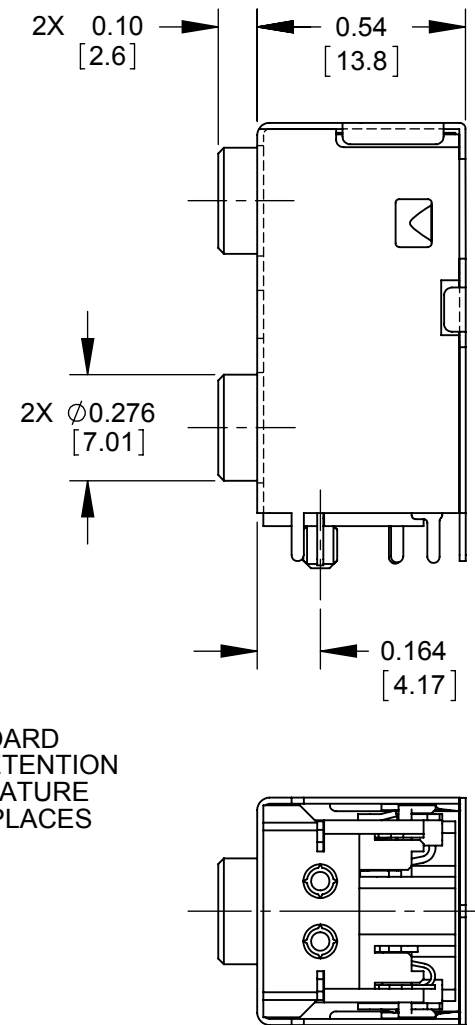
**RECOMMENDED PCB HOLE PATTERN
COMPONENT SIDE
A = P.C. HOLES FOR SHIELD**



TOP JACK SCHEMATIC



BOTTOM JACK SCHEMATIC



PERFORMANCE SPECIFICATIONS:

INSERTION/EXTRACTION FORCES: INITIAL 0.8 TO 6 POUNDS.
 DIELECTRIC WITHSTANDING VOLTAGE: 500 VAC
 INSULATION RESISTANCE: INITIAL 100 MEGOHMS MINIMUM
 CONTACT RESISTANCE PLUG TO JACK: 50 MILLIOHMS MAXIMUM
 CONTACT RESISTANCE SHUNTS TO SPRINGS: 30 MILLIOHMS MAXIMUM
 MECHANICAL LIFE: 5000 CYCLES MINIMUM

MATERIALS:

SPRINGS AND TERMINALS: SILVER PLATED COPPER ALLOY
 HOUSING: LCP
 SHIELD: COPPER ALLOY, TIN PLATED

NOTES:

1. THIS PRODUCT IS RoHS COMPLIANT.
2. ALL DIMENSIONS REFERENCE ONLY.

CUSTOMER DRAWING

REV	ECO NUMBER	DATE	BY	APVD
P	27662 REDRAWN	3-8-16	TO	TJK
REVISIONS				

UNLESS OTHERWISE SPECIFIED

1. ALL DIMENSIONS IN INCHES
 - TWO PLACE DECIMALS ±0.02
 - THREE PLACE DECIMALS ±0.005

DO NOT SCALE DRAWING

THIS DRAWING DESCRIBES A DESIGN CONSIDERED PROPRIETARY IN NATURE, DEVELOPED AND MANUFACTURED BY SWITCHCRAFT INC. AND IS RELEASED ON A CONFIDENTIAL BASIS FOR IDENTIFICATION PURPOSES ONLY.									
SIZE	WIDTH	MULT	LBS/M	TEMPER					
FINISH					MATERIAL				
SPEC No.					SPEC No.				
FIRST USED ON					SCALE 2:1				
DATE DRAWN	BY	CHKD	APVD						
9-8-93	SG	EBR	IAC						
			9-14-93	9-14-93					
NAME					PART No.				
3.5 MM DUAL JACK, RoHS					35RAPC7JS				
					REV P				

X-ON Electronics

Largest Supplier of Electrical and Electronic Components

Click to view similar products for [Phone Connectors](#) category:

Click to view products by [Switchcraft](#) manufacturer:

Other Similar products are found below :

[M444B](#) [6J1041A](#) [R4F](#) [E12BPKG](#) [ECP4PKG](#) [161-3502L-E](#) [MT333X](#) [171-0350-EX](#) [171-101A-EX](#) [171-3325-EX](#) [176S](#) [NC3MG-V](#)
[NS112BX](#) [NYS228G](#) [P10834](#) [P2380](#) [P2381X](#) [P2411X](#) [P2412](#) [P2724](#) [JM2PB-AU BULK](#) [9144](#) [S2674](#) [280L](#) [163-158N-2-E](#) [171-3308-EX](#)
[171-3500-E](#) [2501FT](#) [CMT335](#) [M10662](#) [330Q](#) [RJ5VI-S](#) [40116](#) [TM1R-AU](#) [TM2PBMJ-AU](#) [TM2PJ-AU](#) [TM2PJ-AU BULK](#) [4803.1351](#)
[49201](#) [49205](#) [TS3PBJ-AU](#) [TS3PBMJ-AU](#) [TT32BX](#) [54B](#) [40112](#) [40205](#) [415](#) [XMT332B](#) [52170017-331](#) [570](#)