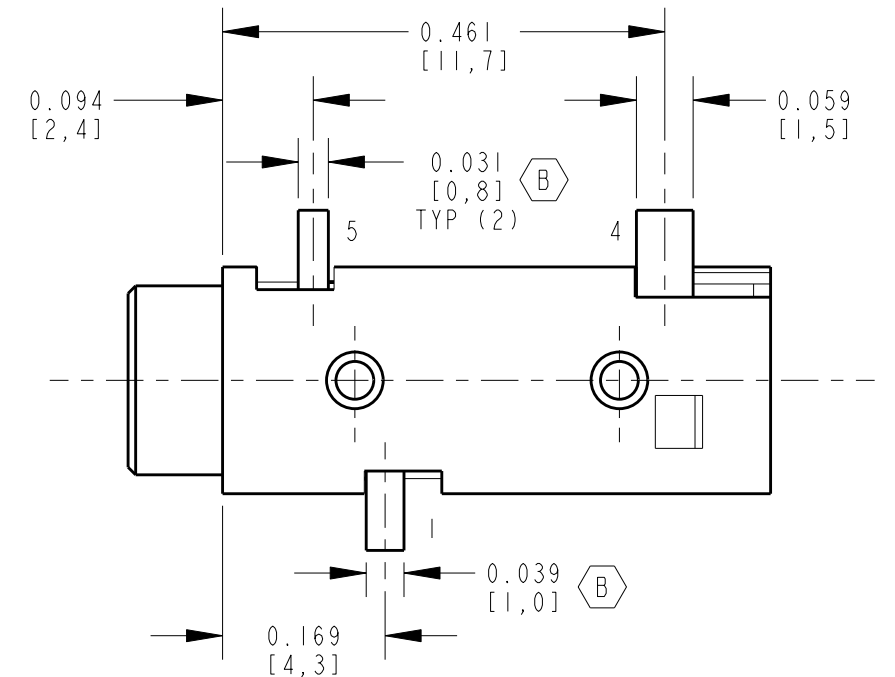
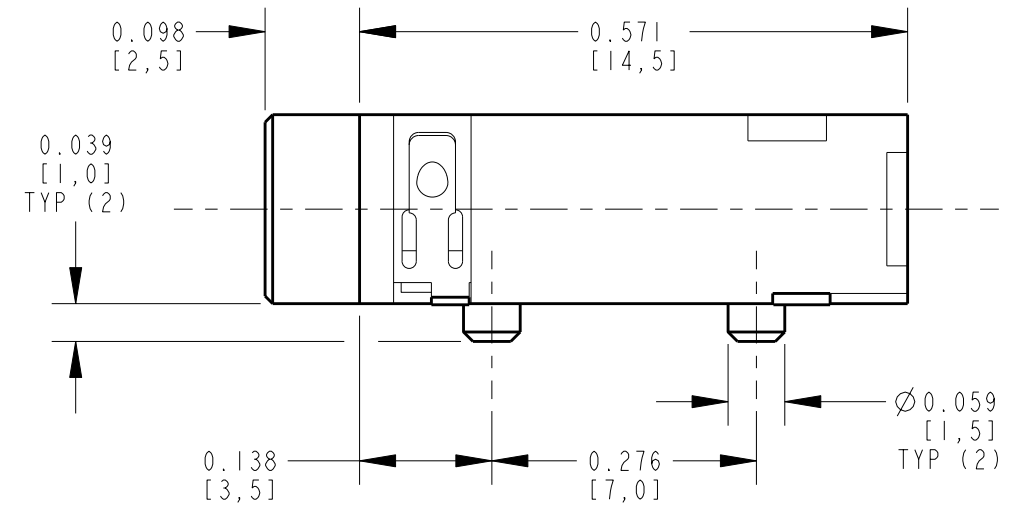
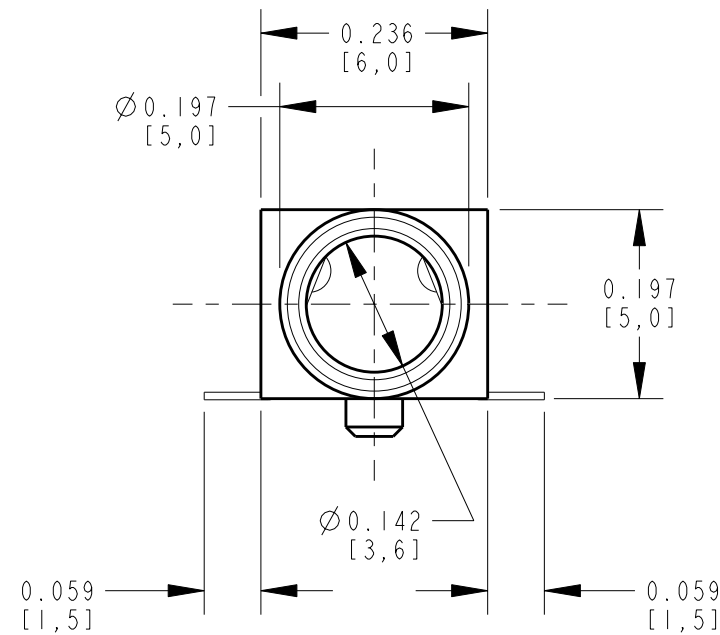
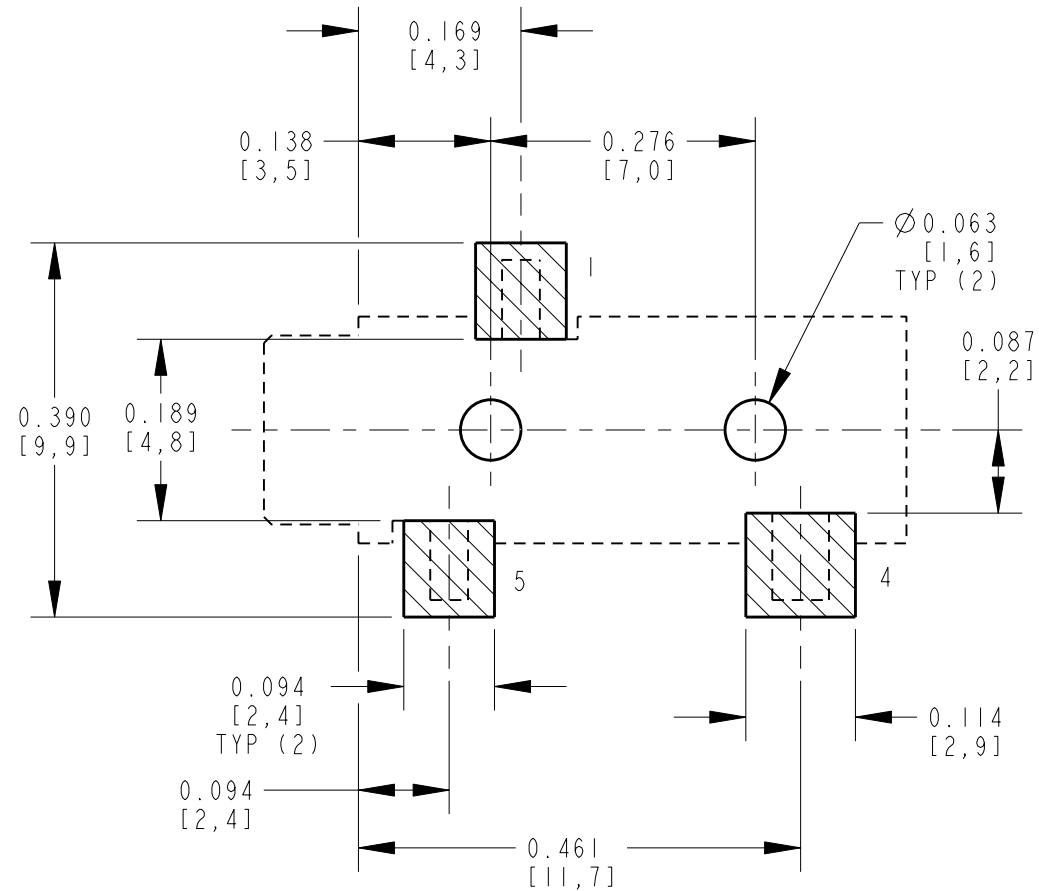
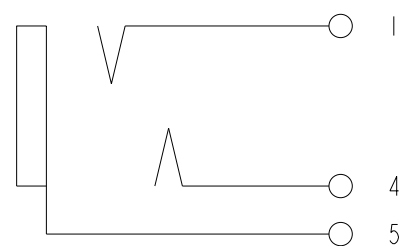


NOTES:

1. ALL DIMENSIONS ARE REFERENCE.
2. MATERIALS:
HOUSING: THERMOPLASTIC, BLACK
TERMINALS: COPPER ALLOY, GOLD PLATED (B)
3. SUPPLIED ON TAPE AND REEL, SEE SHEET 2.
4. THIS PRODUCT IS RoHS COMPLIANT.



CUSTOMER DRAWING



REV	ECO NUMBER	DATE	BY	APVD
D	27337	7-30-14	TO	TJK
C	26972	6-20-12	TO	TJK
B	26514	3-25-10	RS	TJK
A	25182	1-13-06	JL	GG

★ STAR SYMBOL DENOTES CRITICAL DIMENSION

UNLESS OTHERWISE SPECIFIED

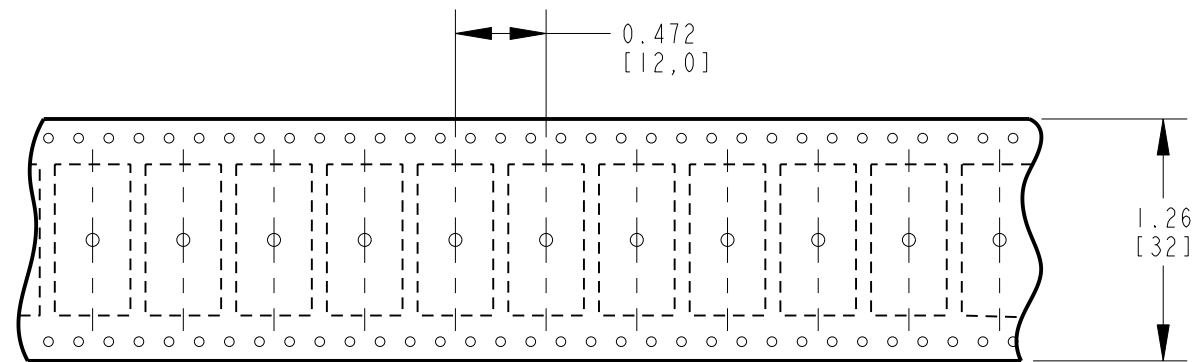
1. ALL DIMENSIONS IN INCHES
- TWO PLACE DECIMALS ±0.01
- THREE PLACE DECIMALS ±0.005
- ANGLES ±1°
- ALL DIA. CONCENTRIC WITHIN 0.005 T.I.R.
2. FEATURES ON THE SAME CENTERLINE MUST BE ALIGNED WITHIN ±0.002
3. REMOVE ALL BURRS

DO NOT SCALE DRAWING

THIS DRAWING DESCRIBES A DESIGN CONSIDERED PROPRIETARY IN NATURE, DEVELOPED AND MANUFACTURED BY SWITCHCRAFT INC. AND IS RELEASED ON A CONFIDENTIAL BASIS FOR IDENTIFICATION PURPOSES ONLY.				
SIZE	WIDTH	MULT	LBS/M	TEMPER
FINISH		MATERIAL		
SPEC No.		SPEC No.		
FIRST USED ON		SCALE		
		NONE		
DATE DRAWN	BY	CHKD	APVD	Switchcraft [®]
13-Jan-06	JL	GG 1-13-06	GG 1-13-06	
NAME			PART No.	REV
3.5MM PHONE JACK SURFACE MOUNT, RoHS			35RASMT2BHNTX	D
SHEET 1 OF 2				

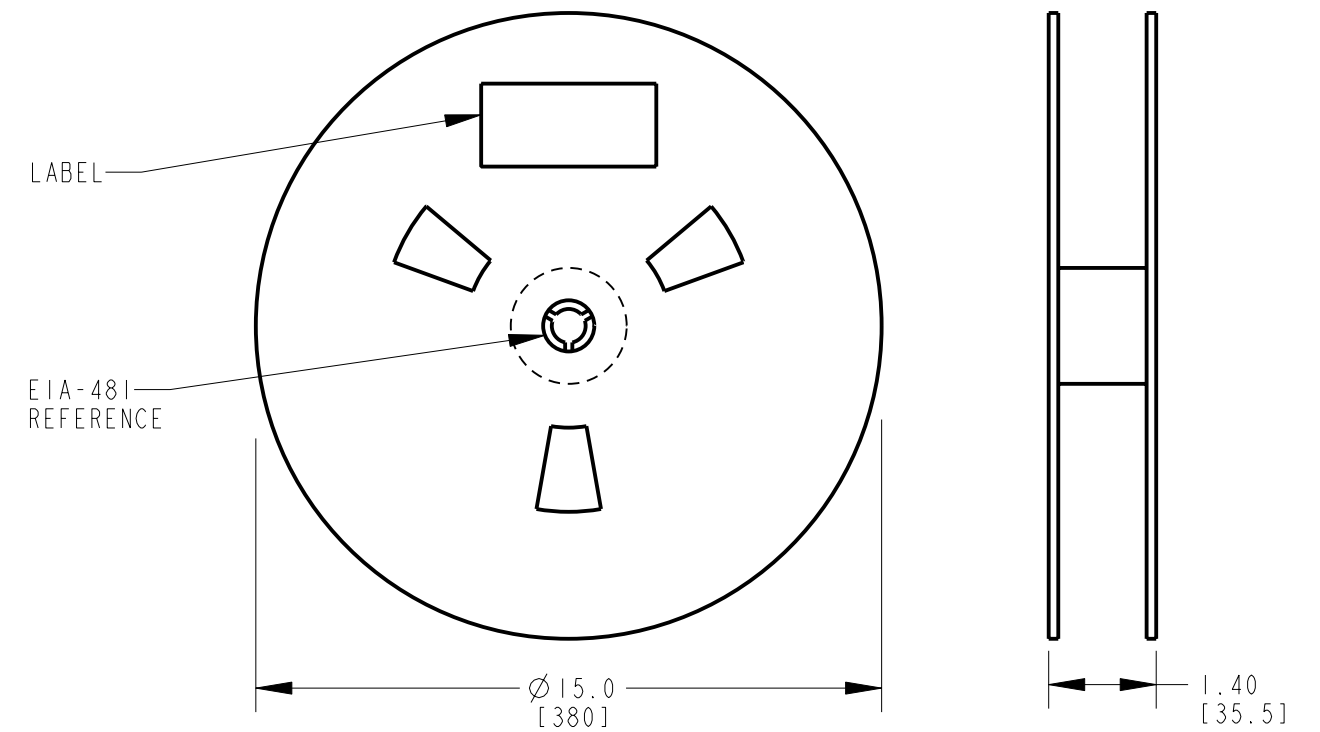
A: CARRIER SIZE

1. DETAIL SIZES REFERENCE: EIA-481
2. SPECIFICATION: 32 MM X 12 MM
3. COVER TAPE: SPECIFICATION ATTACHED (CONDUCTIVE)



B: REEL SIZE

1. QUANTITY: 1000 PCS/REEL BCD
2. MATERIAL: THERMOPLASTIC



CUSTOMER DRAWING

SCALE NONE	Switchcraft [®]	
DATE DRAWN 13-Jan-06		
DRAWN BY JL	PART No. 35RASMT2BHNTRX	REV D

X-ON Electronics

Largest Supplier of Electrical and Electronic Components

Click to view similar products for [Phone Connectors](#) category:

Click to view products by [Switchcraft](#) manufacturer:

Other Similar products are found below :

[M444B](#) [6J1041A](#) [R4F](#) [E12BPKG](#) [ECP4PKG](#) [161-3502L-E](#) [MT333X](#) [171-0350-EX](#) [171-101A-EX](#) [171-3325-EX](#) [176S](#) [NC3MG-V](#)
[NS112BX](#) [NYS228G](#) [P10834](#) [P2380](#) [P2381X](#) [P2411X](#) [P2412](#) [P2724](#) [JM2PB-AU BULK](#) [9144](#) [S2674](#) [280L](#) [163-158N-2-E](#) [171-3308-EX](#)
[171-3500-E](#) [2501FT](#) [CMT335](#) [M10662](#) [330Q](#) [RJ5VI-S](#) [40116](#) [TM1R-AU](#) [TM2PBMJ-AU](#) [TM2PJ-AU](#) [TM2PJ-AU BULK](#) [4803.1351](#)
[49201](#) [49205](#) [TS3PBJ-AU](#) [TS3PBMJ-AU](#) [TT32BX](#) [54B](#) [40112](#) [40205](#) [415](#) [XMT332B](#) [52170017-331](#) [570](#)