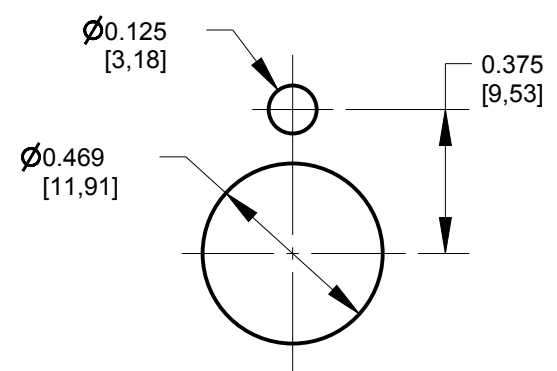
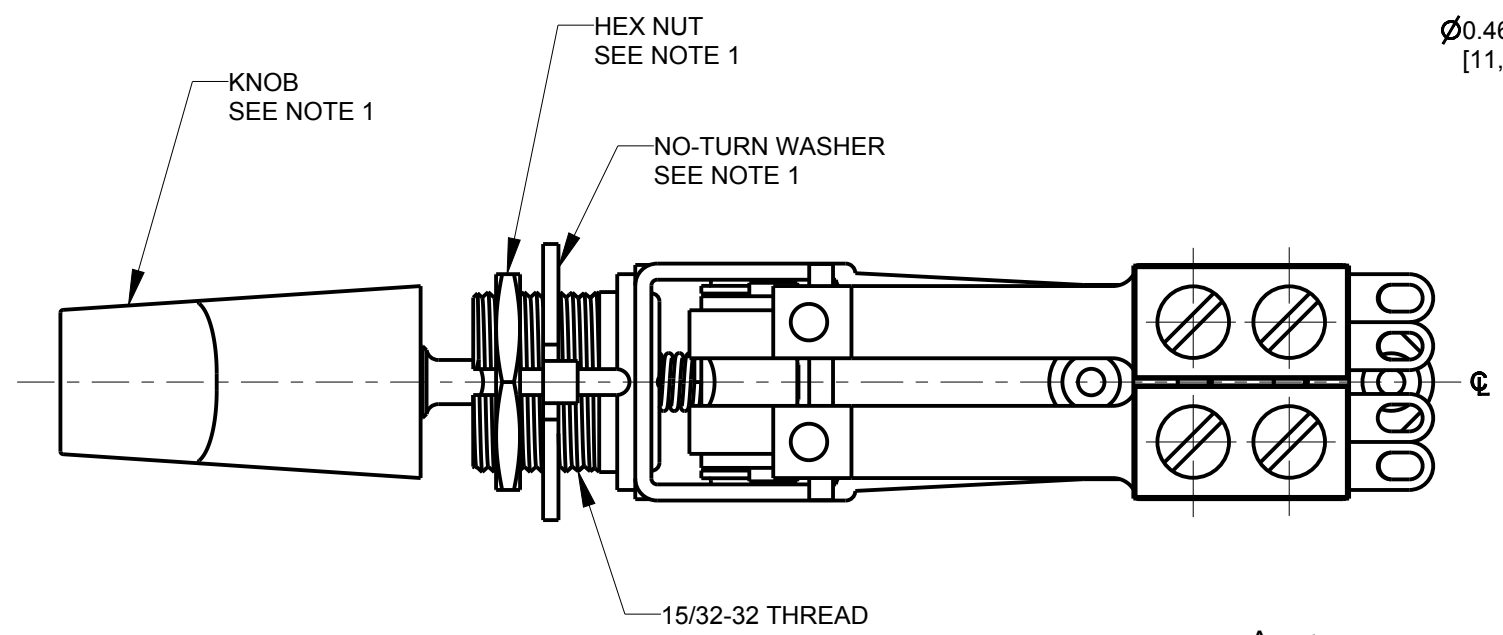
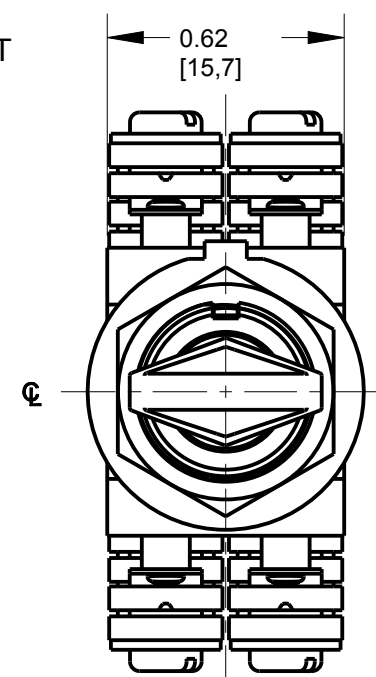
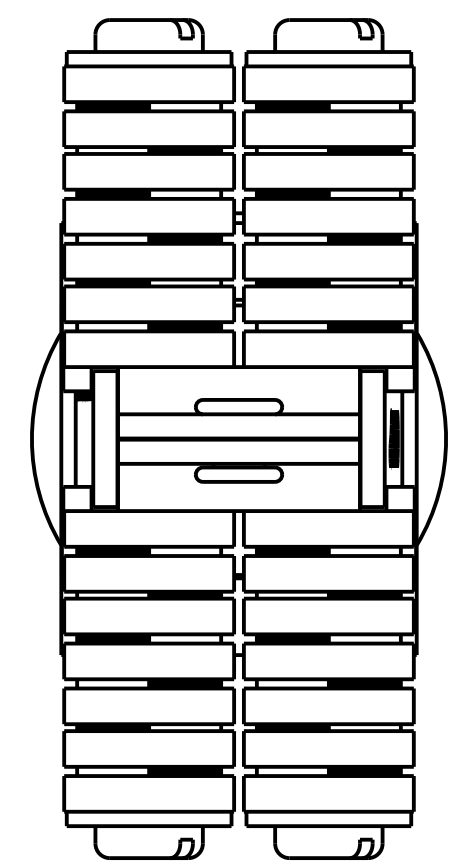
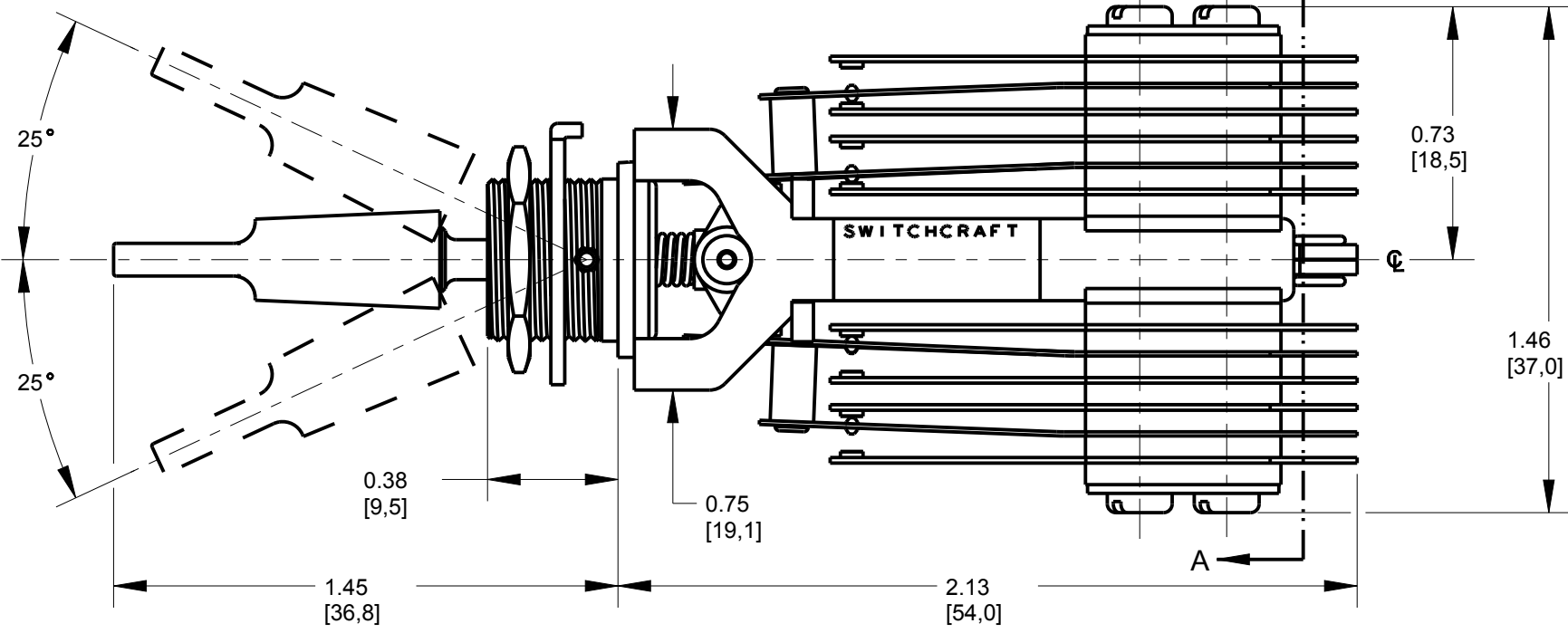


SCHMATIC CIRCUIT
TYP (2)



RECOMMENDED PANEL CUT-OUT
FOR USE WITH NO-TURN WASHER



SECTION A-A
TERMINAL POSITIONS
SCALE 3:1

CUSTOMER DRAWING

NOTES:
1. KNOB AND HARDWARE SHIPPED UNASSEMBLED.

2. MAX PANEL THICKNESS: 0.25 [6.4]

3. MATERIALS:
FRAME - CRS, ZINC PLATED
BUSHING & ACTUATOR - COPPER ALLOY, NICKEL PLATED
SPRINGS - SPECIAL COPPER ALLOY
TERMINALS - TINNED DIPPED SOLDER LUGS
INSULATORS - PHENOLIC
LIFTERS & ROLLERS - THERMOPLASTIC
SCREWS - CRS, NICKEL PLATED
HEX NUT - COPPER ALLOY, NICKEL PLATED
WASHER - CRS, NICKEL PLATED
KNOB - THERMOPLASTIC, BLACK

4. THIS PRODUCT IS RoHS COMPLIANT

REV	ECO NUMBER	DATE	BY	APVD
A	27887	05-12-17	PC	TJK
REVISIONS				

★ STAR SYMBOL DENOTES CRITICAL DIMENSION

UNLESS OTHERWISE SPECIFIED

1. ALL DIMENSIONS IN INCHES
-TWO PLACE DECIMALS ±0.01
-THREE PLACE DECIMALS ±0.005
-ANGLES ±1°
-ALL DIA. CONCENTRIC WITHIN 0.005 T.I.R.

2. FEATURES ON THE SAME CENTERLINE
MUST BE ALIGNED WITHIN ±0.002

3. REMOVE ALL BURRS

DO NOT SCALE DRAWING

THIS DRAWING DESCRIBES A DESIGN CONSIDERED PROPRIETARY IN NATURE, DEVELOPED AND MANUFACTURED BY SWITCHCRAFT INC. AND IS RELEASED ON A CONFIDENTIAL BASIS FOR IDENTIFICATION PURPOSES ONLY.				
SIZE	WIDTH	MULT	LBS/M	TEMPER
FINISH		MATERIAL		
SPEC No.		SPEC No.		
FIRST USED ON		SCALE		
		2:1		
DATE DRAWN	BY	CHKD	APVD	
May-15-19	PC	PC	TJK	
		05-15-19	05-15-19	
NAME				PART No.
LT SERIES LEVER SWITCH				41324X
3 POSITION NON-LOCK, RoHS				REV
				A

X-ON Electronics

Largest Supplier of Electrical and Electronic Components

Click to view similar products for [Toggle Switches](#) category:

Click to view products by [SWITCHCRAFT](#) manufacturer:

Other Similar products are found below :

[8928K478](#) [020017-13](#) [60012L](#) [6006L](#) [CS115W](#) [CS120W](#) [6663](#) [7101SPDV30BE](#) [7103SDV30BE](#) [7105D](#) [7108P3YAV2BE](#) [71YY50282](#)
[7300K36](#) [7301K38](#) [7306K36](#) [7310K36](#) [7506K4](#) [7592K6](#) [7660K12](#) [7691K14](#) [7700K1](#) [8391K108](#) [8396K108](#) [8811K17](#) [8824K14](#) [8828K13](#)
[8835K3](#) [8858K44](#) [PS83-121G](#) [1-1825192-0](#) [A201SCWZB04](#) [A207SYCB04](#) [A208J61ZQ0004](#) [A221T1TCQ](#) [A323S1CWZQ](#)
[A423S1CWZG-M8](#) [1201W](#) [12156AX408](#) [12147AGKX679](#) [12246X778](#) [12TW49-3D](#) [130312](#) [13037L](#) [13001X](#) [AE101MD1W4B04](#)
[AE208SD1W4B04](#) [MS24659-22D](#) [MS27407-5](#) [1520230-9](#) [1520231-1](#)