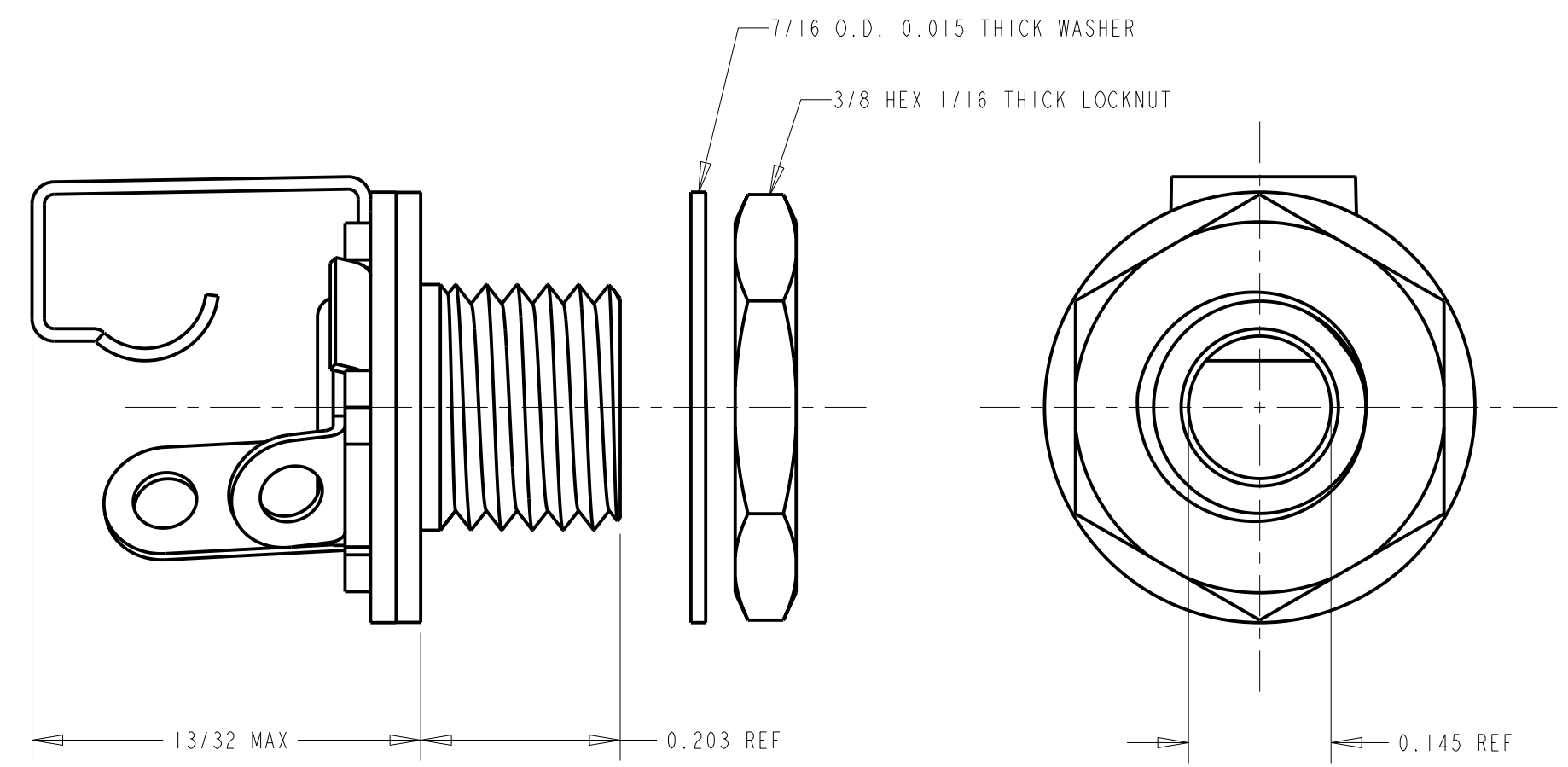
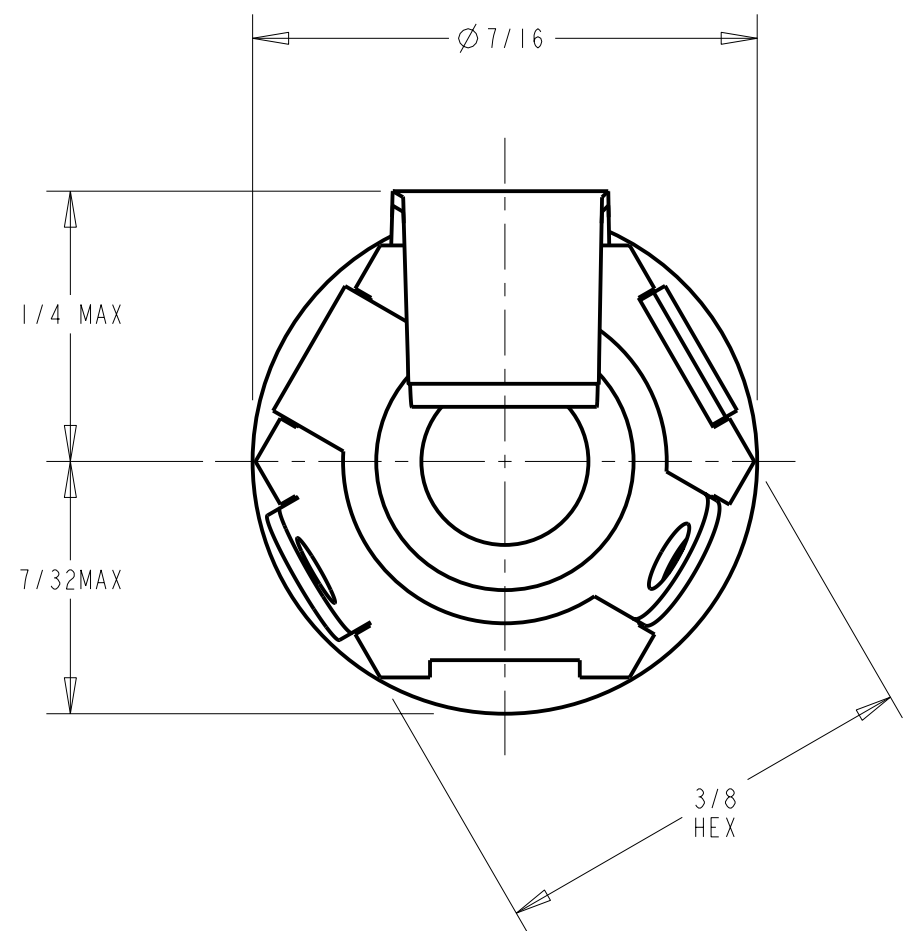
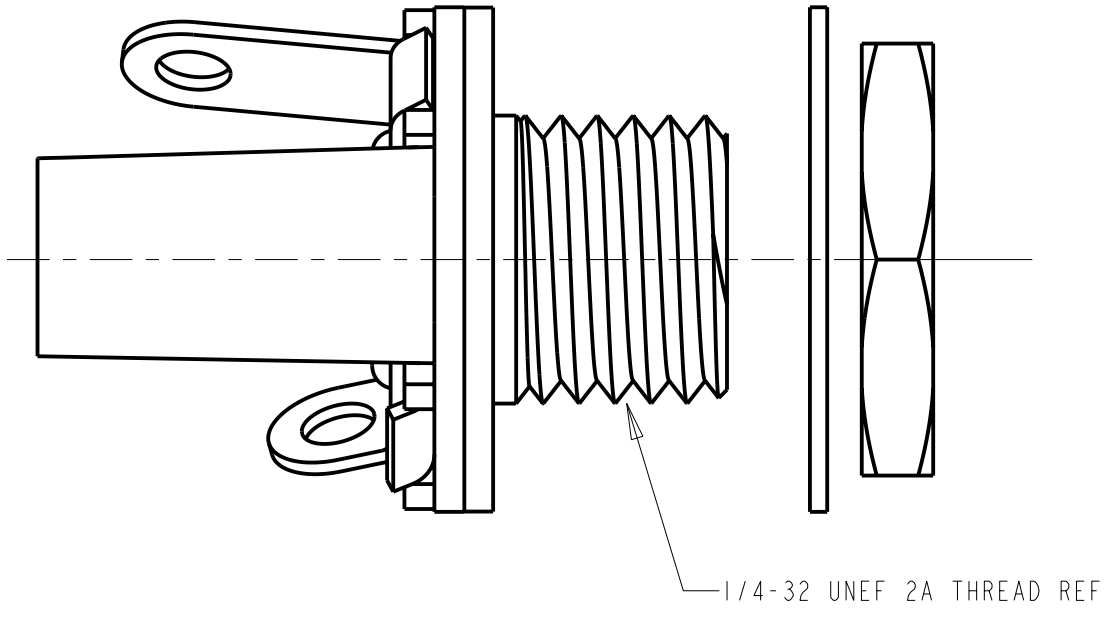
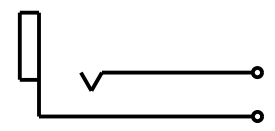


SCALE 4:1



SPECIFICATIONS:

- BUSHING - BRASS, NICKEL PLATED
- SPRING - NICKEL SILVER, SPRING TEMPERED
- SPACERS - PAPER BASE BAKELITE
- SLEEVE TERMINAL - BRASS, HOT TINNED
- WASHER - STEEL, NICKEL PLATED
- LOCKNUT - BRASS, NICKEL PLATED



SCHEMATIC CIRCUIT

CUSTOMER DRAWING

				★ STAR SYMBOL DENOTES CRITICAL DIMENSION		THIS DRAWING DESCRIBES A DESIGN CONSIDERED PROPRIETARY IN NATURE, DEVELOPED AND MANUFACTURED BY SWITCHCRAFT INC. AND IS RELEASED ON A CONFIDENTIAL BASIS FOR IDENTIFICATION PURPOSES ONLY.						
				UNLESS OTHERWISE SPECIFIED		SIZE	WIDTH	MULT	LBS/M	TEMPER		
				1. ALL DIMENSIONS IN INCHES		FINISH				MATERIAL		
				- TWO PLACE DECIMALS ±0.01		SPEC No.				SPEC No.		
				- THREE PLACE DECIMALS ±0.005		FIRST USED ON				SCALE		
				- FRACTIONAL DIMENSIONS ±1/64		4-14-64				4:1		
				- ANGLES ±1°		DATE DRAWN	BY	CHKD	APVD	Switchcraft®		
				- ALL DIA. CONCENTRIC WITHIN 0.005 T.I.R.		4-14-64	TRT	CJD	LG			
				2. FEATURES ON THE SAME CENTERLINE MUST BE ALIGNED WITHIN ±0.002		NAME	TINI-JAX 2 COND.				PART No.	REV
				3. REMOVE ALL BURRS						41		C
				DO NOT SCALE DRAWING								
				REVISIONS								
C	REDRAWN WAS REV. B	7-15-97	MM	JF								
	ECO #20875											

X-ON Electronics

Largest Supplier of Electrical and Electronic Components

Click to view similar products for [Phone Connectors](#) category:

Click to view products by [Switchcraft](#) manufacturer:

Other Similar products are found below :

[M444B](#) [6J1041A](#) [R4F](#) [E12BPKG](#) [ECP4PKG](#) [161-3502L-E](#) [MT333X](#) [171-0350-EX](#) [171-101A-EX](#) [171-3325-EX](#) [176S](#) [NC3MG-V](#)
[NS112BX](#) [NYS228G](#) [P10834](#) [P2380](#) [P2381X](#) [P2411X](#) [P2412](#) [P2724](#) [JM2PB-AU BULK](#) [9144](#) [S2674](#) [280L](#) [163-158N-2-E](#) [171-3308-EX](#)
[171-3500-E](#) [2501FT](#) [CMT335](#) [M10662](#) [330Q](#) [RJ5VI-S](#) [40116](#) [TM1R-AU](#) [TM2PBMJ-AU](#) [TM2PJ-AU](#) [TM2PJ-AU BULK](#) [4803.1351](#)
[49201](#) [49205](#) [TS3PBJ-AU](#) [TS3PBMJ-AU](#) [TT32BX](#) [54B](#) [C55BX](#) [40112](#) [40205](#) [415](#) [XMT332B](#) [52170017-331](#)