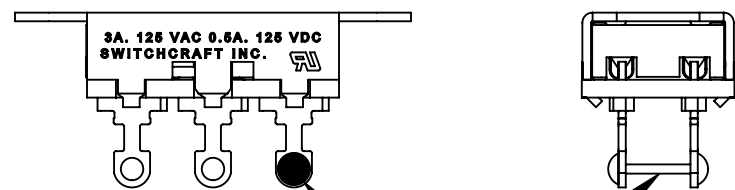


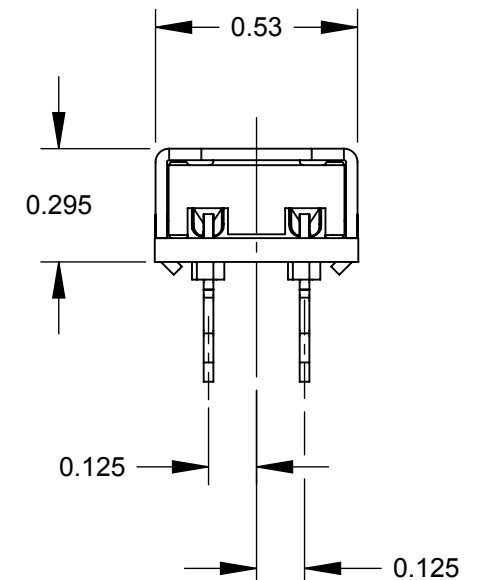
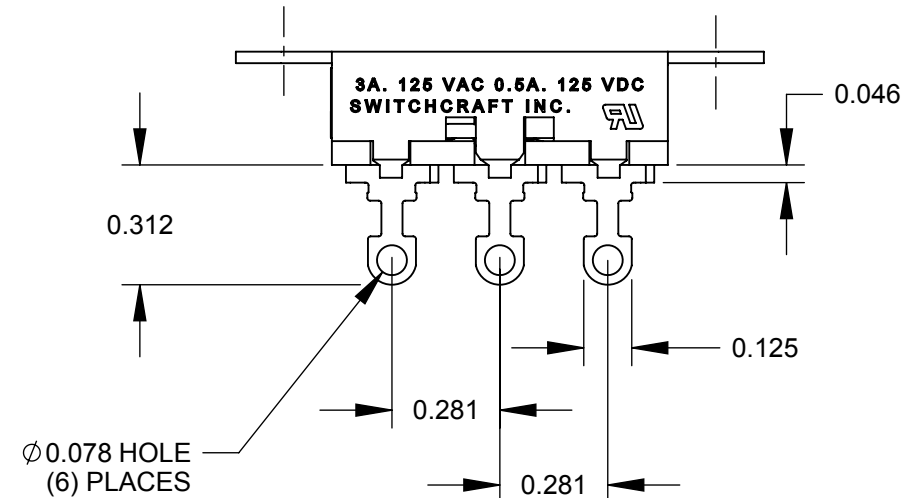
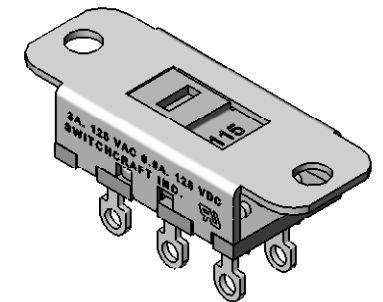
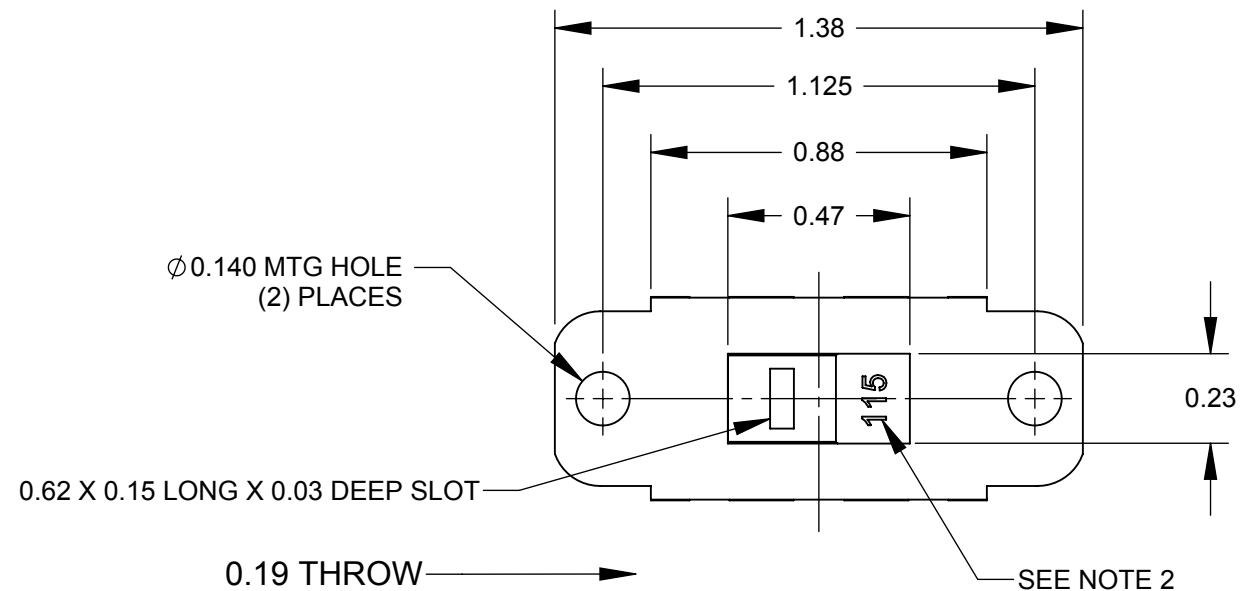
SCHEMATIC
DOUBLE POLE DOUBLE THROW

46206LFRX

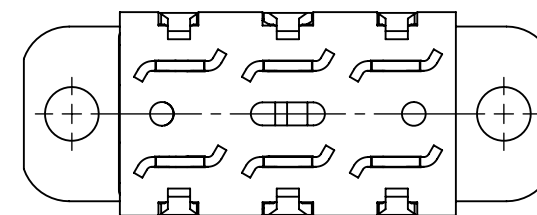


SCHEMATIC
DOUBLE POLE DOUBLE THROW
WITH JUMPER

46256LFRX



**46206LFRX
SHOWN**



CUSTOMER DRAWING

NOTES:

1. ALL DIMENSIONS REFERENCE UNLESS OTHERWISE SPECIFIED.
2. NUMBERS HOT STAMPED IN WHITE. 230 VISIBLE IN OTHER DIRECTION
3. MATERIALS:
HOUSING - STEEL, ZINC PLATED
BUTTON - THERMOPLASTIC, BLACK
TERMINALS & CONTACT SLIDER - BRASS, SILVER PLATED
TERMINAL BOARD - PHENOLIC
4. SWITCH RATING:
3 AMP, 125 V.A.C., 0.5 AMP, 125 V.D.C.
5. THIS PRODUCT IS RoHS COMPLIANT.

					THIS DRAWING DESCRIBES A DESIGN CONSIDERED PROPRIETARY IN NATURE, DEVELOPED AND MANUFACTURED BY SWITCHCRAFT INC. AND IS RELEASED ON A CONFIDENTIAL BASIS FOR IDENTIFICATION PURPOSES ONLY.						
					UNLESS OTHERWISE SPECIFIED	SIZE	WIDTH	MULT	LBS/M	TEMPER	
					1. ALL DIMENSIONS IN INCHES	FINISH			MATERIAL		
					- TWO PLACE DECIMALS ±0.02	SPEC No.			SPEC No.		
					- THREE PLACE DECIMALS ±0.005	FIRST USED ON		SCALE 2:1			
						DATE DRAWN	BY	CHKD	APVD		
						2/19/09	RS	RS	TJK		
								2/19/09		5/18/09	
						NAME 115 - 230 POWER SELECTION SLIDE SWITCH, RoHS				PART No.	REV
										46200LFRX SERIES	A
A					26008	8/5/06	RS	TJK		SHEET 1 OF 1	
REV					ECO NUMBER	DATE	BY	APVD			
REVISIONS					DO NOT SCALE DRAWING						

SolidWorks CAD File **B**

X-ON Electronics

Largest Supplier of Electrical and Electronic Components

Click to view similar products for [Slide Switches](#) category:

Click to view products by [Switchcraft](#) manufacturer:

Other Similar products are found below :

[6-1437581-1](#) [M43R](#) [MHS123K15D](#) [MHS133K](#) [MHSS1104A](#) [MMD](#) [GH49S010001](#) [MSS12A](#) [EPS1PC1](#) [1825074-1](#) [1825160-3](#) [1825167-2](#)
[1825289-7](#) [25139NLDB](#) [25449NAH](#) [SLB1240R45](#) [1825078-1](#) [1825080-4](#) [1825269-1](#) [1825270-2](#) [STS141RA04](#) [T2215BEN506](#)
[GH46P000001](#) [GH46W000001](#) [GH49P010001](#) [25339NA](#) [M42A](#) [TG36P000000](#) [TG36P000050](#) [AYZ0202AG](#) [47227LFE](#) [49331L](#) [50208L](#)
[L203091MS02Q](#) [4-1437581-7](#) [X2225CR-437W](#) [49329L](#) [1101M1S3ZB8E2](#) [1-1437581-1](#) [MSS2225G04](#) [TG39W000000](#) [1825075-1](#)
[MSS42G](#) [TG36WS80065](#) [T105S1CWZBE](#) [SLB124145](#) [SLB1280R5](#) [SLB1340R45](#) [25136NLDB](#) [TG39W000050](#)