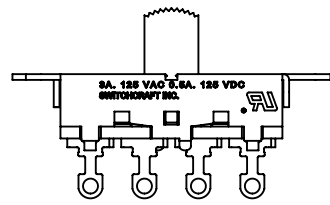


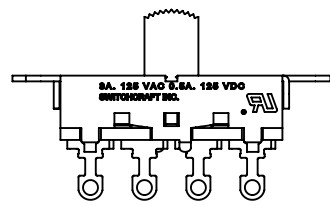
**46311LDRX**

SCHMATIC  
SINGLE POLE TRIPLE THROW



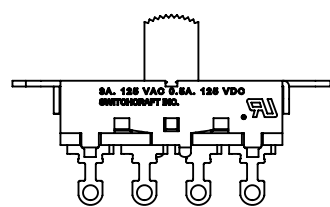
**46311LDSRX**

SCHMATIC  
SINGLE POLE TRIPLE THROW  
SHORTING CONTACT



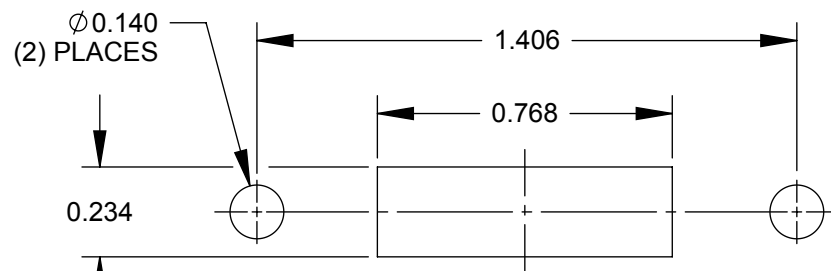
**46313LDRX**

SCHMATIC  
DOUBLE POLE TRIPLE THROW



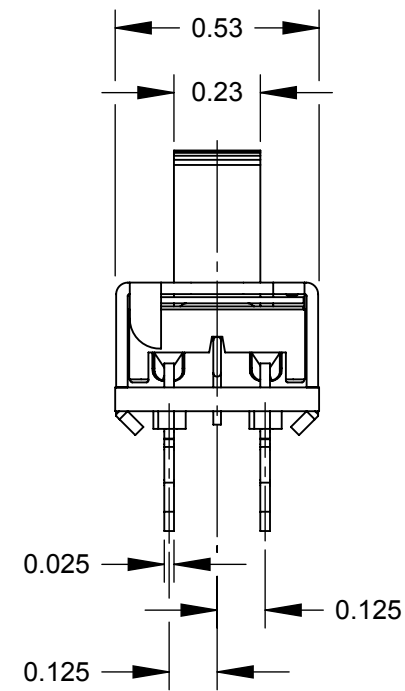
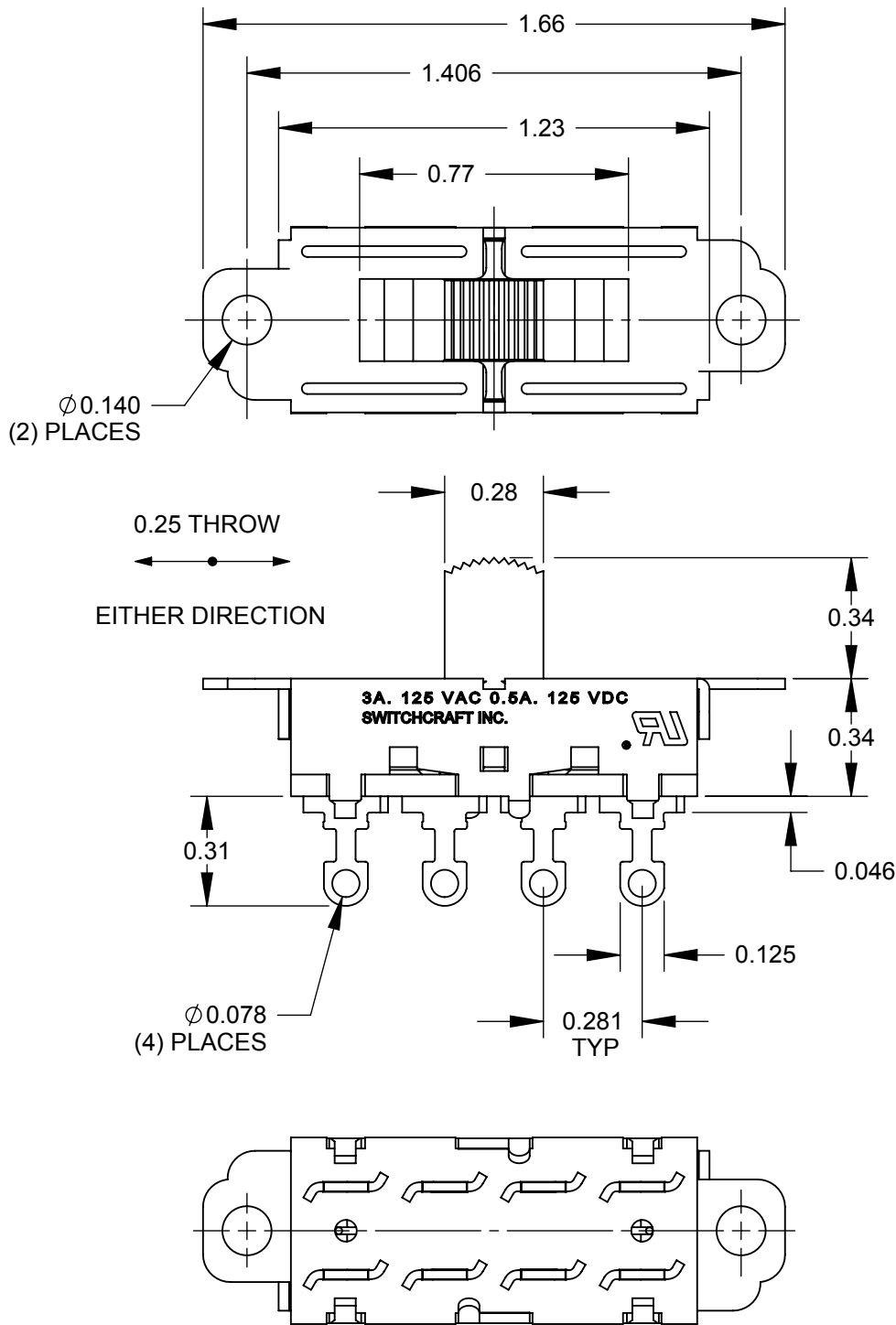
**46313LDSRX**

SCHMATIC  
DOUBLE POLE TRIPLE THROW  
SHORTING CONTACT

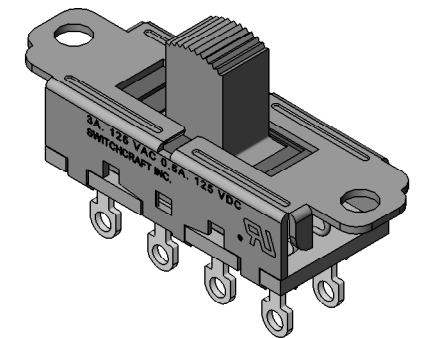


**RECOMMENDED PANEL CUT-OUT**

- NOTES:  
 1. ALL DIMENSIONS REFERENCE UNLESS OTHERWISE SPECIFIED.  
 2. MATERIALS:  
 HOUSING - CRS, ZINC PLATED  
 BUTTON - THERMOPLASTIC, BLACK  
 SHIMS - THERMOPLASTIC, DARK GRAY  
 DETENT WIRE - MUSIC WIRE  
 TERMINALS & CONTACT SLIDER - COPPER ALLOY, SILVER PLATED  
 TERMINAL BOARD - PHENOLIC  
 3. SWITCH RATING:  
 3 AMPS 125 VAC - 0.5 AMPS 125 VDC  
 4. THIS PRODUCT IS RoHS COMPLIANT.



**46313LDRX SHOWN**



**CUSTOMER DRAWING**

| REV       | ECO NUMBER | DATE    | BY | APVD |
|-----------|------------|---------|----|------|
| A         | 26002      | 3/23/06 | RS | TJK  |
| REVISIONS |            |         |    |      |

|                               |  |  |  |  |
|-------------------------------|--|--|--|--|
| UNLESS OTHERWISE SPECIFIED    |  |  |  |  |
| 1. ALL DIMENSIONS IN INCHES   |  |  |  |  |
| - TWO PLACE DECIMALS ±0.02    |  |  |  |  |
| - THREE PLACE DECIMALS ±0.005 |  |  |  |  |
| DO NOT SCALE DRAWING          |  |  |  |  |

|  |    |       |      |         |         |                                 |  |        |  |
|--|----|-------|------|---------|---------|---------------------------------|--|--------|--|
| THIS DRAWING DESCRIBES A DESIGN CONSIDERED PROPRIETARY IN NATURE, DEVELOPED AND MANUFACTURED BY SWITCHCRAFT INC. AND IS RELEASED ON A CONFIDENTIAL BASIS FOR IDENTIFICATION PURPOSES ONLY. |    |       |      |         |         |                                 |  |        |  |
| SIZE   |    | WIDTH |      | MULT    |         | LBS/M                           |  | TEMPER |  |
| FINISH   |    |       |      |         |         | MATERIAL                        |  |        |  |
| SPEC No.   |    |       |      |         |         | SPEC No.                        |  |        |  |
| FIRST USED ON  |    |       |      | SCALE   |         | <b>Switchcraft</b> <sup>®</sup> |  |        |  |
|  |    |       |      | 2:1     |         |                                 |  |        |  |
| DATE DRAWN   | BY | CHKD  | APVD |         |         |                                 |  |        |  |
| 9/14/09  | RS | RS    | TJK  |         |         |                                 |  |        |  |
|  |    |       |      | 9/14/09 | 3/10/11 | SHEET 1 OF 1                    |  |        |  |
| NAME SLIDE SWITCH 3 POSITION LOCKING, RoHS   |    |       |      |         |         | PART No.                        |  | REV    |  |
|  |    |       |      |         |         | 46300LDRX SERIES                |  | A      |  |

## X-ON Electronics

Largest Supplier of Electrical and Electronic Components

*Click to view similar products for [Slide Switches](#) category:*

*Click to view products by [Switchcraft](#) manufacturer:*

Other Similar products are found below :

[6-1437581-1](#) [M43R](#) [MHS123K15D](#) [MHS133K](#) [MHSS1104A](#) [MMD](#) [GH49S010001](#) [MSS12A](#) [EPS1PC1](#) [1825074-1](#) [1825160-3](#) [1825167-2](#)  
[1825289-7](#) [25139NLDB](#) [25449NAH](#) [SLB1240R45](#) [1825078-1](#) [1825080-4](#) [1825269-1](#) [1825270-2](#) [STS141RA04](#) [T2215BEN506](#)  
[GH46P000001](#) [GH46W000001](#) [GH49P010001](#) [25339NA](#) [M42A](#) [TG36P000000](#) [TG36P000050](#) [AYZ0202AG](#) [47227LFE](#) [49331L](#) [50208L](#)  
[L203091MS02Q](#) [4-1437581-7](#) [X2225CR-437W](#) [49329L](#) [1101M1S3ZB8E2](#) [1-1437581-1](#) [MSS2225G04](#) [TG39W000000](#) [1825075-1](#)  
[MSS42G](#) [TG36WS80065](#) [T105S1CWZBE](#) [SLB124145](#) [SLB1280R5](#) [SLB1340R45](#) [25136NLDB](#) [TG39W000050](#)