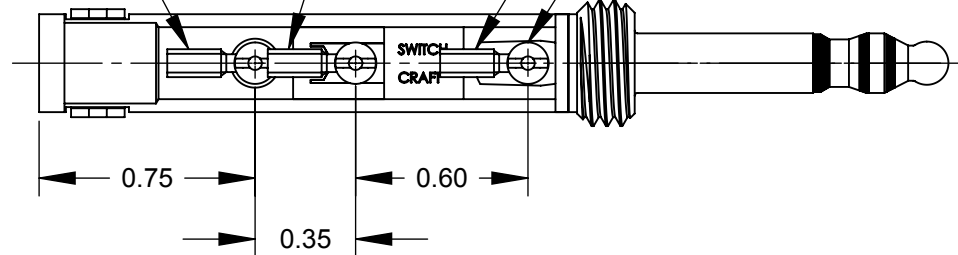
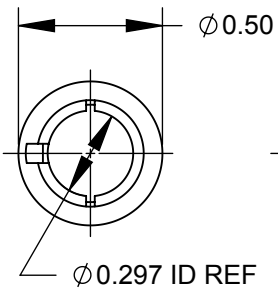
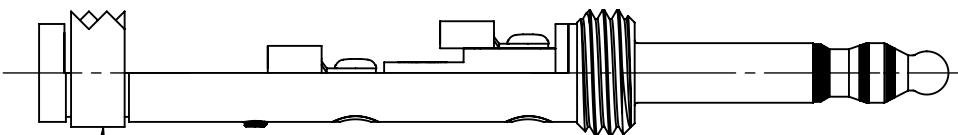


SLEEVE TERMINAL SEE NOTE 1
 RING TERMINAL SEE NOTE 1
 TIP TERMINAL SEE NOTE 1
 SCREWS (3) SEE NOTE 1

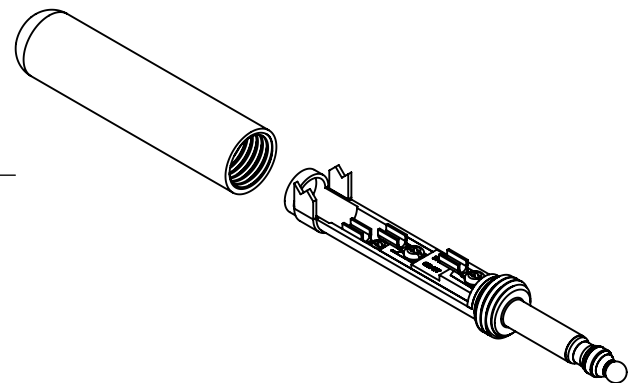


U CLAMP SEE NOTE 1



HANDLE SEE NOTE 2

Ø0.207 REF



NOTES

1. TERMINALS, SCREWS & U CLAMP ARE SHIPPED UNASSEMBLED AS K171X HARDWARE KIT.
2. HANDLE IS SHIPPED UNASSEMBLED.
3. MATERIALS:
 PLUG - BRASS
 U CLAMP - STEEL, TIN PLATED
 TERMINALS - BRASS, TIN PLATED
 SCREWS - BRASS
 HANDLE & INSULATION - THERMOPLASTIC
4. THIS PRODUCT IS RoHS COMPLIANT.

CUSTOMER DRAWING

REV	ECO NUMBER	DATE	BY	APVD
A	26369	3-30-09	JEB	TJK
REVISIONS				

UNLESS OTHERWISE SPECIFIED

1. ALL DIMENSIONS IN INCHES
- TWO PLACE DECIMALS ±0.02
- THREE PLACE DECIMALS ±0.005

DO NOT SCALE DRAWING

SolidWorks CAD File

THIS DRAWING DESCRIBES A DESIGN CONSIDERED PROPRIETARY IN NATURE, DEVELOPED AND MANUFACTURED BY SWITCHCRAFT INC. AND IS RELEASED ON A CONFIDENTIAL BASIS FOR IDENTIFICATION PURPOSES ONLY.

SIZE *	WIDTH *	MULT *	LBS/M *	TEMPER *
FINISH *			MATERIAL *	
SPEC No. *			SPEC No. *	
FIRST USED ON *		SCALE 1.5:1		
DATE DRAWN	BY	CHKD	APVD	
3-19-09	SRC	SRC	TJK	
		3-19-09	05-22-09	
NAME			PART No.	REV
PLUG ASSEMBLY, RoHS			480X	A
			SHEET 1 OF 1	

Switchcraft®



X-ON Electronics

Largest Supplier of Electrical and Electronic Components

Click to view similar products for [Phone Connectors](#) category:

Click to view products by [Switchcraft](#) manufacturer:

Other Similar products are found below :

[M444B](#) [R4F](#) [E12BPKG](#) [ECP4PKG](#) [163-157J-E](#) [MT333X](#) [171-0350-EX](#) [171-3302-EX](#) [176S](#) [NC3MG-V](#) [NS112BX](#) [NYS228G](#) [P10834](#)
[P2380](#) [P2381X](#) [P2411X](#) [P2412](#) [JM2PB-AU BULK](#) [S2674](#) [280L](#) [163-156N-2-E](#) [163-158N-2-E](#) [2501FT](#) [M10662](#) [RJ5VI-S](#) [TM1R-AU](#)
[TM2PBMJ-AU](#) [TM2PJ-AU](#) [TM2PJ-AU BULK](#) [4803.1351](#) [49205](#) [TS3PBJ-AU](#) [TS3PBMJ-AU](#) [TT32BX](#) [54B](#) [C55BX](#) [40112](#) [40205](#) [415](#)
[LRC20M1DE5](#) [52170017-331](#) [NM3](#) [T10711](#) [TS3PBJ-AU BULK](#) [MT334F](#) [NJ3FP6F-P](#) [NPX-PROMO](#) [P10725](#) [CMT336B](#) [NYS207-2](#)