

CUSTOMER PRINT

PART NUMBER: 61XPBMB FAM

- NOTES:**  
 1. FINISHED PRODUCT TO BE PACKAGED 100 PIECES PER PARTITIONED BOX.  
 2. CONNECTOR ASSEMBLY SEALED WITH EPOXY AT PC TAIL END.

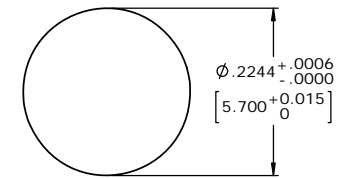
**CUSTOMER APPROVAL**

THIS DOCUMENT CONTAINS CONFIDENTIAL INFORMATION PROPRIETARY TO CONXALL CORPORATION. ANY REPRODUCTION, DISCLOSURE, OR USE OF THIS DOCUMENT /INFORMATION IS EXPRESSLY PROHIBITED UNLESS AUTHORIZED IN WRITING BY CONXALL CORPORATION.

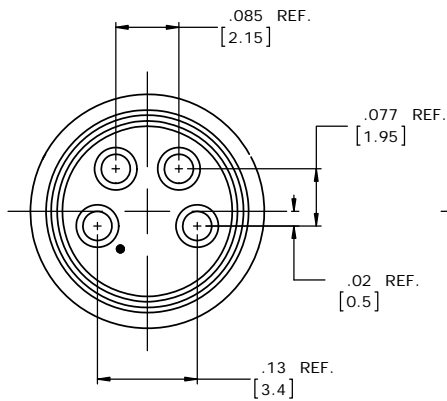
APPROVED BY: \_\_\_\_\_

DATE: \_\_\_\_\_

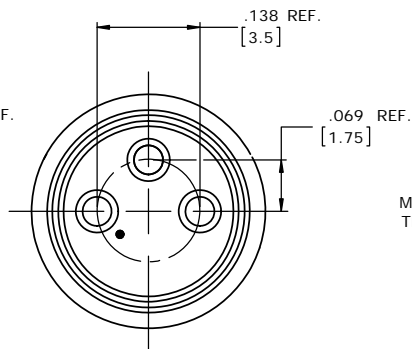
CXA PART NO.	NO. OF POS.
613PCBM	3
614PCBM	4



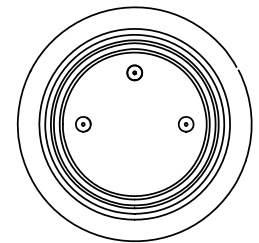
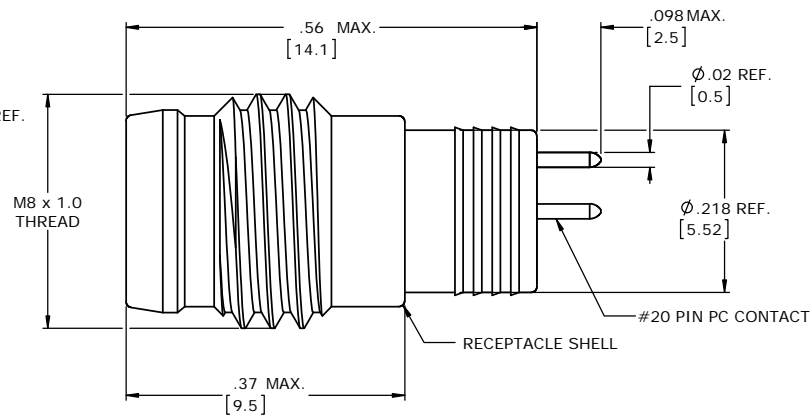
**PANEL CUT-OUT**



**MATING FACE**  
4 POSITIONS



**MATING FACE**  
3 POSITIONS



**P.C. TAIL END**

DIMENSIONS INCHES [MM]

**PROPRIETARY**

THIS DOCUMENT CONTAINS CONFIDENTIAL INFORMATION PROPRIETARY TO CONXALL CORPORATION. ANY REPRODUCTION, DISCLOSURE, OR USE OF THIS DOCUMENT /INFORMATION IS EXPRESSLY PROHIBITED UNLESS AUTHORIZED IN WRITING BY CONXALL CORPORATION.

**RoHS COMPLIANT**

B	AB	08-09-16	UPDATED MANUFACTURING NOTES PER ECR 9070.
A	AB	03-16-16	DRAWING CREATED PER RTM & DOR 10-2500J5-2
REV.	INIT.	DATE	DESCRIPTION
ORIG. DRAWN BY:		DATE:	
CLY		07-01-12	
CHECKED BY:			
APPROVED BY:			
ALL INFORMATION ILLUSTRATED IS THE PROPERTY OF CONXALL CORPORATION. UNAUTHORIZED REPRODUCTION OR DISTRIBUTION OF THIS DOCUMENT IS PROHIBITED.		 601 E. WILDWOOD VILLA PARK, IL 60181	
ALL UNITS ARE IN FEET AND DECIMALS.			
UNLESS OTHERWISE SPECIFIED TOLERANCES		TITLE: MALE RECEPTACLE, M8 THREAD STYLE BM (LONG)	
3 PLACE DECIMALS x .005		NANO-MIZER	
FRACTIONS 1/16		CUSTOMER: STANDARD PRODUCT	
ORIGINAL CHARACTERISTIC FLAG PER SPEC. XXXX		SCALE: NTS	SHEET: 1 OF 1
		FILE: SAME AS P/N	DIRECTORY: SLW
		PART NUMBER: 61XPBMB FAM	REV: B

## X-ON Electronics

Largest Supplier of Electrical and Electronic Components

*Click to view similar products for [Circular Metric Connectors](#) category:*

*Click to view products by [SWITCHCRAFT](#) manufacturer:*

Other Similar products are found below :

[600X518037X](#) [6STD15PCR99B70A](#) [8R4000A16M020](#) [8R5000A16M005](#) [1200910002](#) [1203580030](#) [1200910008](#) [1200910011](#) [1300140094](#)  
[130203-0054](#) [1300140026](#) [1300150099](#) [RF-12S1N8A90DU](#) [1-3637-600-5205](#) [1612618](#) [21036836414](#) [8R4006A16M010](#) [8R5006A18A120](#)  
[1604232](#) [1R3006A20M005](#) [RF-12P1N8A80DU](#) [RF-12P1N8A90DU](#) [41-40011](#) [42-01015](#) [4-22279-4](#) [4-22281-1](#) [4-22284-9](#) [43-00113](#) [43-](#)  
[01088](#) [43-01203](#) [41-40013](#) [42-00008](#) [43-00343](#) [43-01032](#) [43-01162](#) [43-10000](#) [600X518050X](#) [SACC-DSI-FS-5P-PG9-L180 SC](#)  
[8R5006A16M020](#) [8R5006A16M005](#) [8R4000A16M010](#) [6-22279-3](#) [1605332](#) [N03FA03144](#) [1300140077](#) [43-01338](#) [XS2RD4265](#) [XS2R-](#)  
[D426-1](#) [XS8A-0441](#) [859RD04-103R004](#)