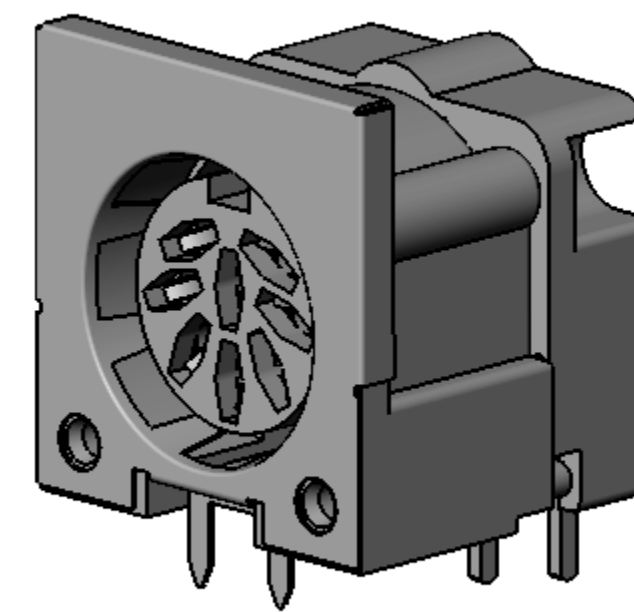
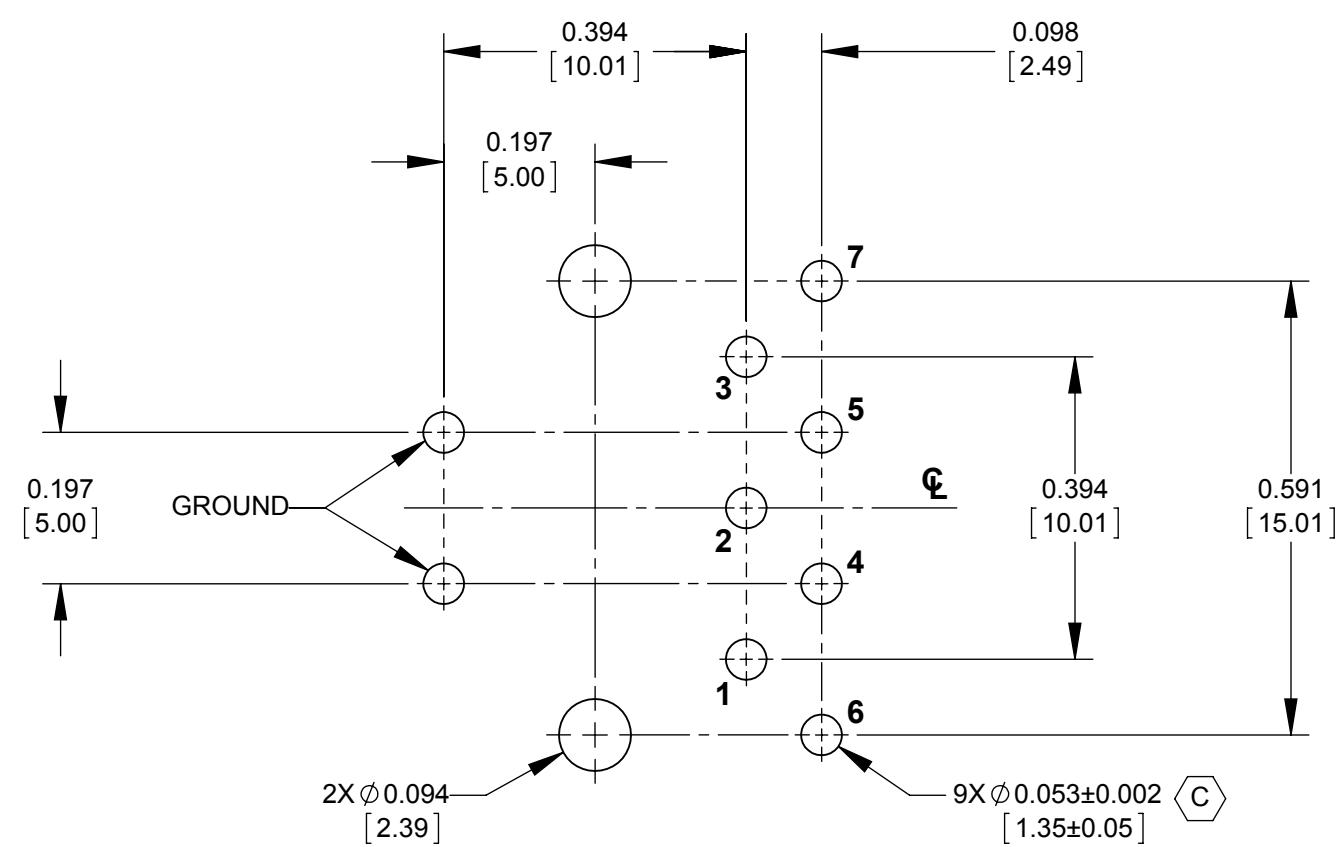
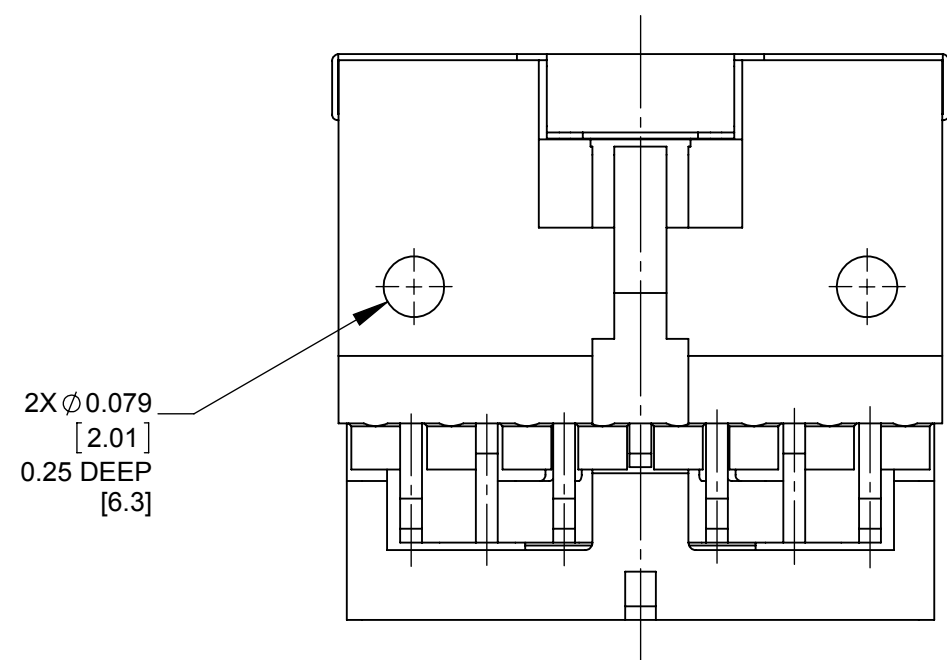
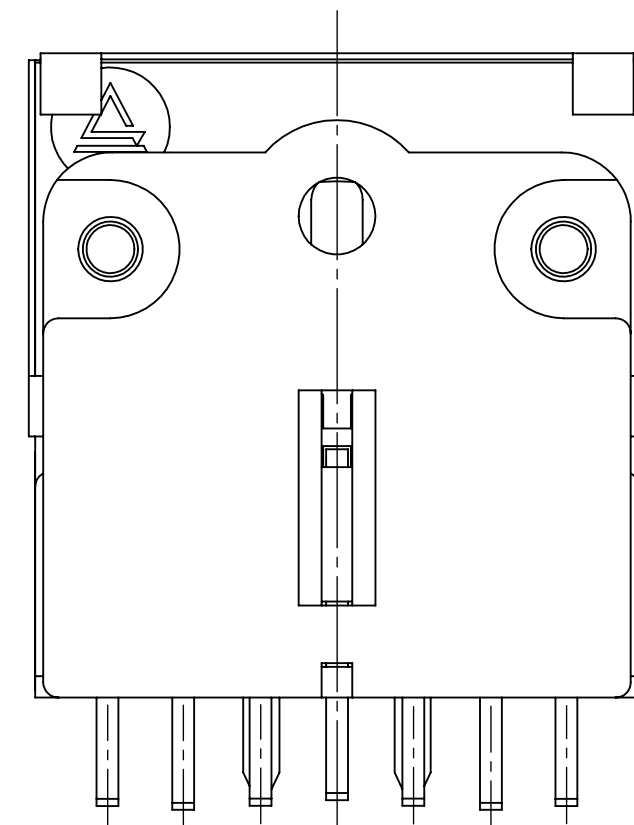
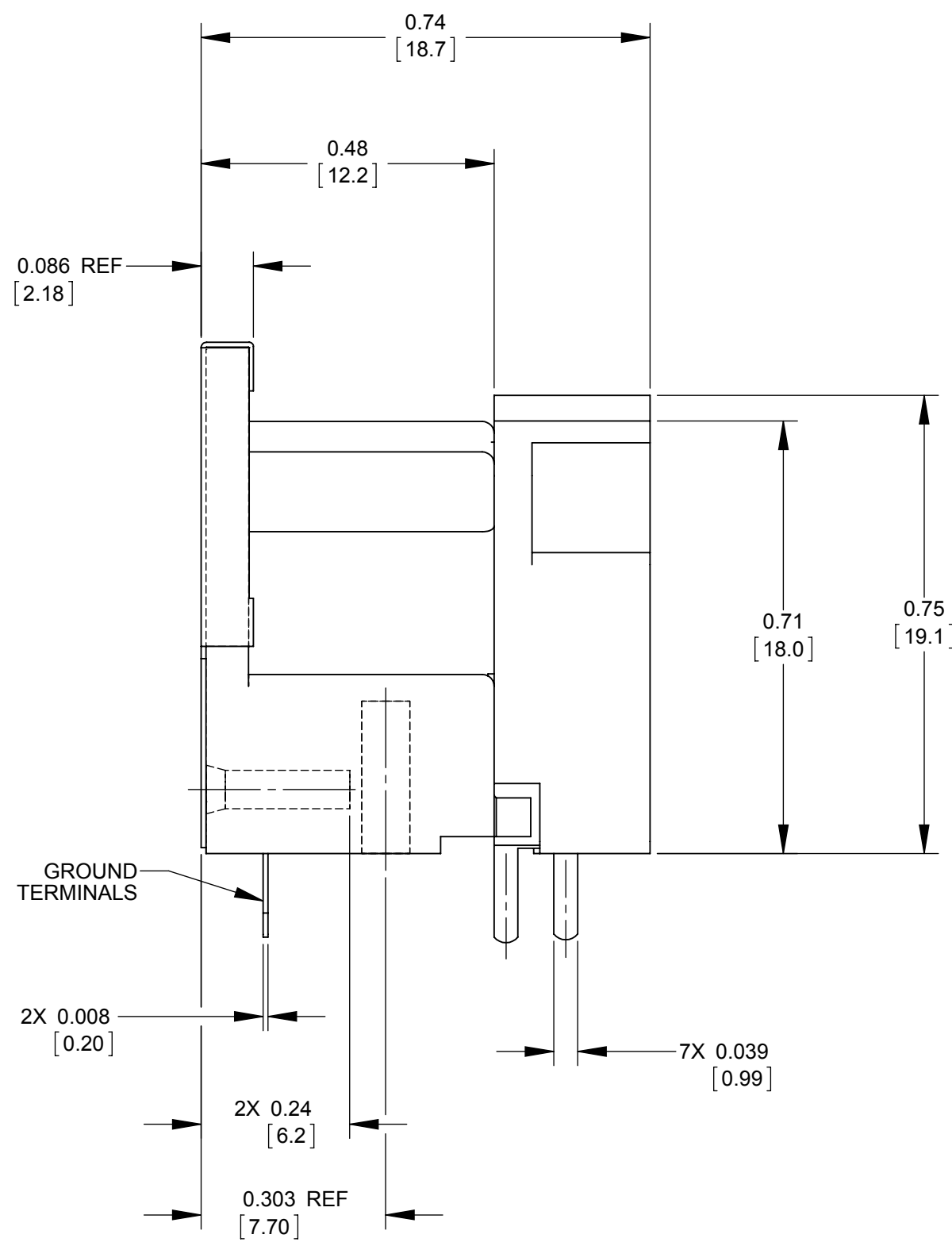


PIN NUMBERS FOR REFERENCE ONLY THEY DO NOT APPEAR ON THE PART



NOTES:

- MATERIALS:
HOUSING - THERMOPLASTIC, BLACK.
PC TERMINALS - COPPER ALLOY, TIN PLATED.
GROUND PLATE - SPECIAL COPPER ALLOY, TIN PLATED.
COVER - THERMOPLASTIC, BLACK.
- MATES WITH PLUG
 $\varnothing 0.520 \pm 0.008$ [13.21 ±0.20]
 $\varnothing 0.536 \pm 0.004$ [13.61 ±0.10]
- THIS PRODUCT IS RoHS COMPLIANT.

RECOMMENDED PC BOARD LAYOUT
COMPONENT SIDE

CUSTOMER DRAWING

REV	ECO NUMBER	DATE	BY	APVD
C	CAD REDRAW NO CHANGE - ECO #27408	11/17/14	PC	TJK
REVISIONS				

UNLESS OTHERWISE SPECIFIED
1. ALL DIMENSIONS IN INCHES [mm]
- TWO PLACE DECIMALS ±0.02 [0.5]
- THREE PLACE DECIMALS ±0.005 [0.13]

THIS DRAWING DESCRIBES A DESIGN CONSIDERED PROPRIETARY IN NATURE, DEVELOPED AND MANUFACTURED BY SWITCHCRAFT INC. AND IS RELEASED ON A CONFIDENTIAL BASIS FOR IDENTIFICATION PURPOSES ONLY.				
SIZE	WIDTH	MULT	LBS/M	TEMPER
FINISH		MATERIAL		
SPEC No.		SPEC No.		
FIRST USED ON		SCALE		
		4:1		
DATE DRAWN	BY	CHKD	APVD	
04/08/83	RB	TS	RV	
		04/12/83	04/12/83	
NAME			PART No.	
RIGHT ANGLE SHIELDED PC			62PC7FS	
FEMALE DIN RECEPTACLE, RoHS			REV	
			C	

DO NOT SCALE DRAWING

SolidWorks CAD File

X-ON Electronics

Largest Supplier of Electrical and Electronic Components

Click to view similar products for [Circular DIN Connectors](#) category:

Click to view products by [Switchcraft](#) manufacturer:

Other Similar products are found below :

[60KD4M](#) [M83723/76W22326](#) [M83723/78R22327](#) [75-069228-21J](#) [7519021610P](#) [75-190224-28S](#) [7547401103P](#) [75-474014-07L](#) [88-559975-75P](#) [88-569735-06P](#) [8R3006A18M0033](#) [PT02E1283P](#) [GTC00G-24-7S](#) [PT05A-14-5SX](#) [GTC030-20-27PW-LC](#) [GTC030A-20-33S](#) [1211290078](#) [1211810025](#) [1210503216](#) [1211290084](#) [1211500027](#) [ACS06AF-16-10P\(003\)](#) [D38999/40WD35PN](#) [D38999/44WD35BN](#) [D38999/44WH21AN](#) [D38999/44WH35AN](#) [D38999/44WJ35PN](#) [12DL6MX](#) [AFD57-22-12S-6141](#) [MS3102R18-1PZ](#) [MS3102R28-22PZ](#) [MS3112E20-24P](#) [MS3114F10-6P](#) [MS3116E8-4SW](#) [MS3122E14-19P](#) [MS3456W28-21PZ-LC](#) [171-2603](#) [17DN100-EX](#) [C015-50C006-100-1](#) [NYS322AG](#) [CA3100E18-1SBF80A176](#) [CA3100F18-10SB](#) [CA3100F18-1SB](#) [CA3101E18-10SBF80](#) [CA3101E18-12SB](#) [CA3102E12S-3P](#) [CA3102E14S-2P](#) [CA3102E14S-6P](#) [CA3102E18-12SWB](#) [CA3102E20-27P](#)