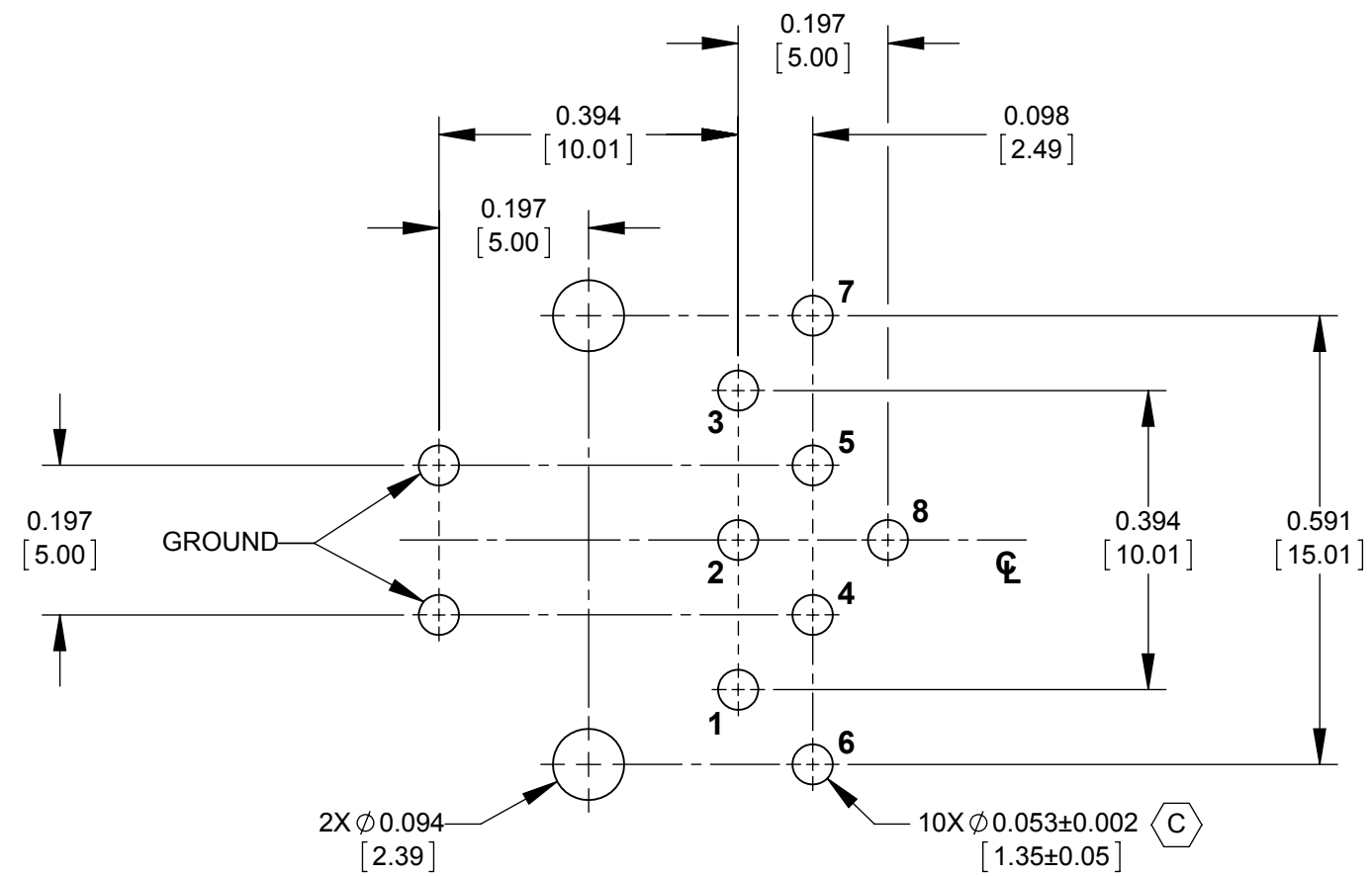
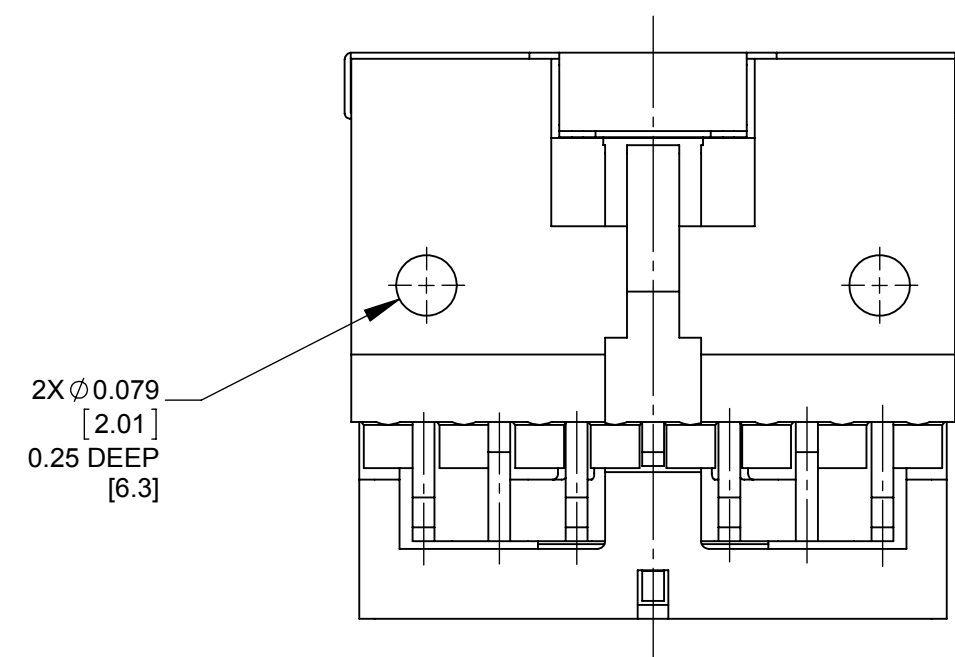
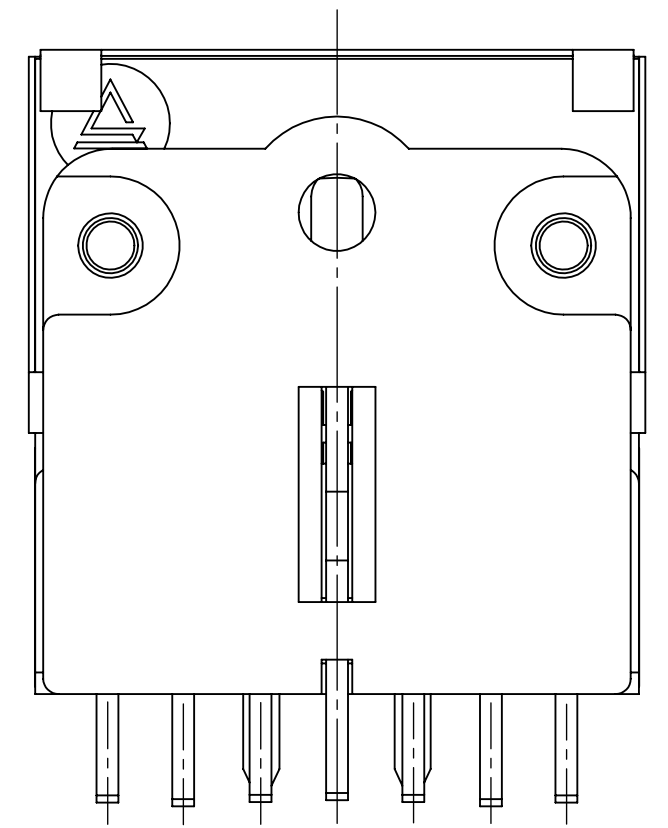
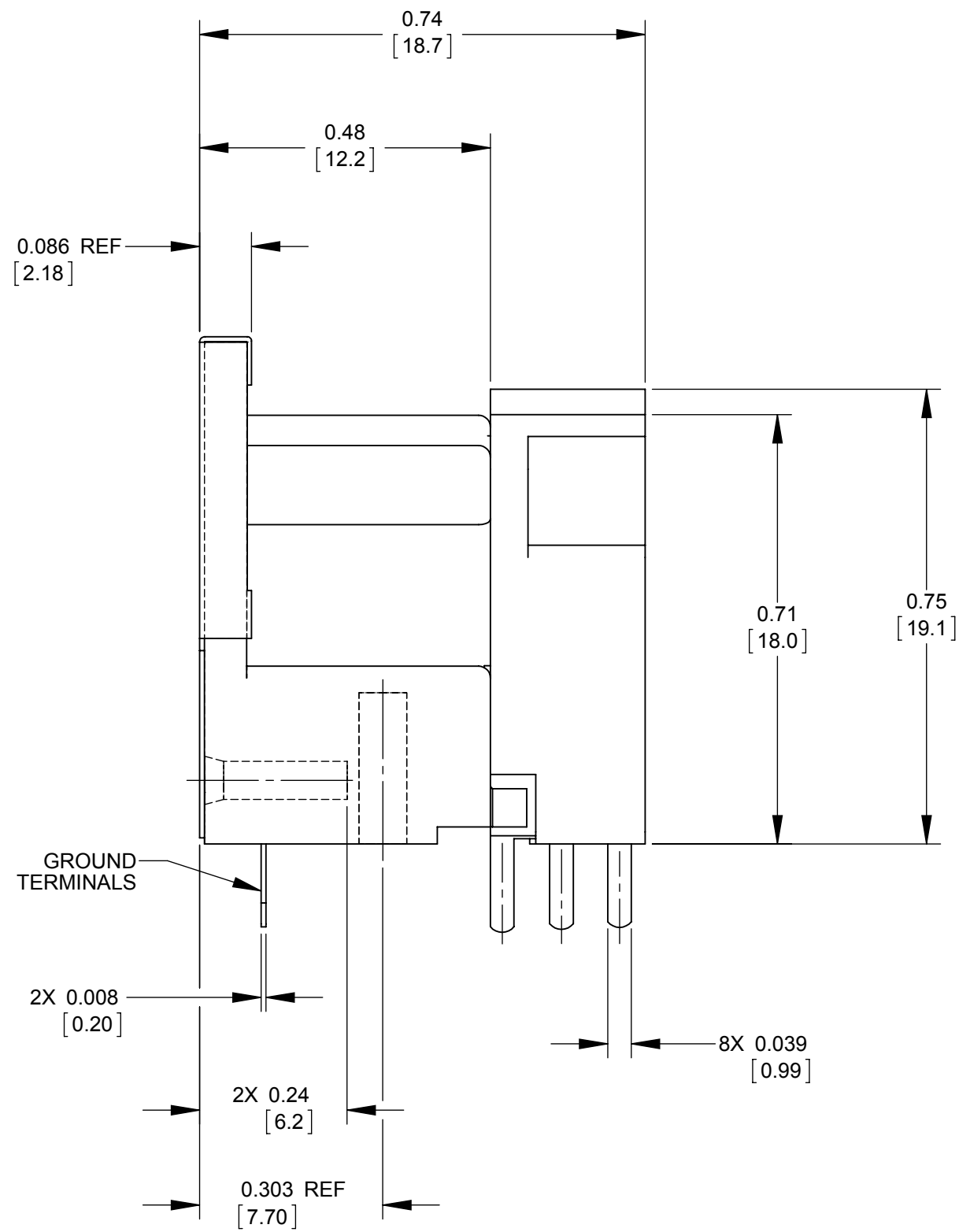
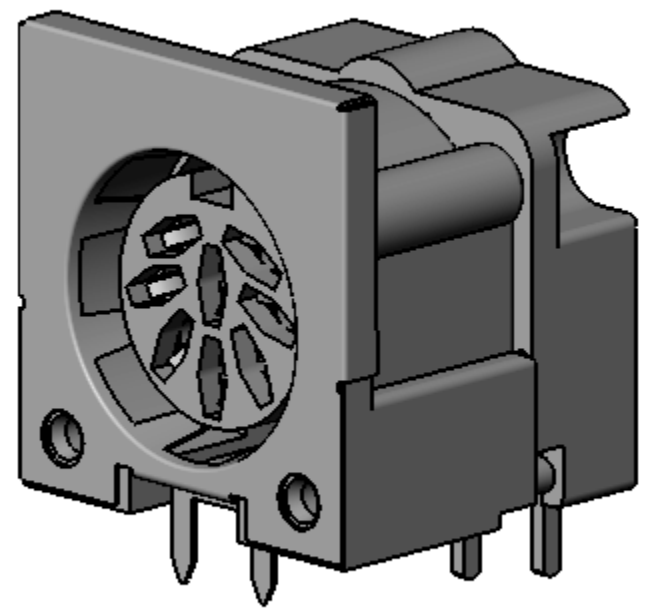


PIN NUMBERS FOR REFERENCE ONLY THEY DO NOT APPEAR ON THE PART



RECOMMENDED PC BOARD LAYOUT
COMPONENT SIDE



- NOTES:
- MATERIALS:
HOUSING - THERMOPLASTIC, BLACK.
PC TERMINALS - COPPER ALLOY, TIN PLATED.
GROUND PLATE - SPECIAL COPPER ALLOY, TIN PLATED.
COVER - THERMOPLASTIC, BLACK.
 - MATES WITH PLUG
Ø 0.520±0.008 [13.21 ±0.20]
Ø 0.536±0.004 [13.61 ±0.10]
 - THIS PRODUCT IS RoHS COMPLIANT.

CUSTOMER DRAWING

UNLESS OTHERWISE SPECIFIED				THIS DRAWING DESCRIBES A DESIGN CONSIDERED PROPRIETARY IN NATURE, DEVELOPED AND MANUFACTURED BY SWITCHCRAFT INC. AND IS RELEASED ON A CONFIDENTIAL BASIS FOR IDENTIFICATION PURPOSES ONLY.					
1. ALL DIMENSIONS IN INCHES [mm]				SIZE	WIDTH	MULT	LBS/M	TEMPER	
- TWO PLACE DECIMALS ±0.02 [0.5]				FINISH		MATERIAL			
- THREE PLACE DECIMALS ±0.005 [0.13]				SPEC No.		SPEC No.			
C				FIRST USED ON		SCALE			
CAD REDRAW NO				DATE DRAWN		BY		CHKD	APVD
CHANGE - ECO #27408				01/04/83		RB		TS	RV
11/17/14				01/06/83		01/06/83		01/06/83	
PC				TJK					
REV				ECO NUMBER		DATE		BY	
APVD									
REVISIONS				DO NOT SCALE DRAWING				NAME RIGHT ANGLE SHIELDED PC FEMALE DIN RECEPTACLE, RoHS	
				SolidWorks CAD File				PART No. 62PC8FS	
								SHEET 1 OF 1	
								REV C	

X-ON Electronics

Largest Supplier of Electrical and Electronic Components

Click to view similar products for [Circular DIN Connectors](#) category:

Click to view products by [Switchcraft](#) manufacturer:

Other Similar products are found below :

[60KD4M](#) [M83723/76W22326](#) [M83723/78R22327](#) [D38999/26FE99SN L/C](#) [75-190224-28S](#) [7547401103P](#) [75-474014-07L](#) [88-559975-75P](#)
[88-569769-19P](#) [8R3006A18M0033](#) [PT02E1283P](#) [GTC00G-24-7S](#) [PT05SE1832SWLC](#) [PT05SE1832SYLC](#) [GTC030-20-27PW-LC](#)
[GTC030A-20-33S](#) [PT06SE1811SXLC](#) [1211290078](#) [1211810025](#) [1210120122](#) [1210503216](#) [1211290084](#) [1211500027](#) [ACS06AF-16-](#)
[10P\(003\)](#) [D38999/40FB35AN](#) [D38999/40FB35BB](#) [D38999/40WB35BN](#) [D38999/40WD35PN](#) [D38999/40WJ29SN-L/C](#) [D38999/42FB35BN](#)
[D38999/42WB35AB](#) [D38999/42WB35PB-L/C](#) [D38999/42WJ19AN](#) [D38999/44WB35AN](#) [D38999/44WD35BN](#) [D38999/44WH35AN](#)
[D38999/44WJ29BA](#) [D38999/44WJ35PN](#) [D38999/44WJ61BA](#) [D38999/46FJ19SA-L/C](#) [D38999/46FJ29AA](#) [D38999/46FJ29AN](#)
[D38999/46FJ29PN-L/C](#) [D38999/46FJ61BA](#) [D38999/46FJ61SA](#) [D38999/46WF32PN-L/C](#) [D38999/46WF32PN\(LESS CONT](#)
[D38999/46WJ19AA](#) [D38999/46WJ19SA-L/C](#) [D38999/46WJ35BA](#)