

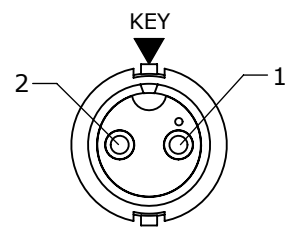
CUSTOMER PRINT

PART NUMBER: 6380-XPG-3XX

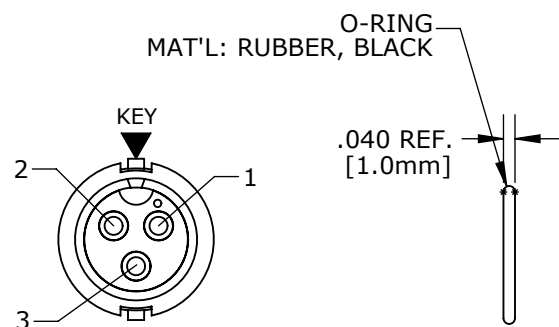
NOTES:  
1. ALL PARTS TO BE BULK PACKED.

KIT P/N	GROMMET SIZE
6380-XPG-3DC	DAISY CHAIN
6380-XPG-311	CABLE O.D. .09-.14 [2.3-3.5mm]
6380-XPG-315	CABLE O.D. .15-.17 [3.8-4.3mm]
6380-XPG-318	CABLE O.D. .18-.20 [4.6-5.1mm]
6380-XPG-321	CABLE O.D. .21-.23 [5.3-5.8mm]

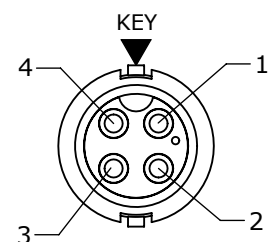
KIT P/N	NO. OF CONTACTS
6380-2PG-3XX	2 #16
6380-3PG-3XX	3 #16
6380-4PG-3XX	4 #16
6380-XPG-3XX	



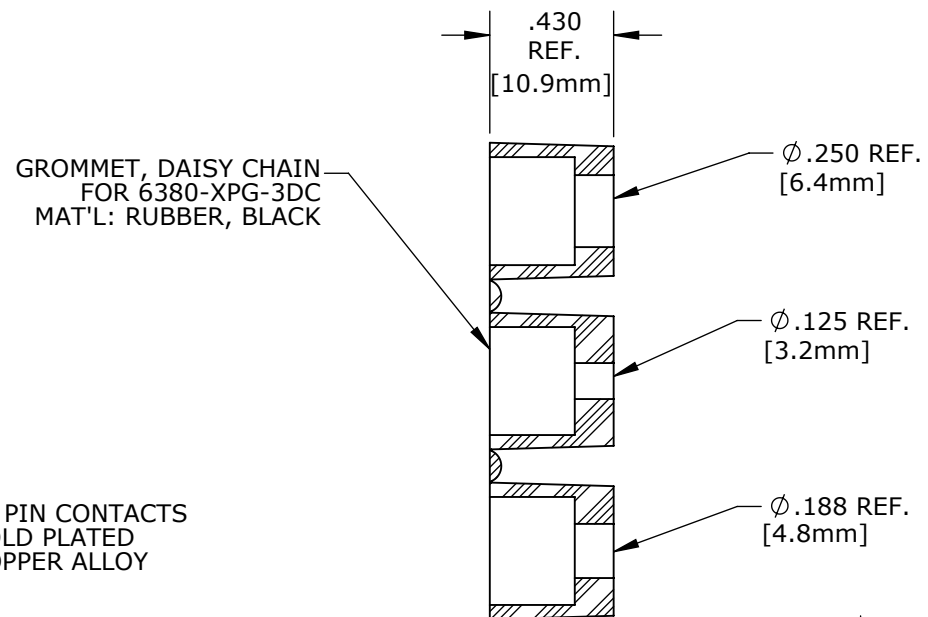
**FACE VIEW**  
6380-2PG-3XX



**FACE VIEW**  
6380-3PG-3XX

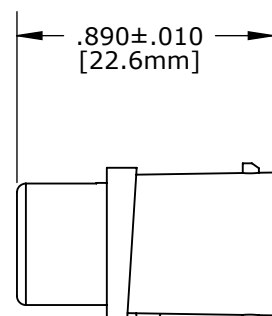


**FACE VIEW**  
6380-4PG-3XX

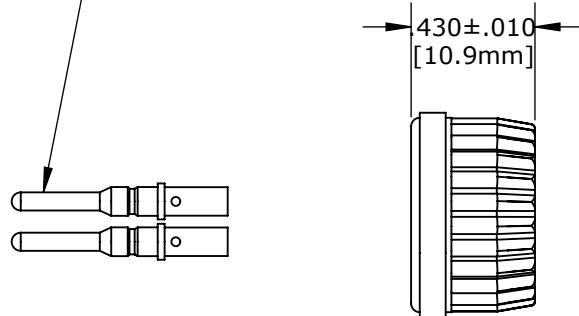


GROMMET, DAISY CHAIN  
FOR 6380-XPG-3DC  
MAT'L: RUBBER, BLACK

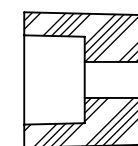
(2-4) #16 PIN CONTACTS  
MAT'L: GOLD PLATED  
COPPER ALLOY



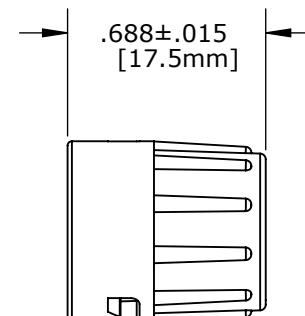
CABLE CONNECTOR, MALE  
MAT'L: THERMOPLASTIC, BLACK



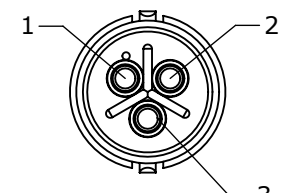
COUPLING RING  
MAT'L: THERMOPLASTIC, BLACK



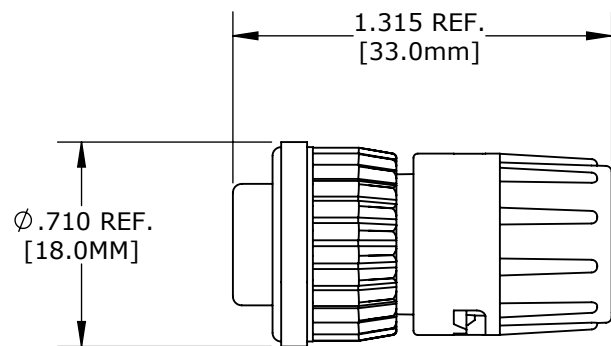
SINGLE GROMMET  
MAT'L: SANTOPRENE, BLACK



BACKSHELL  
MAT'L: THERMOPLASTIC, BLACK



**WIRE VIEW**  
6380-3PG-3XX SHOWN



**ASSEMBLED VIEW**  
FOR CUSTOMER REF.

DIMENSIONS IN BRACKETS [ ] ARE METRIC

GROMMET SIZE  
FOR SINGLE  
GROMMET OR  
"DC" FOR  
DAISY CHAIN

NO. OF CONTACTS

**CUSTOMER APPROVAL**

THIS DOCUMENT CONTAINS CONFIDENTIAL INFORMATION PROPRIETARY TO CONXALL CORPORATION. ANY REPRODUCTION, DISCLOSURE, OR USE OF THIS DOCUMENT / INFORMATION IS EXPRESSLY PROHIBITED UNLESS AUTHORIZED IN WRITING BY CONXALL CORPORATION.

APPROVED BY: \_\_\_\_\_  
DATE: \_\_\_\_\_

**RoHS COMPLIANT**

A	AN	06-27-12	DRAWING CREATED PER DOR 12-E149SL #17	
REV.	INIT.	DATE	DESCRIPTION	
	AN	06-26-12	ALL INFORMATION ILLUSTRATED IS THE PROPERTY OF "CONXALL CORPORATION". UNAUTHORIZED DUPLICATION OR DISTRIBUTION OF THIS DOCUMENT IS PROHIBITED.	
APPROVED BY:			 601 E. WILDWOOD VILLA PARK, IL 60181	
CHECKED BY:				
APPROVED BY:			TITLE: CABLE CONNECTOR KIT (2-4) #16 PIN CONTACTS MINI-CON-X	
SCALE: NTS			CUSTOMER: STANDARD PRODUCT	
FILE: 6380-XPG-3XX			PART NUMBER: 6380-XPG-3XX	
DIRECTORY: SLW			REV: A	

## X-ON Electronics

Largest Supplier of Electrical and Electronic Components

*Click to view similar products for [Standard Circular Connector](#) category:*

*Click to view products by [Switchcraft](#) manufacturer:*

Other Similar products are found below :

[600273N007](#) [6134-336-13149](#) [6134-337-11149](#) [6134-337-2390](#) [6134-341-17149](#) [6280-4SG-516](#) [6280-7SG-3DC](#) [6282-2SG-315](#) [66200A-10](#)  
[67-02E12-60PX](#) [680-SMG](#) [CXS3102A181S](#) [7251-5SG-300](#) [7282-3PG-300-CH3](#) [75-190218-10P](#) [75-190611-03S](#) [75-474014-05S](#) [75-474118-](#)  
[10P](#) [75-474211-03P](#) [75-474218-19S](#) [75-474618-01S](#) [75-474618-04P](#) [75-474618-04S](#) [75-474620-07P](#) [799539-000](#) [MI8-SE](#) [80-190222-18P](#)  
[805-005-07NF11-19PC](#) [805-005-07NF15-7PA](#) [8280-7PG-519](#) [8282-5PG-519](#) [862256-1](#) [866857-1](#) [867865-1](#) [PT08P-14-19S](#) [PT08P-14-5S](#)  
[PT08P-8-3S](#) [120-1833-000](#) [QCM019PC2DC012B](#) [121583-0217](#) [HEX40-AB-00-21-A9-1](#) [121667-0020](#) [RD10A16-19-P6CS051/1](#) [RD16A14-](#)  
[12-S6CS051/2](#) [1301240347](#) [1301790476](#) [1301240268](#) [1301240275](#) [1301860183](#) [1301860906](#)