

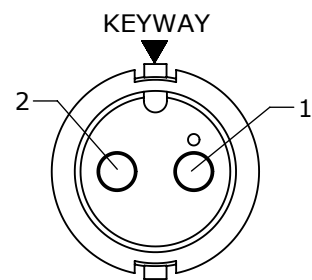
CUSTOMER PRINT

PART NUMBER: 6380-XSG-3XXW

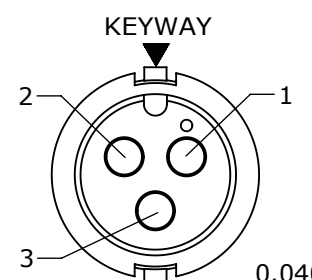
NOTES:  
1. ALL PARTS TO BE BULK PACKED.

KIT P/N	GROMMET SIZE
6380-XSG-3DCW	DAISY CHAIN
6380-XSG-311W	CABLE O.D. .09-.14 [2.3-3.5mm]
6380-XSG-315W	CABLE O.D. .15-.17 [3.8-4.3mm]
6380-XSG-318W	CABLE O.D. .18-.20 [4.6-5.1mm]
6380-XSG-321W	CABLE O.D. .21-.23 [5.3-5.8mm]

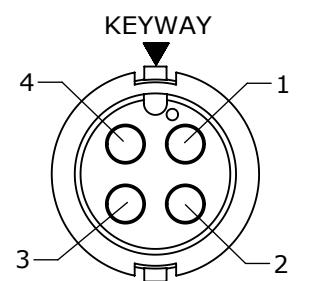
KIT P/N	NO. OF CONTACTS
6380-2SG-3XXW	2 #16
6380-3SG-3XXW	3 #16
6380-4SG-3XXW	4 #16
6380-5SG-3XXW	5 #16
6380-XSG-3XXW	



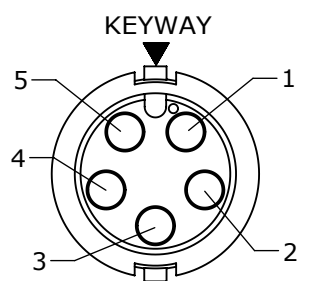
**FACE VIEW**  
6380-2SG-3XXW



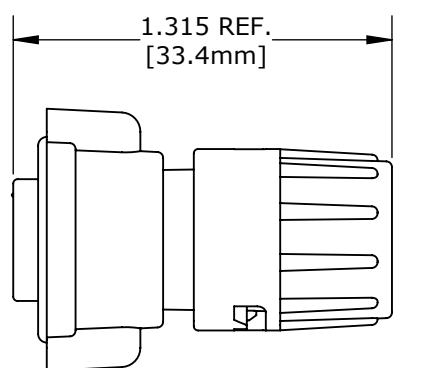
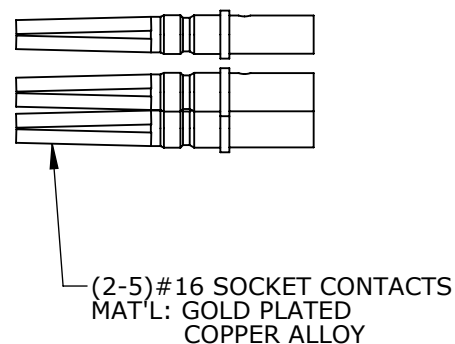
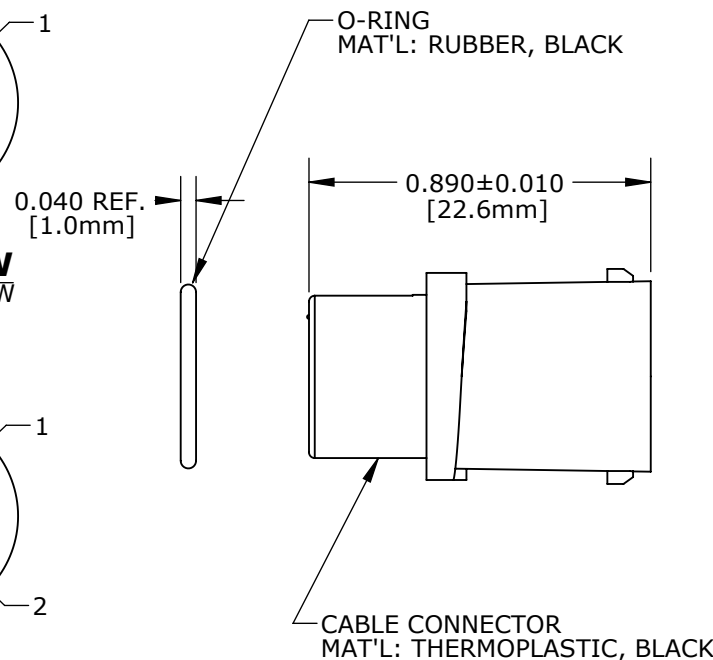
**FACE VIEW**  
6380-3SG-3XXW



**FACE VIEW**  
6380-4SG-3XXW



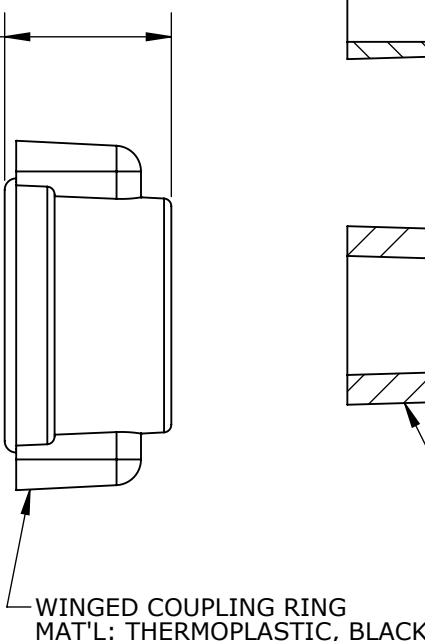
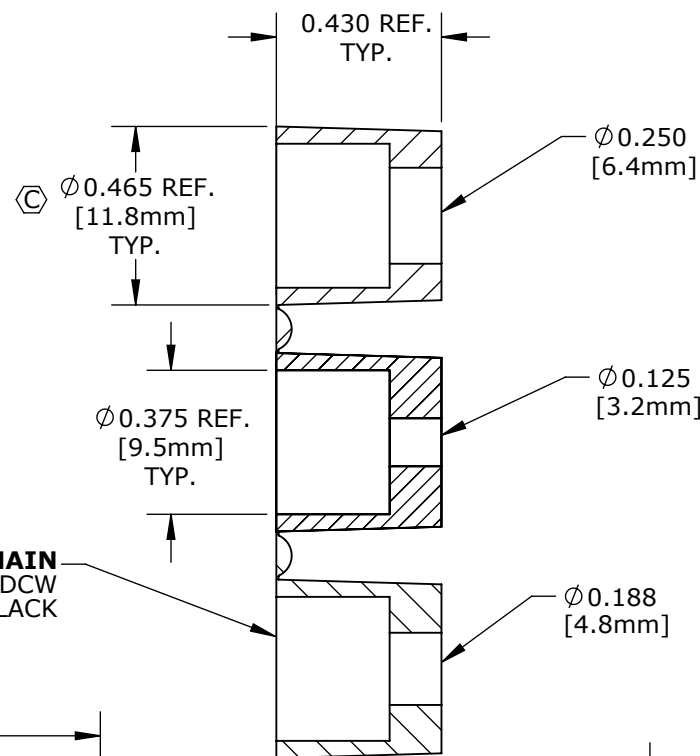
**FACE VIEW**  
6380-5SG-3XXW



**ASSEMBLED VIEW**   
FOR CUSTOMER REFERENCE

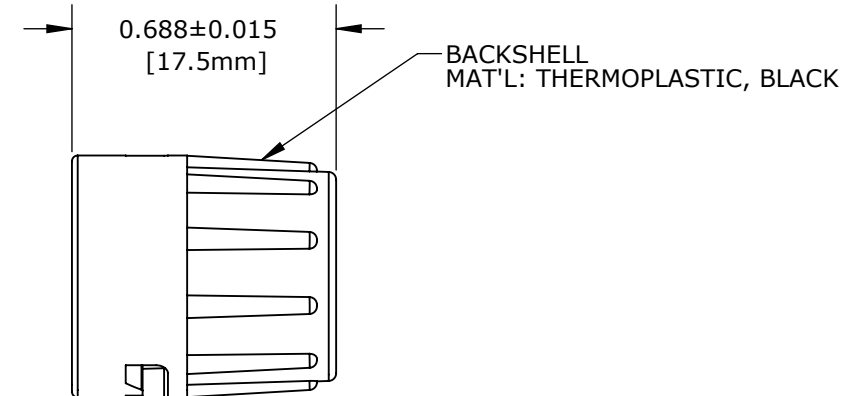
DIMENSIONS IN BRACKETS [ ] ARE METRIC

**GROMMET, DAISY CHAIN**  
FOR 6380-XSG-3DCW  
MAT'L: RUBBER, BLACK



**SINGLE GROMMET**  
MAT'L: SANTOPRENE, BLACK

6380-XSG-311W (.125 I.D. FOR CABLES .09-.14 [2.3-3.5mm] O.D.)  
6380-XSG-315W (.160 I.D. FOR CABLES .15-.17 [3.8-4.3mm] O.D.)  
6380-XSG-318W (.190 I.D. FOR CABLES .18-.20 [4.6-5.1mm] O.D.)  
6380-XSG-321W (.225 I.D. FOR CABLES .21-.23 [5.3-5.8mm] O.D.)



GROMMET SIZE FOR SINGLE GROMMET OR "DC" FOR DAISY CHAIN

NO. OF CONTACTS

**CUSTOMER APPROVAL**

THIS DOCUMENT CONTAINS CONFIDENTIAL INFORMATION PROPRIETARY TO CONXALL CORPORATION. ANY REPRODUCTION, DISCLOSURE, OR USE OF THIS DOCUMENT / INFORMATION IS EXPRESSLY PROHIBITED UNLESS AUTHORIZED IN WRITING BY CONXALL CORPORATION.

APPROVED BY: \_\_\_\_\_  
DATE: \_\_\_\_\_

**RoHS COMPLIANT**

REV.	INIT.	DATE	DESCRIPTION
C	AN	11-04-13	GROMMET O.D. 0.465 WAS .475, COUPLING DIM. 0.434 WAS .442, ADDED MATERIALS AND ASSEMBLED VIEW. PER ECR 8561
B	AN	05-19-10	ADDED TOLERANCES ON INSERT AND BACKSHELL PER DOR 10-E211SL
A	AN	02-23-10	DRAWING CREATED PER DOR 10-E149SL

ALL INFORMATION ILLUSTRATED IS THE PROPERTY OF "CONXALL CORPORATION". UNAUTHORIZED DUPLICATION OR DISTRIBUTION OF THIS DOCUMENT IS PROHIBITED.		ORIG. DRAWN BY: AN	DATE: 02-15-10
ALL UNITS ARE IN FEET, INCHES, FRACTION OF INCHES AND DECIMALS.		CHECKED BY:	
- CRITICAL CHARACTERISTIC FLAG PER SPEC. XXXX		APPROVED BY:	
SCALE: NTS	SIZE: B	SHEET: 1 OF 1	TITLE: CABLE CONNECTOR KIT 2-5 #16 SOCKET CONTACTS MINI-CON-X STANDARD PRODUCT
FILE: 6380-XSG-3XXW	DIRECTORY: SLW	PART NUMBER: 6380-XSG-3XXW	REV: c



601 E. WILDWOOD VILLA PARK, IL 60181

## X-ON Electronics

Largest Supplier of Electrical and Electronic Components

*Click to view similar products for [Crimpers / Crimping Tools](#) category:*

*Click to view products by [SWITCHCRAFT](#) manufacturer:*

Other Similar products are found below :

[010-0096](#) [CT150-2-D02](#) [CT150-6-RH07](#) [622-6441LF](#) [63484-3701](#) [63800-8355](#) [63819-1875](#) [63819-2875](#) [63819-4475](#) [63827-5375](#) [64005-0175](#) [662903-2](#) [690602-6](#) [7-23471-1](#) [734611-1](#) [762637-1](#) [811242-5](#) [91362-1](#) [1-21002-3](#) [1-21002-7](#) [12118040](#) [12085270](#) [12387119-6](#) [1-22548-4](#) [125442-1](#) [DCE.91.073.BVC](#) [DCE.91.090.3MVM](#) [DCE.91.162.BVCM](#) [DCE.91.202.BVCM](#) [1310G2](#) [1333249-1](#) [1-354003-0](#) [1338301-1](#) [DF62/RE-MD](#) [142321](#) [AP105-DF11-2428S\(64\)](#) [1456088-1](#) [1-45804-6](#) [15397700](#) [AX100749](#) [1-59619-7](#) [1596970-1](#) [1-59619-8](#) [1901238-2](#) [2119581-1](#) [K761](#) [KTH-1079](#) [KTH-2022](#) [KTH-2260](#) [904139-1](#)