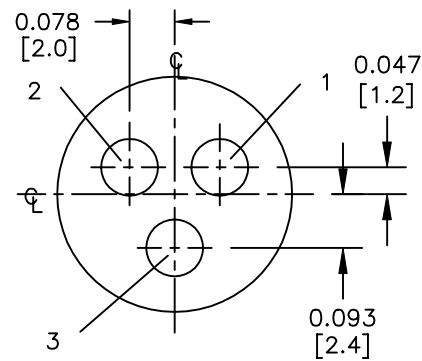
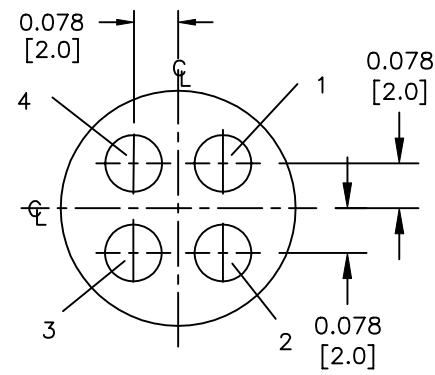


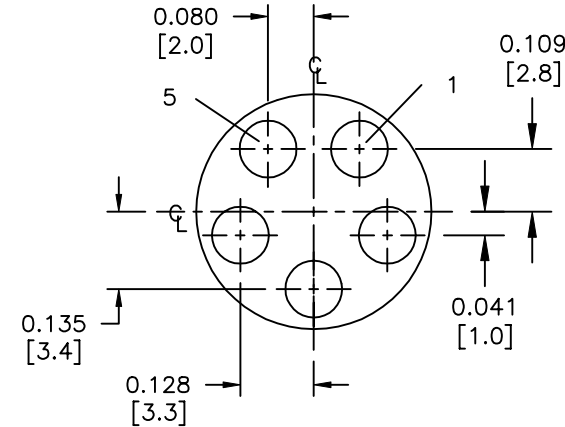
2-#16
PC TAIL DIA. 0.048 ±0.001 REF.



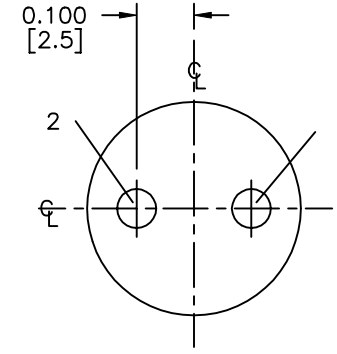
3-#16
PC TAIL DIA. 0.048 ±0.001 REF.



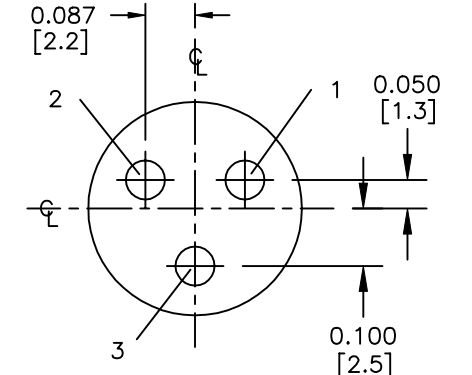
4-#16
PC TAIL DIA. 0.048 ±0.001 REF.



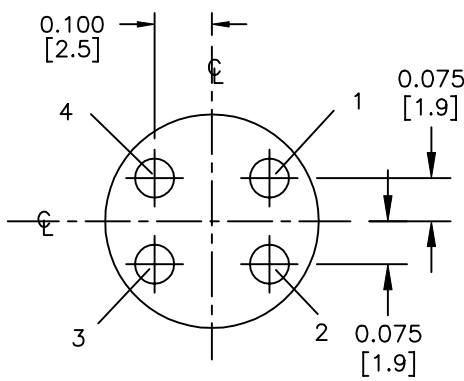
5-#16
PC TAIL DIA. 0.048 ±0.001 REF.



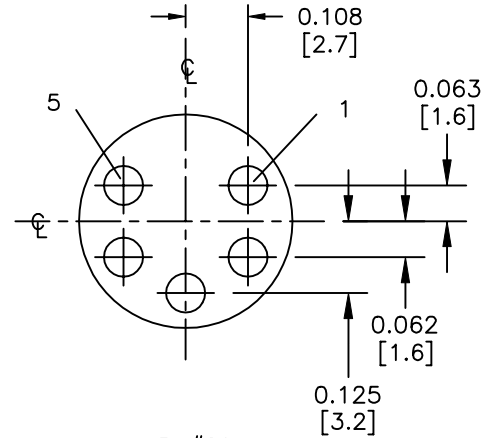
2-#20
PC TAIL DIA. 0.0395 ±0.001 REF.



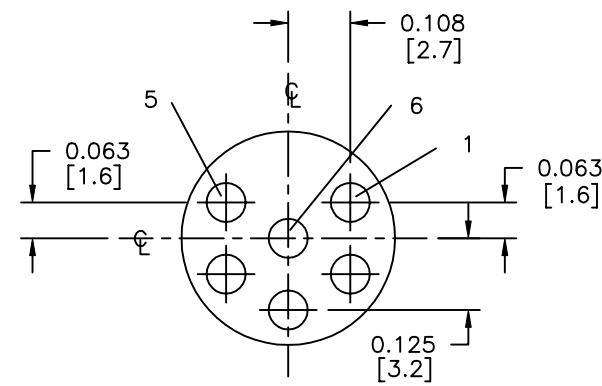
3-#20
PC TAIL DIA. 0.0395 ±0.001 REF.



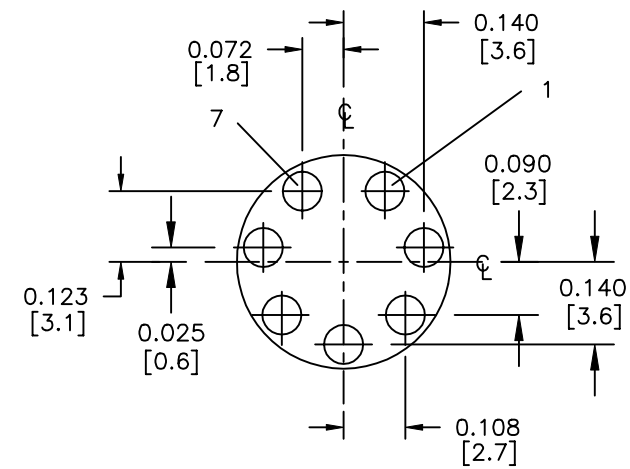
4-#20
PC TAIL DIA. 0.0395 ±0.001 REF.



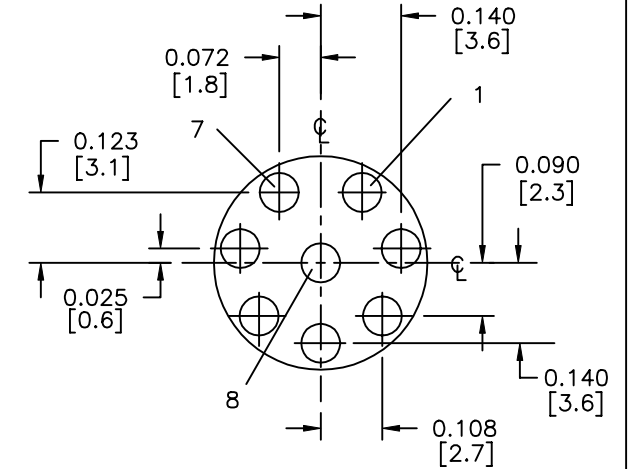
5-#20
PC TAIL DIA. 0.0395 ±0.001 REF.



6-#20
PC TAIL DIA. 0.0395 ±0.001 REF.



7-#20
PC TAIL DIA. 0.0395 ±0.001 REF.
PANEL PIN ONLY



8-#20
PC TAIL DIA. 0.0395 ±0.001 REF.
PANEL PIN ONLY

WIRE VIEWS

CUSTOMER APPROVAL

CHECKED BY: _____

APPROVED BY: _____

DATE: _____

C	AN	03-13-06	ADDED CUSTOMER PRINT PER DOR 04-E149JC AND ECR 6107
REV.	INIT.	DATE	DESCRIPTION
ALL INFORMATION ILLUSTRATED IS THE PROPERTY OF CONNALL CORPORATION. UNAUTHORIZED DUPLICATION OR DISTRIBUTION OF THIS DOCUMENT IS PROHIBITED.			ORIG. DRAWN BY: _____ DATE: 04-27-99 CHECKED BY: _____ APPROVED BY: _____
ALL UNITS ARE IN FEET, INCHES, FRACTION OF INCHES AND DECIMALS. UNLESS OTHERWISE SPECIFIED TOLERANCES: 3 PLACE DECIMALS ±0.005 ANGLES ±1° FRACTIONS ±1/16 ▽ = CRITICAL CHARACTERISTIC FLAG PER SPEC. XXXX			601 E. WILDWOOD VILLA PARK, IL 60181 TITLE: HOLE PATTERNS MINI-CON-X CUSTOMER: _____ PART NUMBER: HPMISTD
SCALE	SIZE	SHEET	REV.
3:1	B	1 OF 1	C
FILE:	DIRECTORY:	PART NUMBER: HPMISTD	
HPMISTDSH1	DETAILS		

X-ON Electronics

Largest Supplier of Electrical and Electronic Components

Click to view similar products for [Standard Circular Connector](#) category:

Click to view products by [Switchcraft](#) manufacturer:

Other Similar products are found below :

[5M2530B10P](#) [600259N006](#) [600273N007](#) [6134-336-13149](#) [6134-337-11149](#) [6134-337-2390](#) [6134-341-17149](#) [6280-4SG-516](#) [6280-7SG-3DC](#)
[6290](#) [6291A](#) [66200A-10](#) [680-SMG](#) [681-PMG](#) [CXS3102A14S2P](#) [CXS3102A181S](#) [7271-6SG-300](#) [7282-3PG-300-CH3](#) [75-474014-05S](#) [75-](#)
[474618-01S](#) [75-474618-04P](#) [75-474618-04S](#) [799539-000](#) [MI8-SE](#) [805-005-07NF11-19PC](#) [805-005-07NF15-7PA](#) [8280-4PG-516](#) [8280-7PG-](#)
[519](#) [8282-5PG-519](#) [836783-1](#) [MP-4102-25P-C](#) [862256-1](#) [864019-2](#) [866857-1](#) [867865-1](#) [PT01SP-14-18P](#) [PT08P-14-5S](#) [120-1833-000](#)
[QCM019PC2DC012B](#) [1-2069279-1](#) [121583-0217](#) [121667-0020](#) [129591AU](#) [1000B BULK](#) [RD10A16-19-P6CS051/1](#) [RD10A20-31-](#)
[P8CS051/1](#) [RD16A14-12-S6CS051/2](#) [1301240290](#) [1301240347](#) [1301860202](#) [1301240268](#)