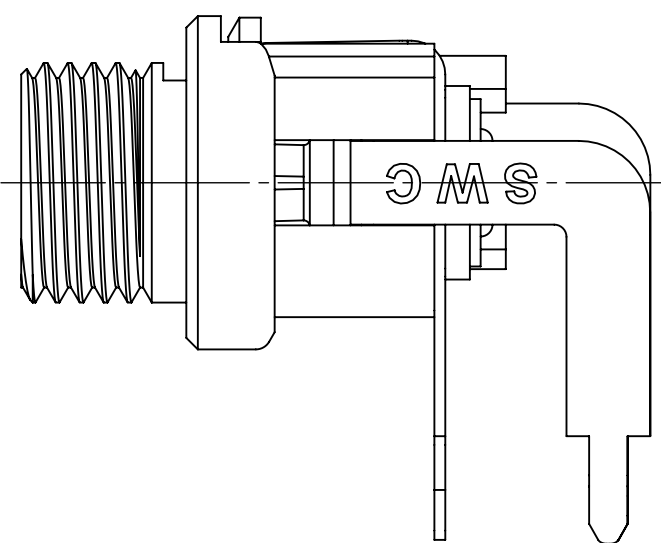
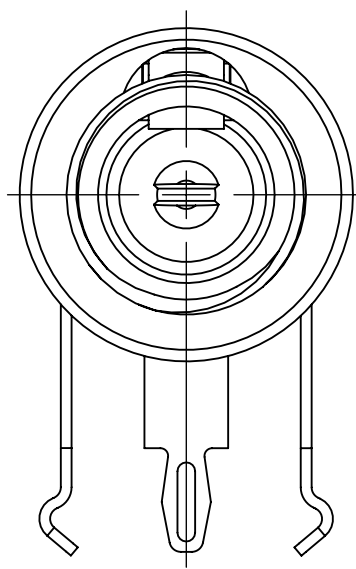


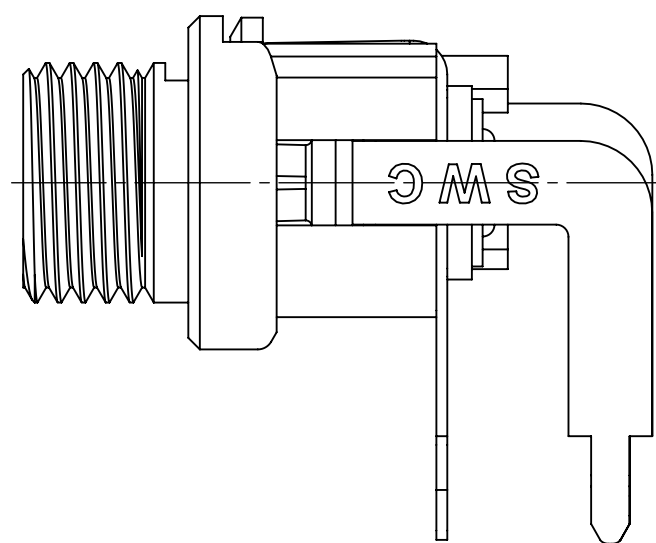
712RA
STANDARD
(CENTER PIN $\varnothing 0.098$)



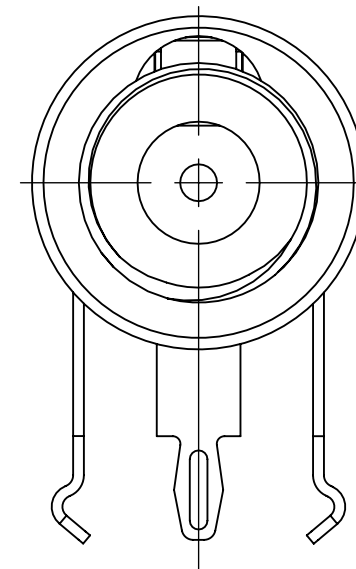
712RAH
HIGH TEMPERATURE
(CENTER PIN $\varnothing 0.098$)



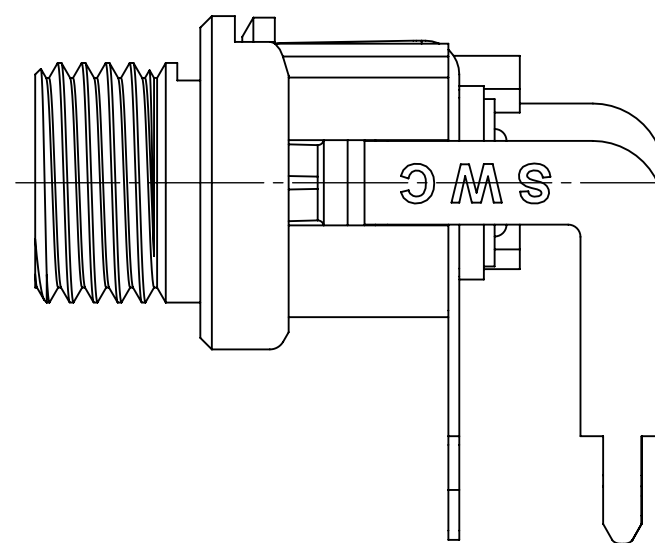
722RA
STANDARD
(CENTER PIN $\varnothing 0.076$)



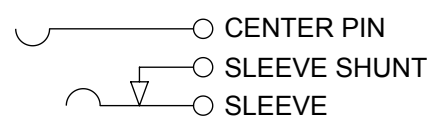
722RAH
HIGH TEMPERATURE
(CENTER PIN $\varnothing 0.076$)



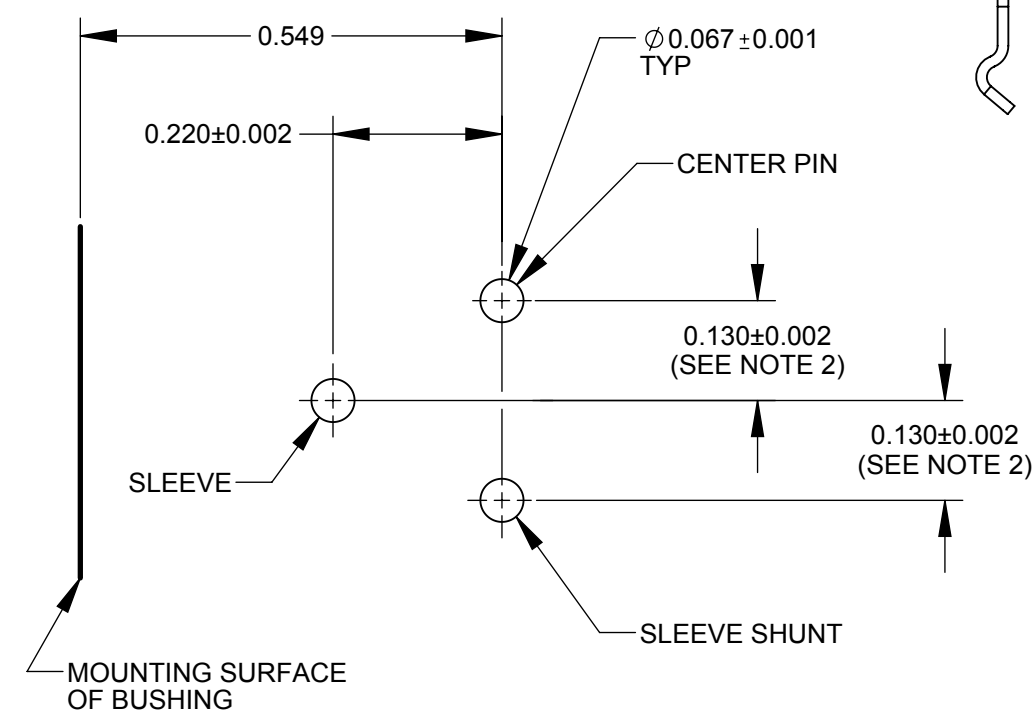
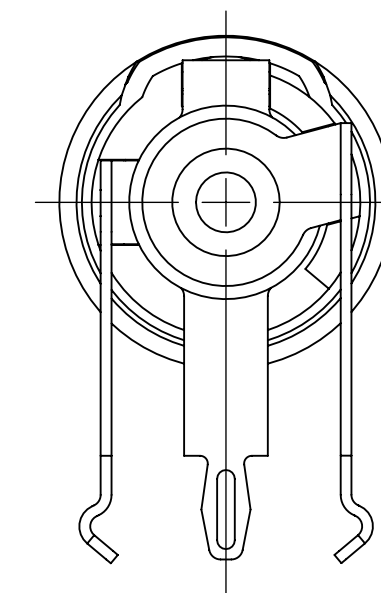
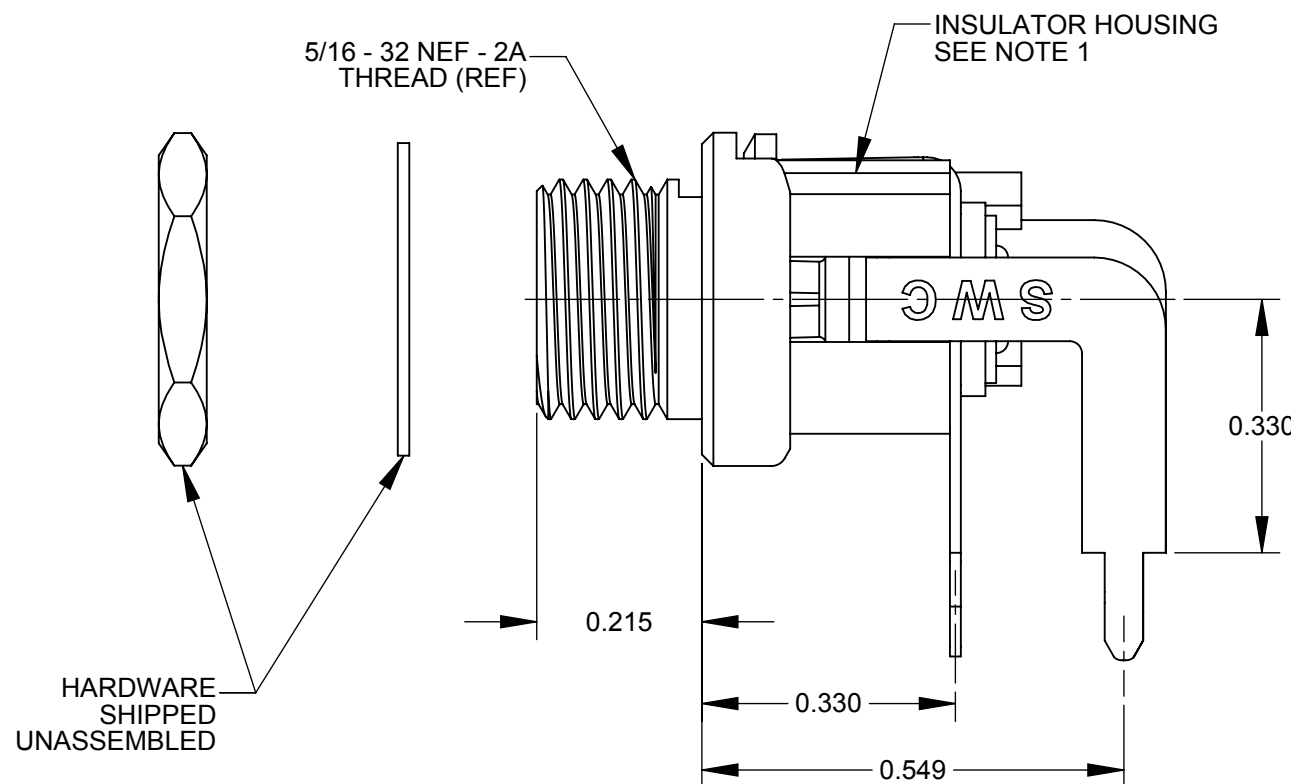
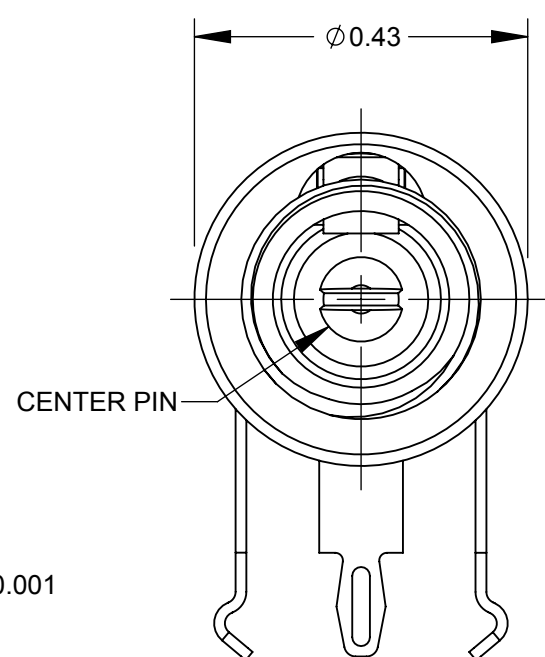
732RA
STANDARD
(CENTER PIN $\varnothing 0.048$)



732RAH
HIGH TEMPERATURE
(CENTER PIN $\varnothing 0.048$)



SCHEMATIC



RECOMMENDED PANEL LAYOUT
(COMPONENT SIDE)

NOTES:

- MATERIALS:
BUSHING - COPPER ALLOY, NICKEL PLATED
INSULATOR HOUSING -
THERMOPLASTIC BLACK (STANDARD RA SERIES)
THERMOPLASTIC WHITE (HIGH TEMPERATURE RAH SERIES)
PIN, SPRING AND TERMINALS - COPPER ALLOY, SILVER PLATED
INSULATORS - PHENOLIC
HEX NUT - COPPER ALLOY, NICKEL PLATED
FLAT WASHER - STEEL, NICKEL PLATED
- FOR HAND INSERTION USE 0.130 SPACING.
FOR AUTOMATED INSERTION USE 0.135 SPACING.
- RA SERIES ARE RATED FOR 65°C MAX OPERATING TEMPERATURE
RAH SERIES ARE RATED FOR 85°C MAX OPERATING TEMPERATURE
- THE PRODUCTS IN THIS SERIES ARE RoHS COMPLIANT.

CUSTOMER DRAWING

UNLESS OTHERWISE SPECIFIED					THIS DRAWING DESCRIBES A DESIGN CONSIDERED PROPRIETARY IN NATURE, DEVELOPED AND MANUFACTURED BY SWITCHCRAFT INC. AND IS RELEASED ON A CONFIDENTIAL BASIS FOR IDENTIFICATION PURPOSES ONLY.					
1. ALL DIMENSIONS IN INCHES		- TWO PLACE DECIMALS ±0.02		- THREE PLACE DECIMALS ±0.005		SIZE	WIDTH	MULT	LBS/M	TEMPER
FINISH						MATERIAL			SPEC No.	
FIRST USED ON						SCALE			4:1	
DATE DRAWN	BY	CHKD	APVD			DATE DRAWN		BY	CHKD	APVD
1/29/12	AB	AB	TJK			1/29/12		1/29/12	3/12/13	
NAME						RIGHT ANGLE POWER JACK			PART No. 7_RA SERIES 7_RAH SERIES	
REVISIONS						DO NOT SCALE DRAWING			SHEET 1 OF 1	
REV	ECO NUMBER	DATE	BY	APVD			Switchcraft®			
A	27118	3/19/13	TJK	TJK			REV A			

X-ON Electronics

Largest Supplier of Electrical and Electronic Components

Click to view similar products for [DC Power Connectors](#) category:

Click to view products by [SWITCHCRAFT](#) manufacturer:

Other Similar products are found below :

[RAPC3FG](#) [B04P-VL-VN-1.8](#) [1600206-1](#) [163-0302](#) [163-0310-EX](#) [163-4024](#) [163-4117-EX](#) [163-5005-E](#) [163-7421](#) [171-0721-EX](#) [171-3118-EX](#) [173-23507-ST-EX](#) [KLDVX-SMT-02-ATR](#) [KLDX-SMT-0202-BP](#) [KLDX-SMT-0202-BPTR](#) [163-0179-EX](#) [163-0307-E](#) [163-4119-E](#) [171-0722-E](#) [171-3218-EX](#) [171-7391](#) [173-3413-ST-EX](#) [RAPCBRK](#) [K596](#) [KLD-0201-BC](#) [KLDVX-SMT-02-BTR](#) [KPPX-D](#) [RAPC3MHG](#) [RASM752TRX](#) [163-4800-E](#) [4C6831AX](#) [ACJS-HHDR-AU](#) [TS3PNJ](#) [DC-025LM-5A-2.5](#) [CL14218R](#) [AS250F RED](#) [DC-105-4A-1.6](#) [163-0210A-E](#) [09441 AS120-F](#) [09442 AS120-M](#) [CP30240](#) [TAMIYA-M](#) [TAMIYA-MT1](#) [TAMIYA-MT2](#) [4840.1200](#) [4840.2202](#) [C5080HI-04P-18](#)
[+ C5080HI-C](#) [JC-138](#) [JPO-25 \(FC6814\)](#) [JYO-26 \(FC6811\)](#)