

# JACKS & PLUGS

## LOCKING RIGHT ANGLE POWER JACKS & PLUGS

Switchcraft's miniature Right Angle Locking Power Jack and Plug system is the perfect solution for PC board-mount applications where a quick-and-secure, space saving board mounting method is required. Similar in function to Switchcraft's durable 712 and 722 right-angle products that use precision tolerancing to hold plug and jack together, this system provides additional security by using keyed plugs and slotted jacks to firmly lock the components in place. It's quick, easy, and trouble free. Simply mate the plug to its matching jack, provide a slight hand-twist, and you're done! Available in a variety of configurations, Switchcraft's Right-Angle Locking Jacks and Plugs not only save time and space, but virtually eliminate accidental plug-to-jack decoupling.

## FEATURES AND BENEFITS

- **Quick, Secure, Compact Assembly:** Keyed plugs and slotted jacks provide for a simple and efficient plug-to-jack coupling method. In addition, the jack's board-terminals have been engineered to allow for quick, trouble-free, PC board mounting while the right-angle design allows for a space saving assembly.
- **Durable Construction and Polished Appearance:** Jacks and Plugs are manufactured with high quality materials to maximize product life while providing for a quality appearance.
- **Product Selection:** Available in PC, Surface and Hybrid Mount configurations in 0.100" (2.5mm) and 0.080" (2.0mm) diameters. Plug tips are color coded for easy product distinction. Customs and variations are available, including tape and reel options. Consult factory for details.

## PRODUCT SPECIFICATIONS

### JACKS

**Housing:** Thermoplastic

**PC Mount Terminals:** Silver Plated Copper Alloy

**Surface & Hybrid Mount Terminals:** Tin Plated Copper Alloy

**Handle Thread Size:** 5/16-24 UNF 2B

**Center Pin:** Nickel Plated, Copper Alloy

**Current Rating:** 5A

**Contact Resistance:** <50 mohms

**Insulation Resistance:** 30 megohms @100V DC

**Dielectric Withstanding Voltage:** 250 VAC @ 1 minute

**Lifecycle:** 5,000 min.

**Certifications:** RoHS Compliant

### PLUGS

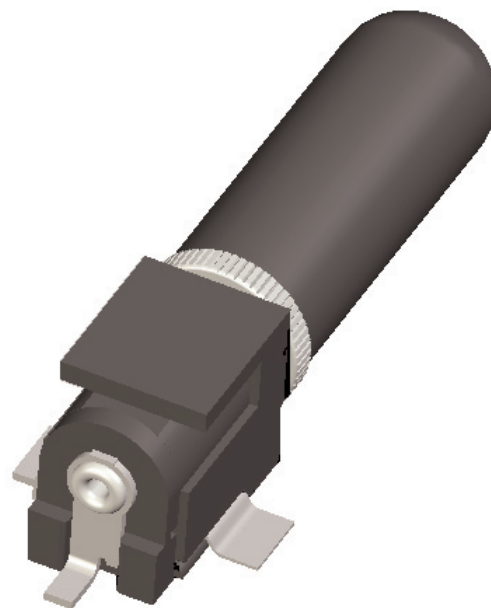
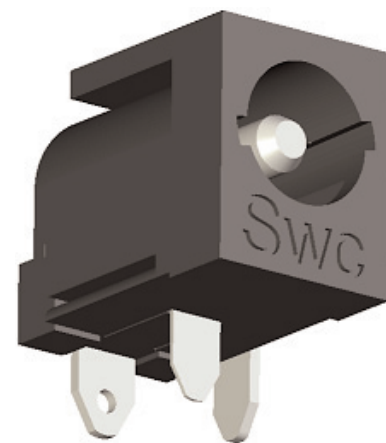
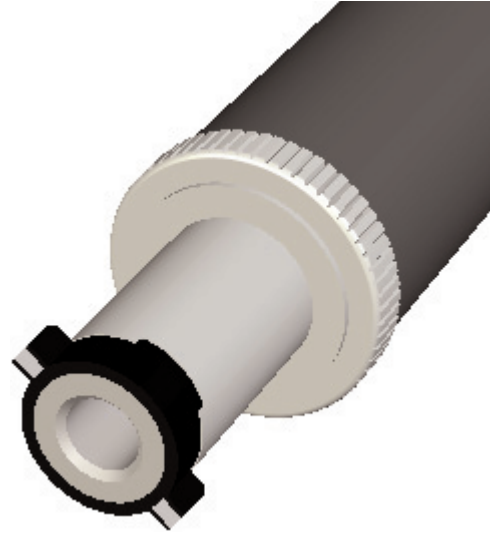
**Plug Pin & Gripping:** Nickel-Plated Copper Alloy

**Finger Insulator Tip & Handle:** Molded Plastic

**Sleeve Terminal:** Copper Alloy, Electro-Tinned

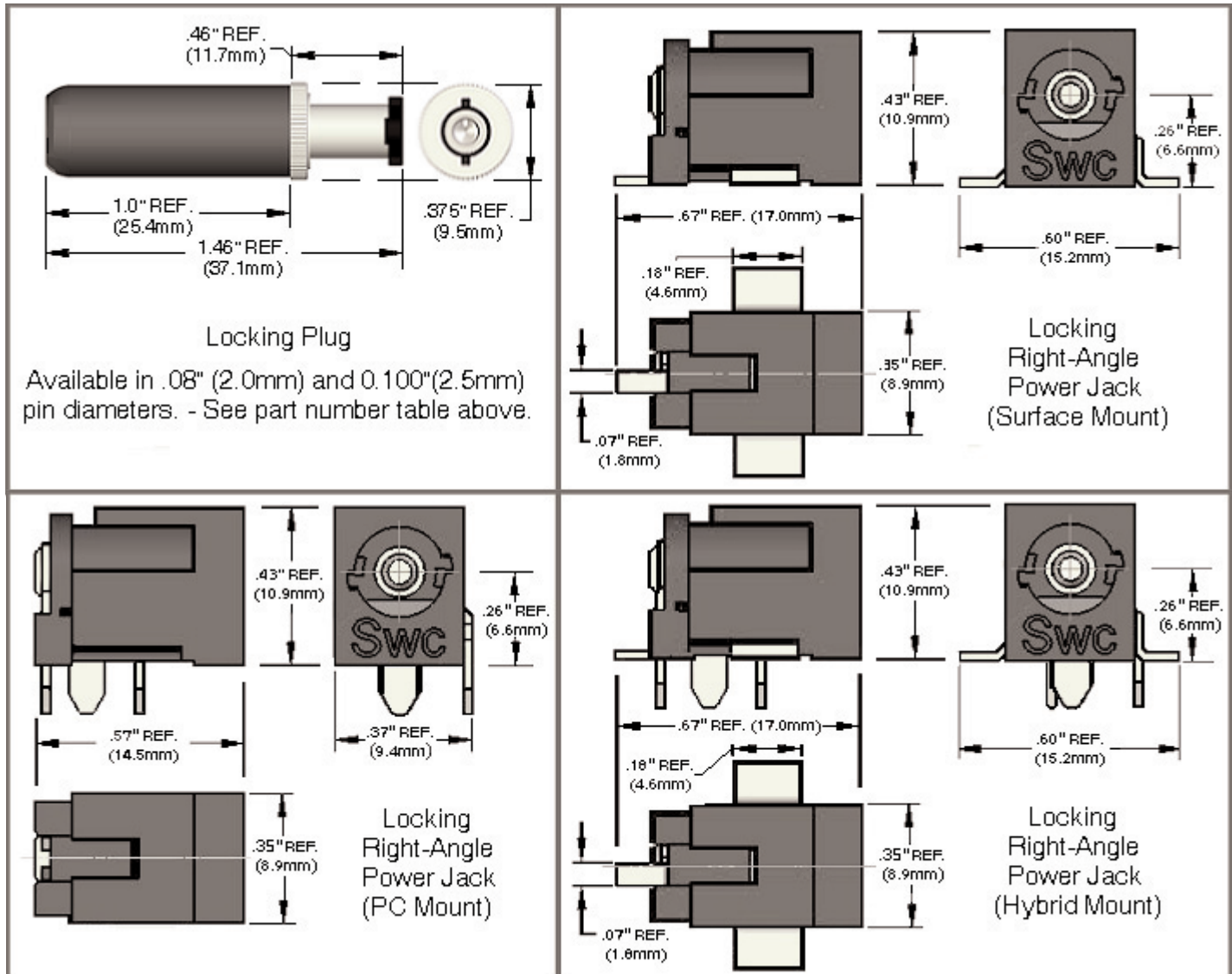
**Current Rating:** 5A

**Certifications:** RoHS Compliant.



## PRODUCT SELECTION AND ORDERING INFORMATION

Power Jack PN's	Pin Size	Description
RAPC712BK	0.100"/2.5mm	Right Angle, PC Mount Jack
RAPC722BK	0.080"/2.0mm	Right Angle, PC Mount Jack
RASM712BK	0.100"/2.5mm	Right Angle, Surface Mount (SMT) Jack
RASM722BK	0.080"/2.0mm	Right Angle, Surface Mount (SMT) Jack
RASH712BK	0.100"/2.5mm	Right Angle, Hybrid Mount (PC & SMT) Jack
RASH722BK	0.080"/2.0mm	Right Angle, Hybrid Mount (PC & SMT) Jack
Locking Plug PN's	Pin Size	Description
760BK	0.100"/2.5mm	Locking Miniature Power Plug; Black Tip Insulator
S760BK	0.080"/2.0mm	Locking Miniature Power Plug, White Tip Insulator



Drawings and photos are for Reference Only (Not to Scale). For additional information regarding product specifications and distributor locations, please visit Switchcraft's website [www.switchcraft.com](http://www.switchcraft.com) or call 773-792-2700.

**Switchcraft®**  
www.switchcraft.com

5555 North Elston Avenue / Chicago, IL 60630  
Phone: 773-792-2700 / Fax: 773-792-2129

Product Bulletin 564; Published October, 2006



## X-ON Electronics

Largest Supplier of Electrical and Electronic Components

*Click to view similar products for [DC Power Connectors](#) category:*

*Click to view products by [Switchcraft](#) manufacturer:*

Other Similar products are found below :

[RAPC3FG](#) [B04P-VL-VN-1.8](#) [1600206-1](#) [163-0302](#) [163-0310-EX](#) [163-4024](#) [163-4117-EX](#) [163-5005-E](#) [163-7421](#) [171-0721-EX](#) [171-3118-EX](#) [173-23507-ST-EX](#) [KLDVX-SMT-02-ATR](#) [KLDX-SMT-0202-BP](#) [KLDX-SMT-0202-BPTR](#) [163-0179-EX](#) [163-0307-E](#) [163-4119-E](#) [171-0722-E](#) [171-3218-EX](#) [171-7391](#) [173-3413-ST-EX](#) [RAPCBRK](#) [K596](#) [KLD-0201-BC](#) [KLDVX-SMT-02-BTR](#) [KPPX-D](#) [RAPC3MHG](#) [RASM752TRX](#) [163-4800-E](#) [4C6831AX](#) [ACJS-HHDR-AU](#) [TS3PNJ](#) [DC-025LM-5A-2.5](#) [CL14218R](#) [AS250F RED](#) [DC-105-4A-1.6](#) [163-0210A-E](#) [09441 AS120-F](#) [09442 AS120-M](#) [CP30240](#) [TAMIYA-M](#) [TAMIYA-MT1](#) [TAMIYA-MT2](#) [4840.1200](#) [4840.2202](#) [C5080HI-04P-18](#)  
[+ C5080HI-C](#) [JC-138](#) [JPO-25 \(FC6814\)](#) [JYO-26 \(FC6811\)](#)