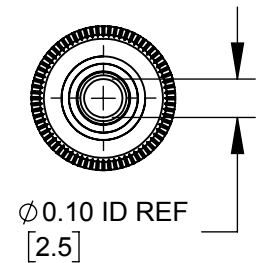
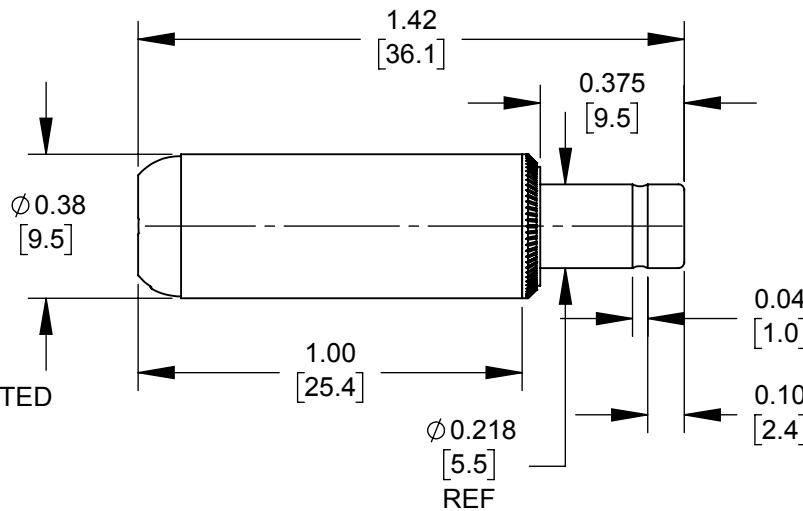
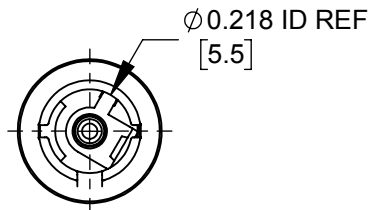


PART NUMBER	HANDLE COLOR
760HZ	BLACK
765HZ	RED



NOTES:

- MATERIALS:  
 CONDUCTORS - COPPER ALLOY, NICKEL PLATED  
 TERMINALS - COPPER ALLOY, TIN PLATED  
 INSULATORS & HANDLE - THERMOPLASTIC
- THIS PRODUCT IS RoHS COMPLIANT.

**CUSTOMER DRAWING**

					THIS DRAWING DESCRIBES A DESIGN CONSIDERED PROPRIETARY IN NATURE, DEVELOPED AND MANUFACTURED BY SWITCHCRAFT INC. AND IS RELEASED ON A CONFIDENTIAL BASIS FOR IDENTIFICATION PURPOSES ONLY.				
					SIZE *	WIDTH *	MULT *	LBS/M *	TEMPER *
					FINISH *			MATERIAL *	
					SPEC No. *			SPEC No. *	
					FIRST USED ON *		SCALE 2:1		
					DATE DRAWN	BY	CHKD	APVD	
					11/06/19	AM	*	*	
REV	ECO NUMBER	DATE	BY	APVD	NAME $\phi$ 0.10 [2.5]mm X 0.374 LONG IMPROVED HT POWER PLUG, RoHS			PART No.	REV
REVISIONS					DO NOT SCALE DRAWING			760HZ-765HZ	0A



## X-ON Electronics

Largest Supplier of Electrical and Electronic Components

*Click to view similar products for [DC Power Connectors](#) category:*

*Click to view products by [SWITCHCRAFT](#) manufacturer:*

Other Similar products are found below :

[RAPC3FG](#) [B04P-VL-VN-1.8](#) [1600206-1](#) [163-0302](#) [163-0310-EX](#) [163-4024](#) [163-4117-EX](#) [163-5005-E](#) [163-7421](#) [171-0721-EX](#) [171-3118-EX](#) [173-23507-ST-EX](#) [KLDVX-SMT-02-ATR](#) [KLDX-SMT-0202-BP](#) [KLDX-SMT-0202-BPTR](#) [163-0179-EX](#) [163-0307-E](#) [163-4119-E](#) [171-0722-E](#) [171-3218-EX](#) [171-7391](#) [173-3413-ST-EX](#) [RAPCBRK](#) [K596](#) [KLD-0201-BC](#) [KLDVX-SMT-02-BTR](#) [KPPX-D](#) [TPCF-140-01-L-Q-4-RA](#) [RAPC3MHG](#) [RASM752TRX](#) [163-4800-E](#) [4C6831AX](#) [TS3PNJ](#) [DC-025LM-5A-2.5](#) [CL14218R](#) [AS250F RED](#) [DC-105-4A-1.6](#) [09441 AS120-F](#) [09442 AS120-M](#) [CP30240](#) [TAMIYA-M](#) [TAMIYA-MT1](#) [TAMIYA-MT2](#) [4840.1200](#) [4840.2202](#) [C5080HI-04P-18 + C5080HI-C](#) [JC-138](#) [JPO-25 \(FC6814\)](#) [JYO-26 \(FC6811\)](#) [JYO-29 \(FC68102\)](#)